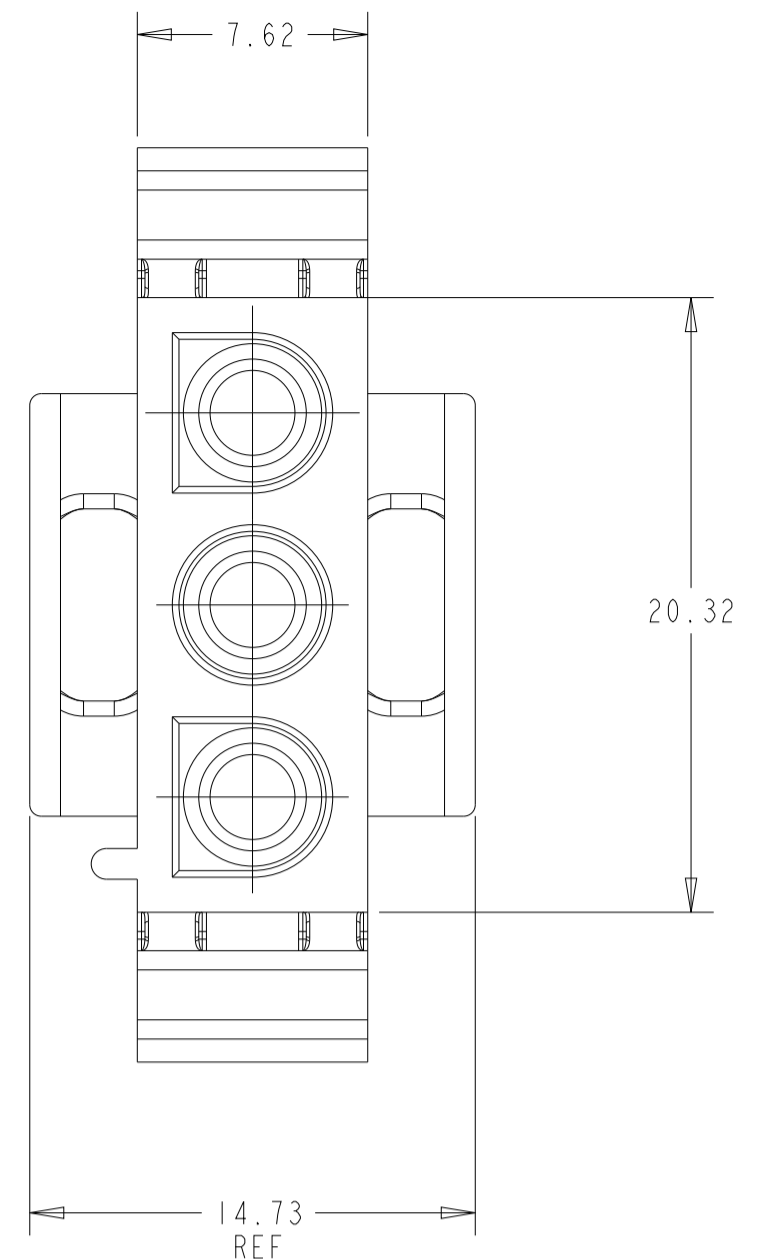
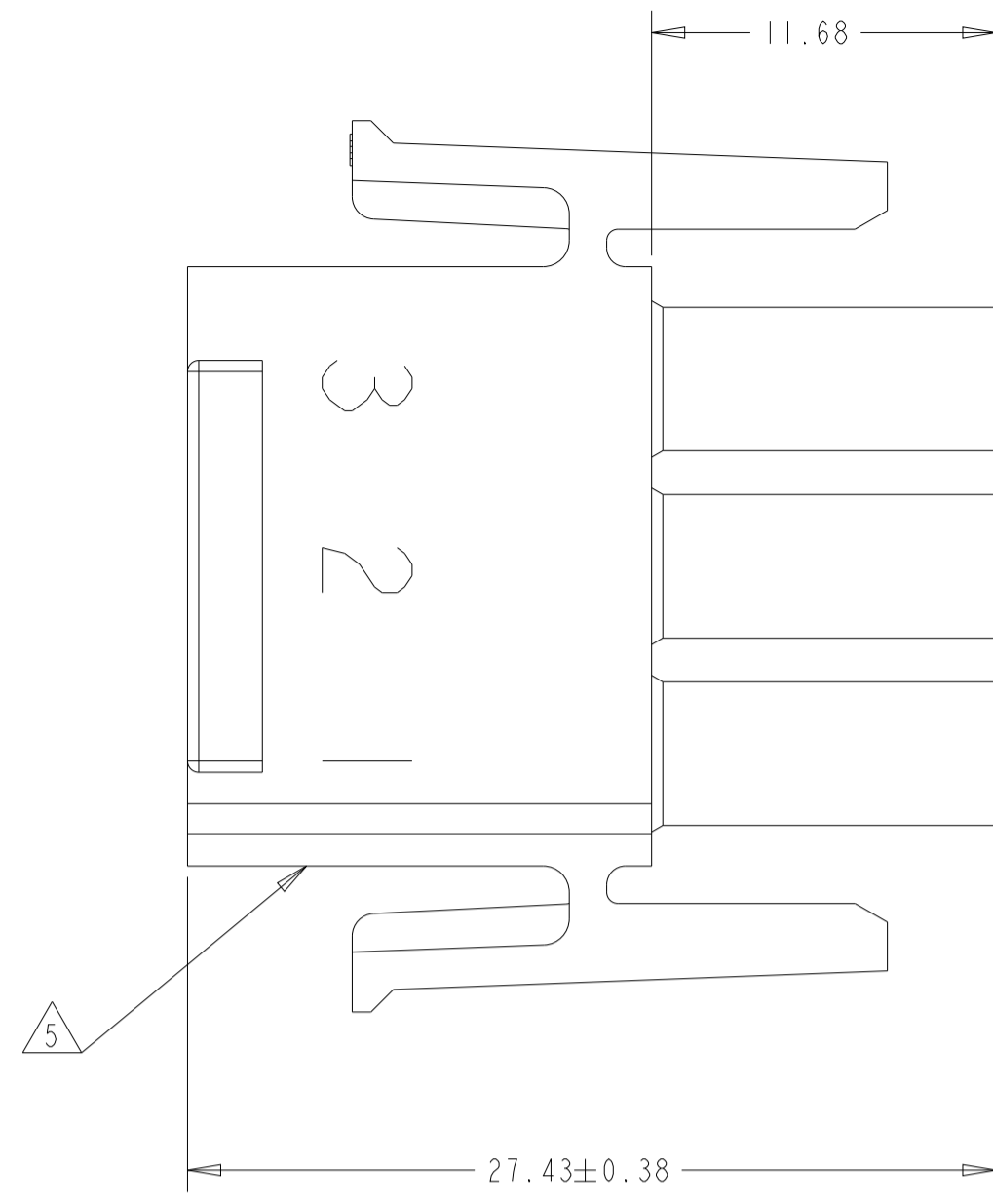
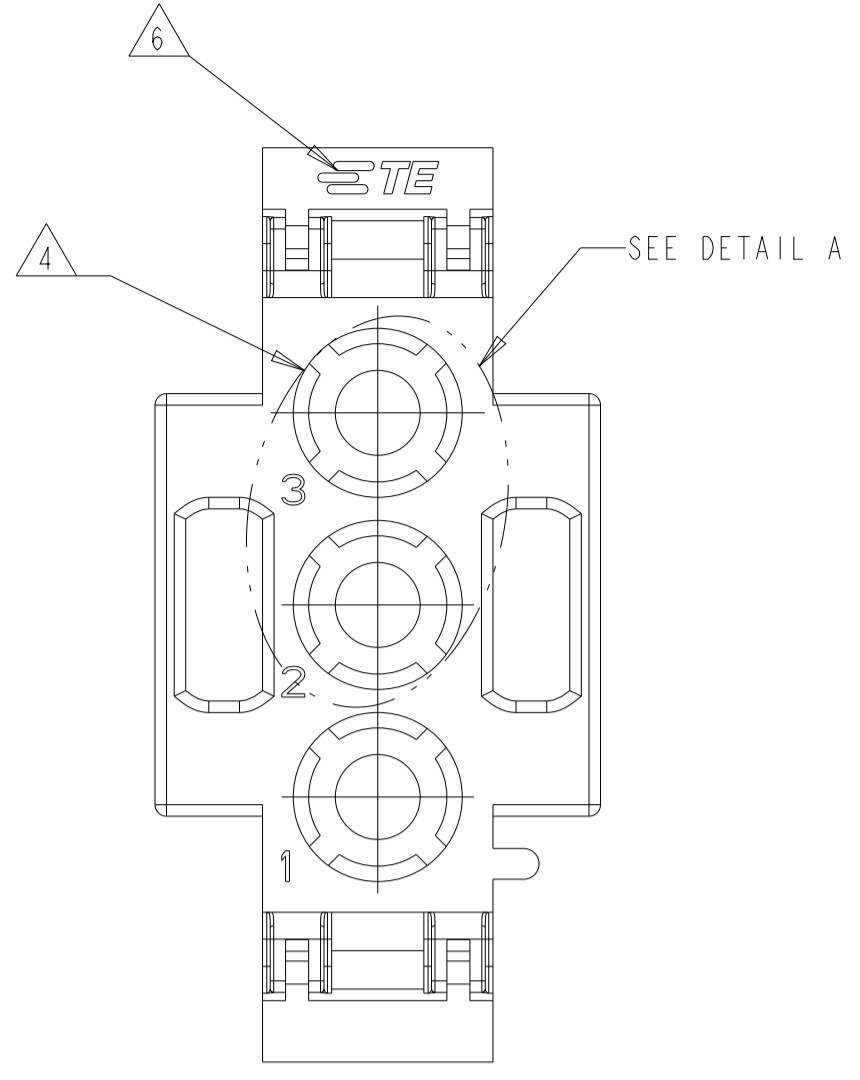
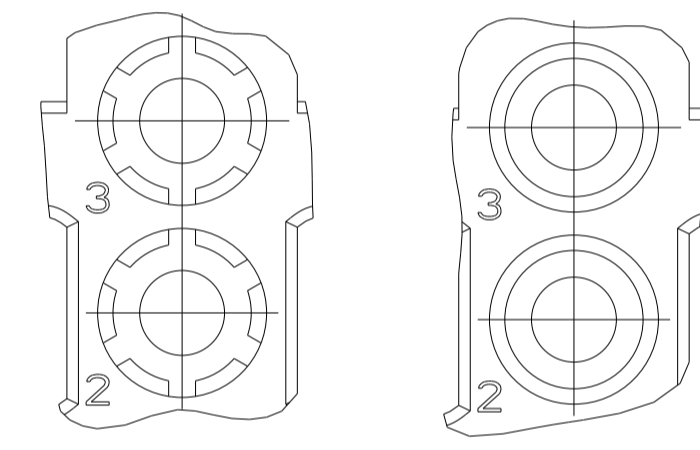
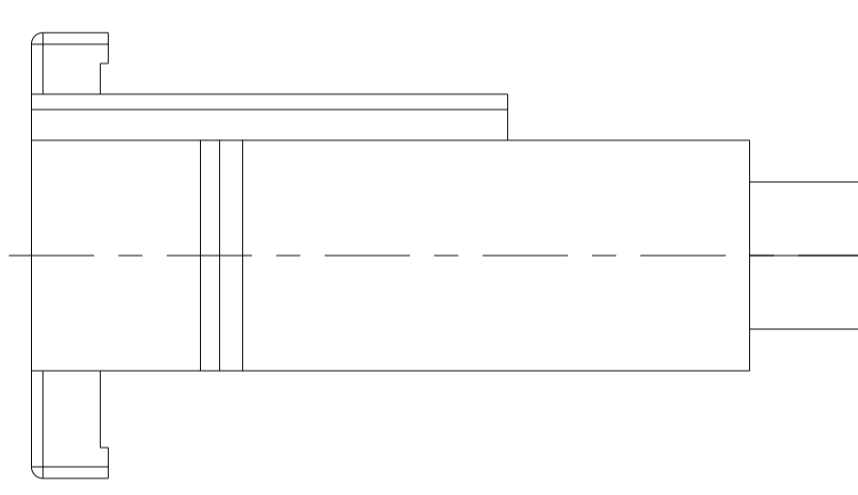


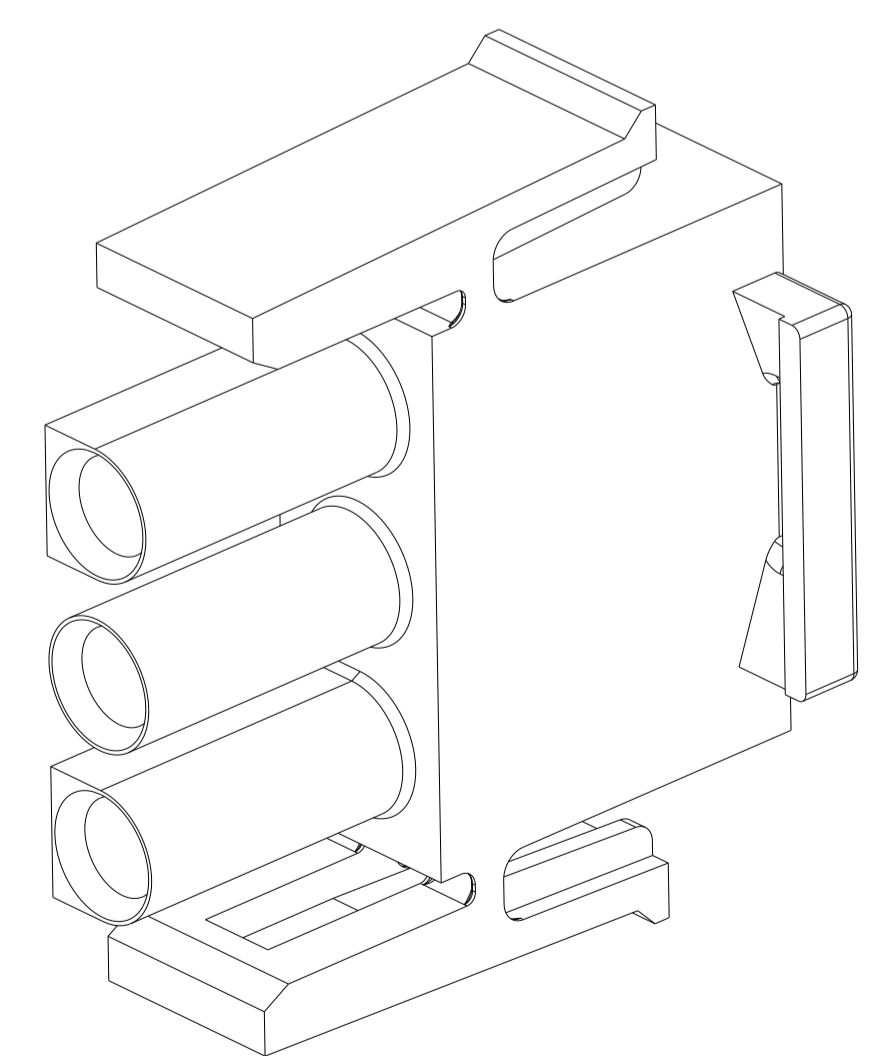
REVISIONS					
P	LTN	DESCRIPTION	DATE	OWN	APVD
AS		REVISED PER ECR-19-011518	28AUG2019	BDA	SF
AT		REVISED PER ECR-24-224423	24OCT2024	AK	BR



- MATES WITH APPROPRIATE UNIVERSAL MATE-N-LOCK™ CAP OR HEADER.
 - SMALL NICKS ARE PERMITTED ON THE CIRCUIT TOWER WHICH COULD INCREASE THE INITIAL HOUSING MATING FORCE BY UP TO 4.4 NEWTONS (1.0 LBS.). NO INDIVIDUAL NICKED TOWER SHALL INCREASE THIS FORCE BY OVER 2.2 NEWTONS (.5 LBS).
 - DIMENSIONS SHOWN REPRESENT PRODUCT IN DRY, AS MOLDED, CONDITION. ADDITIONAL 2% GROWTH DUE TO SUBSEQUENT MOISTURE ABSORPTION MAY OCCUR AND SHOULD BE ACCOUNTED FOR.
- △ 4 FOUR RIBS EQUALLY SPACED, NO SPECIFIC ORIENTATION. NO RIBS OR SIX RIBS EQUALLY SPACED, NO SPECIFIC ORIENTATION, OPTIONAL.
 - △ 5 UNDERWRITERS RECOGNIZED COMPONENT LOGO AND CSA CERTIFICATION LOGO TO BE LOCATED ONCE ON ANY SIDE OF HOUSING.
 - △ 6 SHOWN FOR CONVENIENCE: AMP OR TE LOGO MAY BE ON ANY EXTERNAL SURFACE.



DETAIL A
OPTIONAL CONSTRUCTIONS

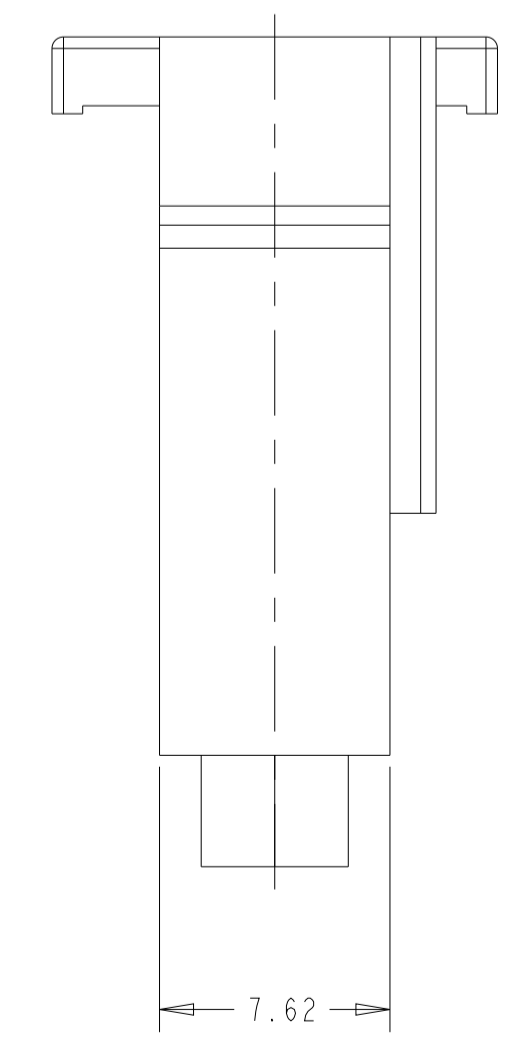
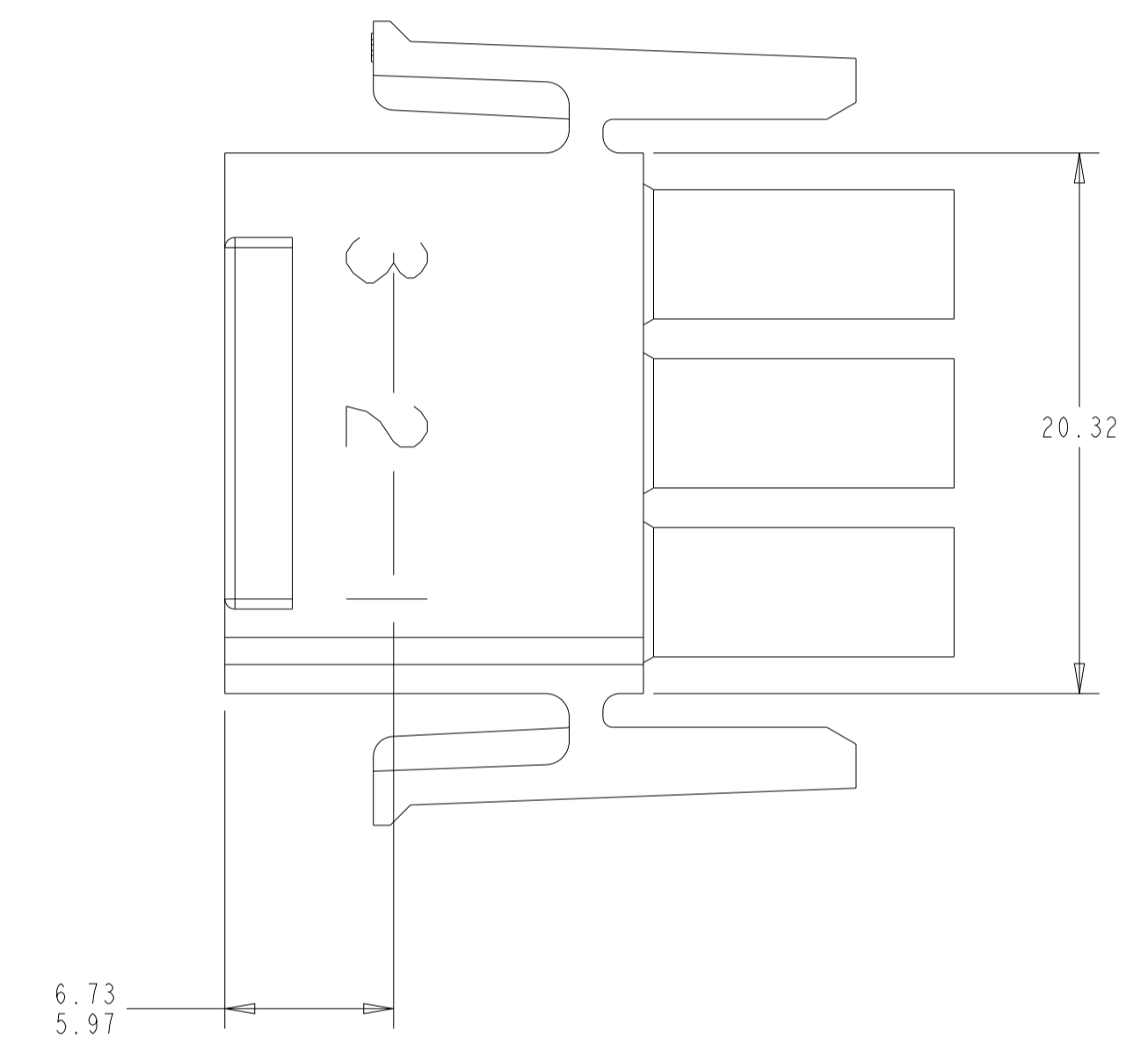
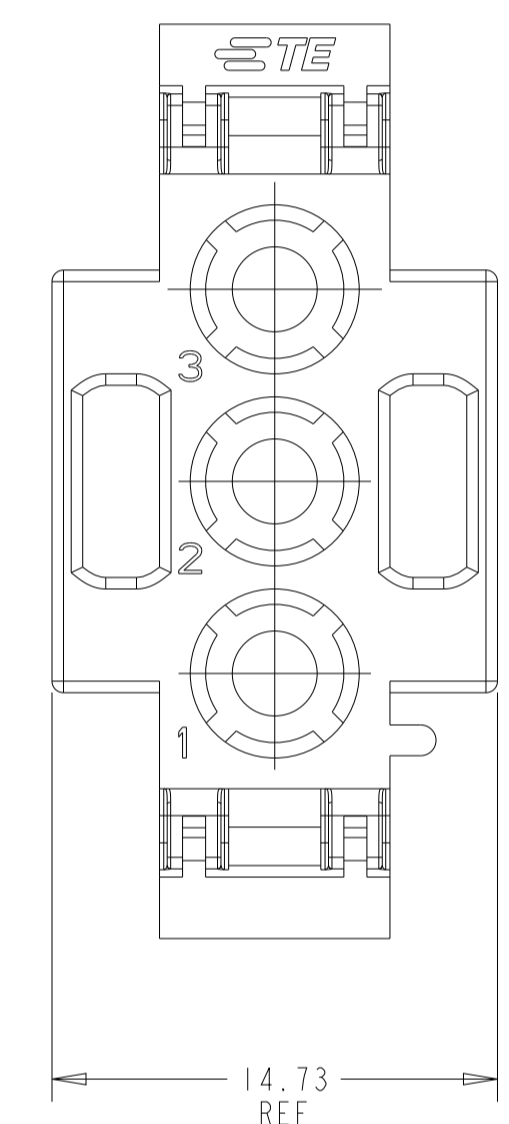
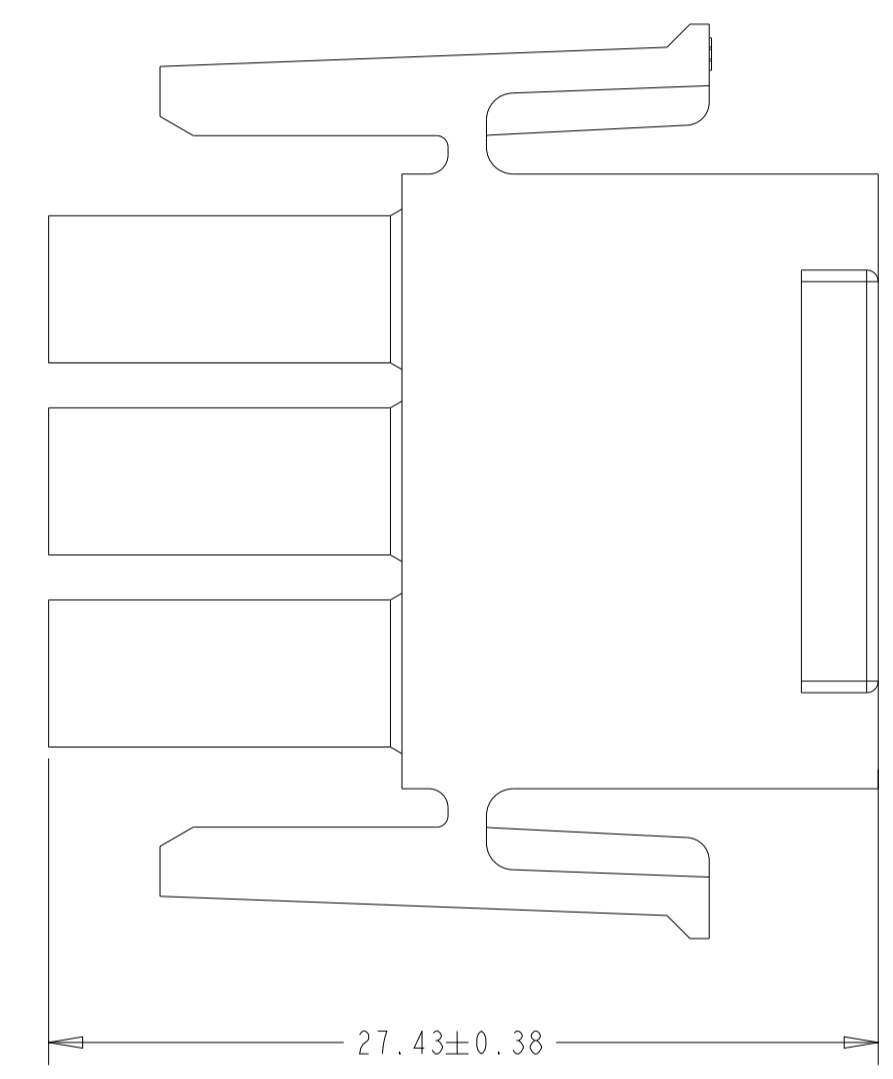
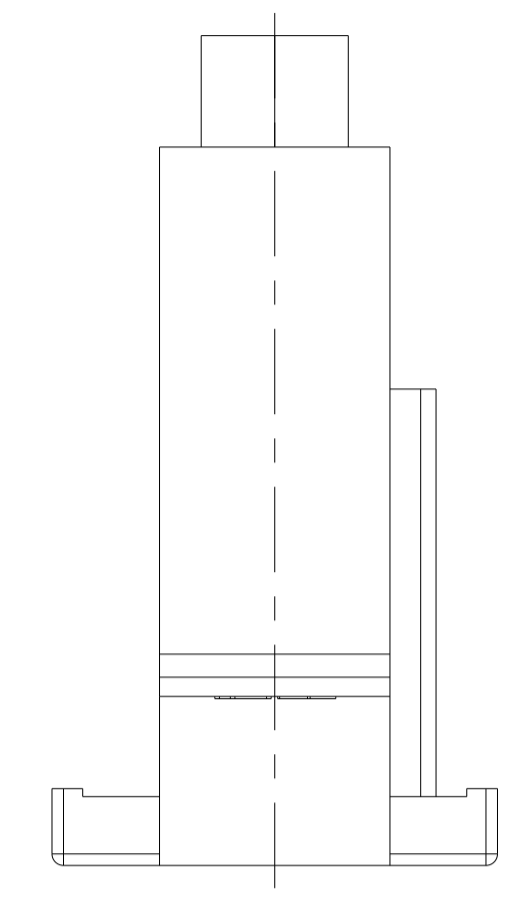


BLACK	1-480700-9
GRAY	1-480700-8
BLUE	1-480700-6
GREEN	1-480700-5
YELLOW	1-480700-4
ORANGE	1-480700-3
RED	1-480700-2
BROWN	1-480700-1
NATURAL	1-480700-0
COLOR	PART NUMBER

THIS DRAWING IS A CONTROLLED DOCUMENT.		OWN: B. WEAVER 08MAY2019	TE Connectivity NAME: PLUG, 3 CIRCUIT, UNIVERSAL MATE-N-LOCK
DIMENSIONS: mm		CHK: S. FERNANDES 08MAY2019	
TOLERANCES UNLESS OTHERWISE SPECIFIED: 0 PLC ± 1 PLC ± 2 PLC ±0.13 3 PLC ± 4 PLC ± ANGLES ±40°/30° FINISH -		APVD: T. BENCHOFF 08MAY2019	
MATERIAL: NYLON UL 94V-2		APPLIC. SPEC: -	RESTRICTED TO: -
CUSTOMER DRAWING		SIZE: A 00779 C=480700	SCALE: 4:1 SHEET 1 OF 2 REV: AT

REVISIONS				
P	LTN	DESCRIPTION	DATE	APVD
-		SEE SHEET 1	-	-

1. MOLD NUMBERS APPROXIMATELY 3mm HIGH AT WIRE END OF HOUSING (12 POINT DAVID TYPE).
2. CHARACTERS TO BE MOLD ON HOUSING IN A MANNER AS TO BE READ FROM WIRE END ONLY.



SUPERSEDED BY 1-480700-0	NATURAL	2-480700-0
	COLOR	PART NUMBER

THIS DRAWING IS A CONTROLLED DOCUMENT.		DWN B. WEAVER 08MAY2019 CHK S. FERNANDES 08MAY2019 APVD T. BENCHOFF 08MAY2019	NAME PLUG, 3 CIRCUIT, UNIVERSAL MATE-N-LOCK PRODUCT SPEC - APPLICATION SPEC - SIZE CAGE CODE DRAWING NO. A 00779 C=480700 WEIGHT - CUSTOMER DRAWING		RESTRICTED TO - SCALE 4:1 SHEET 2 OF 2 REV AT
DIMENSIONS: mm TOLERANCES UNLESS OTHERWISE SPECIFIED: 0 PLC ± 1 PLC ± 2 PLC ±0.13 3 PLC ± 4 PLC ± ANGLES ± FINISH ±0°30'		TE Connectivity 4805 (3/13)			