



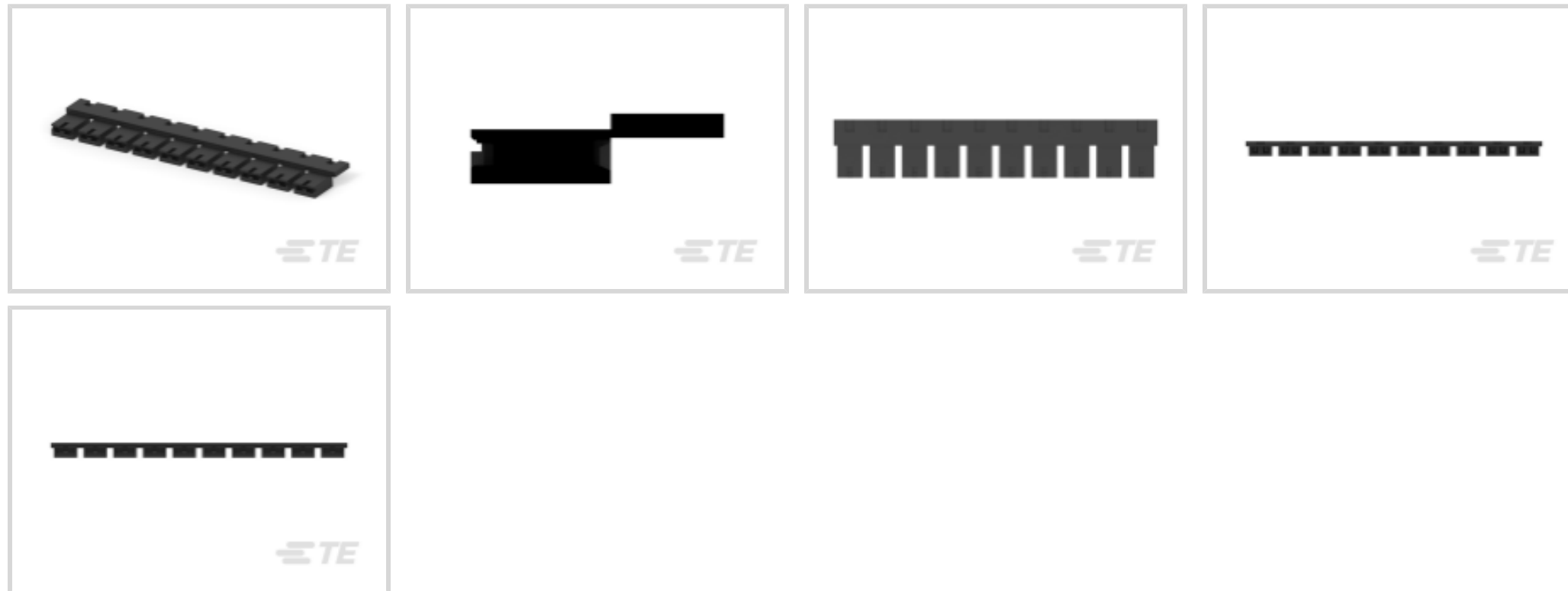
AMP

TE Internal #: 2-382811-1

Economy, Open Top, 2 Position, 2.54 mm [.1 in] Centerline, Signal, -40 – 85 °C [-40 – 185 °F], Board-to-Board Jumpers & Shunts

[View on TE.com >](#)

Connectors > PCB Connectors > Board-to-Board Connectors > Board-to-Board Jumpers & Shunts



Shunt Type: **Economy**

Shunt Style: **Open Top**

Number of Positions: **2**

Centerline (Pitch): **2.54 mm [.1 in]**

Contact Current Rating (Max): **3 A**

Features

Contact Features

Shunt Type	Economy
Shunt Style	Open Top
Contact Current Rating (Max)	3 A
Contact Mating Area Plating Material	Tin
Contact Base Material	Phosphor Bronze
Contact Mating Area Plating Material Thickness	2.54 µm[100 µin]

Configuration Features

Number of Positions	2
---------------------	---

Housing Features

Centerline (Pitch)	2.54 mm[.1 in]
Housing Material	Polyester - GF

Operation/Application

Circuit Application	Signal
---------------------	--------

Usage Conditions



Operating Temperature Range	-40 – 85 °C[-40 – 185 °F]
-----------------------------	---------------------------

Other

EU RoHS Compliance	Compliant
--------------------	-----------

EU ELV Compliance	Compliant
-------------------	-----------

Product Type Features

Connector & Contact Terminates To	Printed Circuit Board
-----------------------------------	-----------------------

Connector System	Board-to-Board
------------------	----------------

Electrical Characteristics

Insulation Resistance	1000 MΩ
-----------------------	---------

Body Features

Primary Product Color	Black
-----------------------	-------

Handle	Without
--------	---------

Dimensions

Product Height	6.35 mm[.25 in]
----------------	-----------------

Industry Standards

UL Flammability Rating	UL 94V-0
------------------------	----------

Compatible With Approved Standards Products	UL Recognized
---	---------------

Packaging Features

Jumper & Shunt Packaging	Breakaway Strip of 10 Pieces
--------------------------	------------------------------

Packaging Method	Box
------------------	-----

Packaging Quantity	1500
--------------------	------

Product Compliance

[For compliance documentation, visit the product page on TE.com>](#)

EU RoHS Directive 2011/65/EU	Compliant
------------------------------	-----------

EU ELV Directive 2000/53/EC	Compliant
-----------------------------	-----------

China RoHS 2 Directive MIIT Order No 32, 2016	No Restricted Materials Above Threshold
---	---

EU REACH Regulation (EC) No. 1907/2006	Current ECHA Candidate List: JUNE 2024 (241) Candidate List Declared Against: JUNE 2024 (241) Does not contain REACH SVHC
--	---

Halogen Content	Not Low Halogen - contains Br or Cl > 900 ppm.
-----------------	--



Solder Process Capability

Not applicable for solder process capability

Product Compliance Disclaimer

This information is provided based on reasonable inquiry of our suppliers and represents our current actual knowledge based on the information they provided. This information is subject to change. The part numbers that TE has identified as EU RoHS compliant have a maximum concentration of 0.1% by weight in homogenous materials for lead, hexavalent chromium, mercury, PBB, PBDE, DBP, BBP, DEHP, DIBP, and 0.01% for cadmium, or qualify for an exemption to these limits as defined in the Annexes of Directive 2011/65/EU (RoHS2). Finished electrical and electronic equipment products will be CE marked as required by Directive 2011/65/EU. Components may not be CE marked. Additionally, the part numbers that TE has identified as EU ELV compliant have a maximum concentration of 0.1% by weight in homogenous materials for lead, hexavalent chromium, and mercury, and 0.01% for cadmium, or qualify for an exemption to these limits as defined in the Annexes of Directive 2000/53/EC (ELV). Regarding the REACH Regulation, the information TE provides on SVHC in articles for this part number is based on the latest European Chemicals Agency (ECHA) 'Guidance on requirements for substances in articles' posted at this URL: <https://echa.europa.eu/guidance-documents/guidance-on-reach>

Compatible Parts



TE Part # 5-146282-2
02 MODII HDR SRST B/A .100CL



TE Part # 5-146274-2
02 MODII HDR SRST B/A .100CL



TE Part # 5-146278-2
02 MODII HDR SRST B/A .100CL

Customers Also Bought




TE Part # 5499786-1
A/L UNIV HDR 10P RA LG LAT



TE Part # 5532600-4
CONN SEC II 31 POS 100 C/L R/A



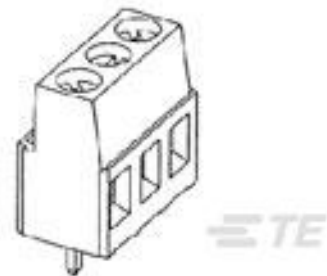
TE Part # 1734366-2
Std USB Type A, VT, T/H, White



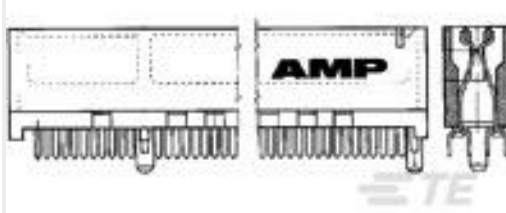
TE Part # 177619-1
AMPLIMITE SCREW LOCK



TE Part # 292174-8
CT BOX HDR V SMT 8P O/TAPE NAT



TE Part # 796683-6
TERMI-BLOK PCB MOUNT 90 6P.



TE Part # 5650090-1
STANDARD EDGE .050 SERIES 56
DUAL ASSY

Documents

[Product Drawings](#)
[SHUNT, ECON, PHBRSN, BLACK](#)



English

CAD Files

3D PDF

3D

Customer View Model

[ENG_CVM_CVM_2-382811-1_P.2d_dxf.zip](#)

English

Customer View Model

[ENG_CVM_CVM_2-382811-1_P.3d_igs.zip](#)

English

Customer View Model

[ENG_CVM_CVM_2-382811-1_P.3d_stp.zip](#)

English

By downloading the CAD file I accept and agree to the [Terms and Conditions](#) of use.

Product Specifications

Product Specification

English