



AFBR-S20M2xx: Qmini Spectrometer Series

Qmini Miniature Spectrometer

Data Sheet

Copyright © 2023 Broadcom. All Rights Reserved. The term “Broadcom” refers to Broadcom Inc. and/or its subsidiaries. For more information, go to www.broadcom.com. All trademarks, trade names, service marks, and logos referenced herein belong to their respective companies.

Broadcom reserves the right to make changes without further notice to any products or data herein to improve reliability, function, or design. Information furnished by Broadcom is believed to be accurate and reliable. However, Broadcom does not assume any liability arising out of the application or use of this information, nor the application or use of any product or circuit described herein, neither does it convey any license under its patent rights nor the rights of others.

Chapter 1: Overview	4
1.1 Ordering Information	4
1.2 Features	5
1.3 Applications	5
Chapter 2: Specifications	6
2.1 Absolute Maximum Ratings	6
2.2 Optical Specifications	7
2.3 Electrical Specifications	8
2.4 Mechanical Specifications	9
2.5 Technical Drawing	9
2.6 Auxiliary Connector	10
Chapter 3: Operation	12
3.1 Trigger	12
3.1.1 Trigger Modes	12
3.1.2 Trigger Pins	15
3.2 Communication Interfaces	15
3.2.1 USB	16
3.2.2 UART	16
3.2.3 SPI	16
3.3 Other Signals on the Auxiliary Connector	17
3.4 LEDs	17
3.5 Spectrum Processing	18
3.6 Calibration	18
3.7 Exchangeable Entrance Slit	18
Chapter 4: Software	20
4.1 WAVES Spectroscopy Software	20
4.2 Software Development Kit	20
4.3 Software Updates	20
Chapter 5: Technical Support	21
5.1 Package Contents	21
5.2 Customization	21
5.3 Getting Help	21
5.4 Troubleshooting	21
5.4.1 Green and Red LEDs Are Continuously Lit	21
5.4.2 Software Cannot Find the Device	21
Revision History	22
AFBR-S20M2xx-Qmini-DS100; August 22, 2023	22

Chapter 1: Overview

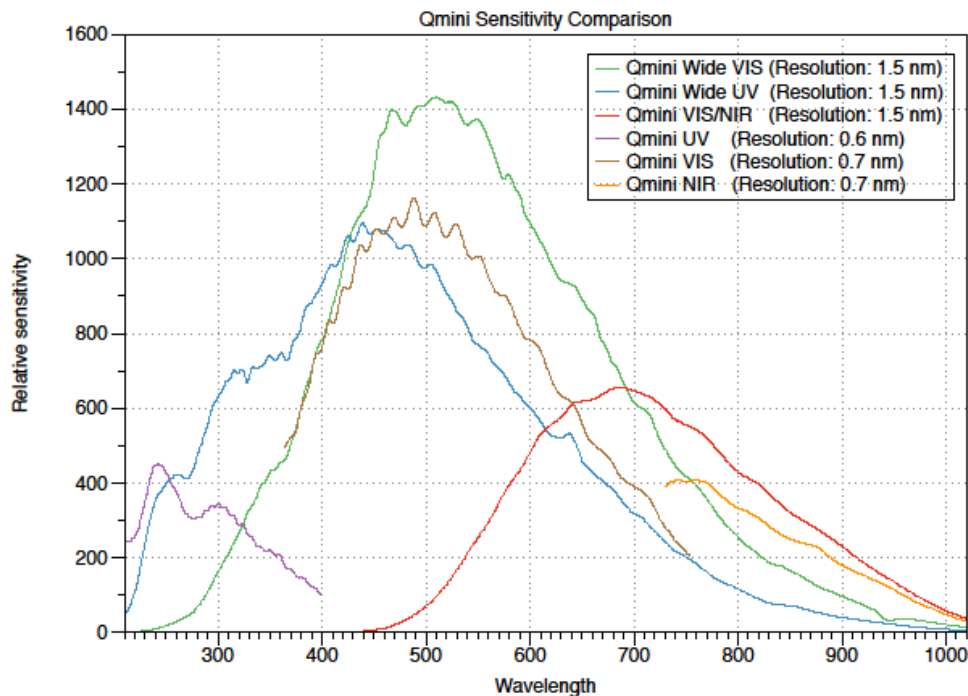
Spectroscopy is a powerful tool used to analyze the properties of materials and substances based on their interaction with light. In process analytics, mini spectrometers are used to monitor and control chemical reactions, assess the quality of materials, and optimize production processes. This chapter provides an overview of the different Qmini models, their specifications, possible applications, and package content.

1.1 Ordering Information

Broadcom spectrometers detect light from the very low ultraviolet wavelengths starting at 190 nm up to signals that appear in ranges up to 1700 nm in the near infrared region. The matchbox-sized Qmini AFBR-S20M2xx product line is available in six different wavelengths configurations.

Part Number	Description	Wavelength Range	Typical Spectral Resolution (FWHM)	Blaze Wavelength
AFBR-S20M2UV	Qmini UV	220 nm to 400 nm	0.5 nm	300 nm
AFBR-S20M2VI	Qmini VIS	370 nm to 750 nm	0.8 nm	500 nm
AFBR-S20M2NI	Qmini NIR	730 nm to 1080 nm	0.8 nm	1000 nm
AFBR-S20M2WU	Qmini wideUV (Sensitivity optimized at 300 nm)	225 nm to 1000 nm	1.5 nm	300 nm
AFBR-S20M2WV	Qmini wideVIS (Sensitivity optimized at 500 nm)	225 nm to 1000 nm	1.5 nm	500 nm
AFBR-S20M2VN	Qmini VIS/NIR	480 nm to 1100 nm	1.5 nm	1000 nm

Figure 1: Sensitivity Overview



1.2 Features

This miniature spectrometer is designed for flexible integration where space is limited. The Qmini offers high optical performance, is proven in industrial surroundings, and features the following:

- Miniature design
- High spectral resolution
- High sensitivity and dynamic range
- Exceptional thermal stability
- 2500-pixel linear CCD-Sensor
- Optical input via an SMA fiber connector or free focused beam
- User changeable entrance slit (using SlitKit AFBR-S20SK-V2)
- Four I/O channels for external triggering, shutter control, and general-purpose I/O (GPIO)
- Analog input and output
- USB 2.0 (high speed), UART, and SPI communication interfaces
- Calibration data stored in internal memory
- Full processing of spectra in the device
- Averaging and smoothing
- Internal buffering of up to 3000 spectra
- Identical communication protocol for all interfaces

1.3 Applications

Broadcom spectrometers are the ideal tool for many optical measurement applications, such as the following:

- Light analysis
- Chemical research
- Raman spectroscopy
- Color measurement
- Quality control
- Counterfeit detection
- Environmental analysis
- Forensic analysis
- System integration
- Process control and monitoring

Chapter 2: Specifications

This chapter describes the full technical details of the Qmini product line including optical, electrical, and mechanical specifications.

2.1 Absolute Maximum Ratings

Parameter	Symbol	Conditions	Min.	Max.	Unit	Notes
Supply Voltage	V_{DD}	—	-0.5	+5.5	V	a
Input Voltage	V_I	Trigger-I/O 0 – 3 and analog input	-0.3	+3.6	V	
		All other pins on the auxiliary connector; $V_{DD} = 0V$	-0.3	+3.6	V	
		All other pins on the auxiliary connector; $V_{DD} = +5V$	-0.3	+5.5	V	a
Analog Input Voltage	V_{IA}	—	-0.3	+3.6	V	
Storage Temperature	T_{STG}	—	-25	70	°C	
Operating Temperature	T_{OP}	Non-condensing	-15	60	°C	

a. V_{DD} supplied via USB or pin 1 (+5V_AUX_IN) on the auxiliary connector.

2.2 Optical Specifications

$V_{DD} = +5V$, $T_{amb} = 25^{\circ}C$, unless otherwise specified.

Parameter	Symbol	Conditions	Min.	Typ.	Max.	Unit	Notes
Wavelength Range	R_{λ}	AFBR-S20M2UV	220	—	400	nm	
		AFBR-S20M2VI	370	—	750		
		AFBR-S20M2NI	730	—	1080		
		AFBR-S20M2WU	225	—	1000		
		AFBR-S20M2WV	225	—	1000		
		AFBR-S20M2VN	480	—	1100		
Resolution (FWHM)	RES	AFBR-S20M2UV	—	0.5	—	nm	a
		AFBR-S20M2VI	—	0.8	—		
		AFBR-S20M2NI	—	0.8	—		
		AFBR-S20M2WU	—	1.5	—		
		AFBR-S20M2WV	—	1.5	—		
		AFBR-S20M2VN	—	1.5	—		
Wavelength Accuracy	—	AFBR-S20M2UV	—	0.2	—	nm	
		AFBR-S20M2VI	—	0.3	—		
		AFBR-S20M2NI	—	0.3	—		
		AFBR-S20M2WU	—	0.5	—		
		AFBR-S20M2WV	—	0.5	—		
		AFBR-S20M2VN	—	0.5	—		
Thermal Wavelength Drift	—	AFBR-S20M2UV	—	0.003	—	nm/ $^{\circ}C$	
		AFBR-S20M2VI	—	0.007	—		
		AFBR-S20M2NI	—	0.006	—		
		AFBR-S20M2WU	—	0.013	—		
		AFBR-S20M2WV	—	0.013	—		
		AFBR-S20M2VN	—	0.011	—		
Pixel Count	—	—	—	2500	—	pixel	
Focal Length	—	—	—	50	—	mm	
Width of Entrance Slit	—	—	—	20	—	μm	b
Numerical Aperture	NA	—	—	0.1	—	—	
Dynamic Range	DR	Single acquisition	—	1300:1	—	—	c
Bad Pixel	—	—	—	0	0.3	%	d
Signal-to-Noise Ratio	SNR	Value for each single pixel	—	200:1	—	—	e
Stray Light	SL	—	—	0.1	—	%	f
Exposure Time	T_{EXP}	—	0.000003	—	600	s	
Trigger-to-Exposure Jitter	$Jitter_{Trigger}$	For continuous synchronous trigger	0	—	T_{EXP}	μs	g

- Valid only with a slit width of 20 μm .
- The standard slit width is 20 μm . Other slit widths are available for OEM customers and as part of the Broadcom slit evaluation kit part number AFBR-S20SK-V2.
- DR (dynamic range) is defined as follows:
DR = saturation value / average readout noise
- A hot or cold pixel is defined as a bad pixel. Two or more adjacent pixels are not allowed. The value refers to the complete pixel number of the used sensor.
- SNR (signal-to-noise ratio) per pixel averaged over 100 single spectra is defined as follows:
SNR = saturation value / RMS noise
- Measured with Long-Pass-Filter $\lambda_{CutOn} = 645$ nm, RG645 for configurations, where applicable.
- T_{EXP} means the current adjusted exposure time for exposing this spectrum.

2.3 Electrical Specifications

$V_{DD} = +5V$, $T_{amb} = 25^{\circ}C$, unless otherwise specified.

Parameter	Symbol	Conditions	Min.	Typ.	Max.	Unit	Notes
Supply Voltage	V_{DD}	—	+4.5	+5.0	+5.5	V	a
Input Voltage	V_I	Trigger-I/O 0 – 3 and analog input	0	—	3.3	V	
		Enable USB input	0	—	5.0	V	
		All other pins on the auxiliary connector; $V_{DD} = 0V$	0	—	3.3	V	
		All other pins on the auxiliary connector; $V_{DD} = +5V$	0	—	5.0	V	a
HIGH-Level Input Voltage	V_{IH}	Trigger-I/O 0 – 3	2.1	—	—	V	
		All other pins on the auxiliary connector; $V_{DD} = +5V$	2.1	—	—	V	a
LOW-Level Input Voltage	V_{IL}	—	—	—	0.7	V	
HIGH-Level Output Voltage	V_{OH}	—	2.6	3.3	—	V	
LOW-Level Output Voltage	V_{OL}	—	—	0	0.5	V	
Supply Current	I_I	—	—	150	—	mA	a b
Output Current	I_O	On pin 30 of the auxiliary connector	—	—	300	mA	
		All other pins on the auxiliary connector	6	—	—	mA	
		Trigger-I/O 0 – 3	—	—	0.8	mA	
Analog Input Voltage	V_{IA}	—	0	—	3.3	V	
Analog Output Voltage	V_{OA}	—	0	—	3.3	V	
Output Voltage	$V_{OUT-AUX}$	On pin 30 of the auxiliary connector	+4.5	+5.0	+5.5	V	a
A/D Resolution	—	—	—	16	—	Bit	
A/D Sample Rate	—	—	—	1	—	MSa/s	
A/D Readout Time	—	Readout time of all pixels from the sensor	—	2.547	—	ms	
Pulsed Output Cycle Period	T_{PWMCP}	On each trigger-I/O	2000	50000	512000	μs	
Pulsed Output Duty Cycle	T_{PWMDC}	On each trigger-I/O	49	50	51	%	
UART Baud Rate	BR_{UART}	See Section 3.2.2, UART , for more details	300	57600	3000000	baud	
SPI Bit Rate	BR_{SPI}	See Section 3.2.3, SPI , for more details	1	—	10	MHz	
Time to Reset the Device	T_{Reset}	Active low	1	—	—	ms	

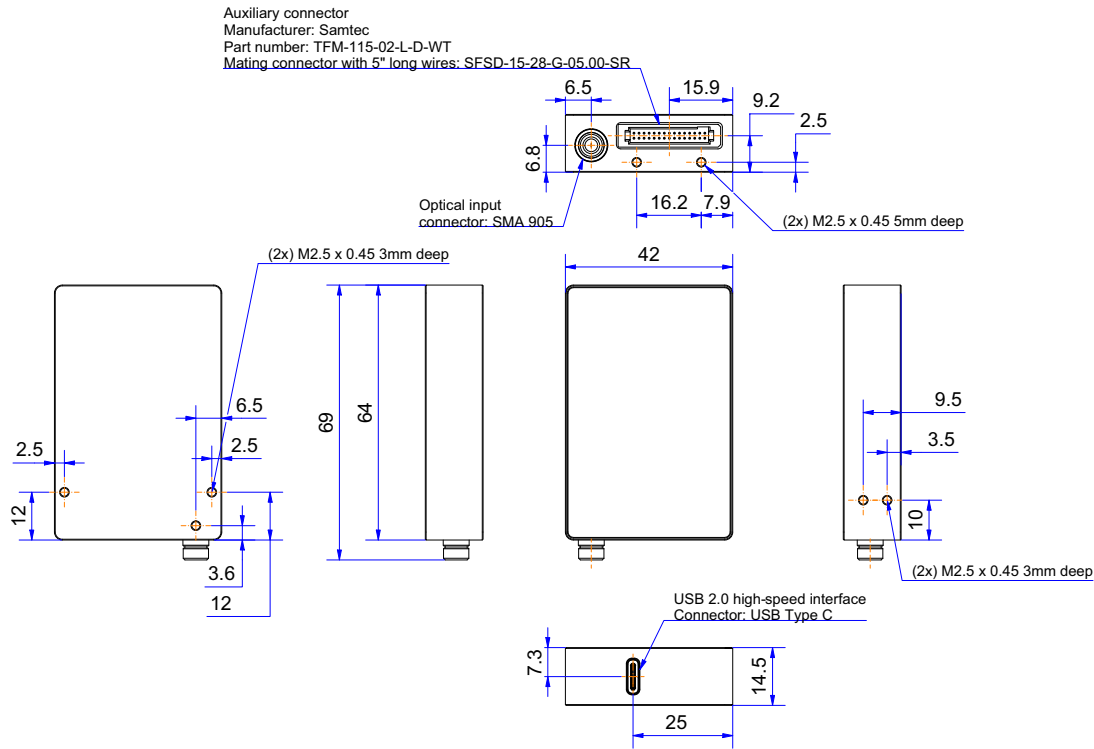
a. V_{DD} supplied via USB or pin 1 (+5V_AUX_IN) on the auxiliary connector.

b. Device initialized and taking spectra; no additional connection or external load on the auxiliary connector.

2.4 Mechanical Specifications

Parameter	Symbol	Conditions	Typical	Unit
Weight	M	—	60	g
Dimensions	—	(L × W × H)	64.0 × 42.0 × 14.5	mm
Optical Input Connector	—	—	SMA 905	—

2.5 Technical Drawing



NOTE: All dimensions in mm. 3D CAD files are available for download.

2.6 Auxiliary Connector

The front-side connector of the spectrometer provides different input and output signals such as trigger-I/Os and standard serial communication interfaces such as USB, SPI, and UART.

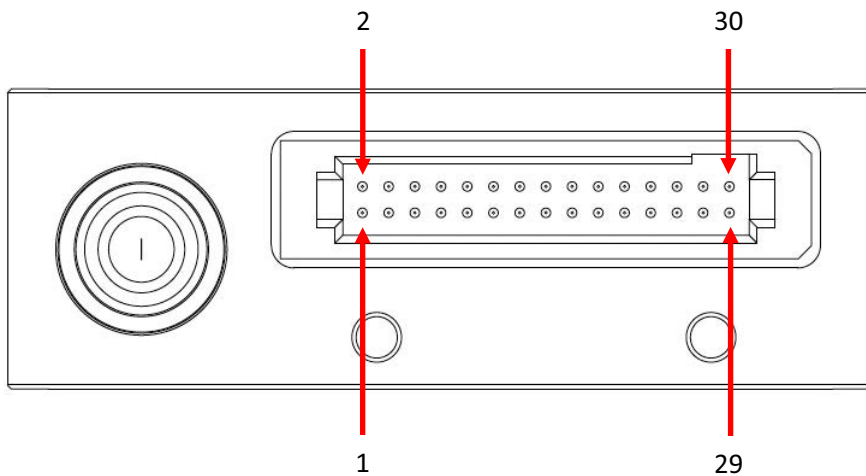
The connector used in the Qmini is a TFM-115-02-L-D-WT manufactured by Samtec.

The notch in the upper-right corner of the connector does not indicate the position of pin 1. Broadcom recommends using a wired connector.

Recommended mating connectors, which are fully loaded with 5-inch-long wires, are as follows:

- SFSD-15-28-G-05.00-SR (single-ended connector; open wires)
- SFSD-15-28-G-05.00-DR-NDX (double-ended connector; pin 1 to pin 1 connection)

Figure 2: 30-Pin Auxiliary Interface



The following table describes all the interface pins. Contact Broadcom for additional information on the auxiliary interface.

Table 1: Auxiliary Interface Pin Descriptions

Pin Number	Signal Name	Type	Description	Notes
1	+5V_AUX_IN	PWR	Power input	
2	USB_DN	IO	USB bidirectional D- line	
3	GND	PWR	Ground	a
4	USB_DP	IO	USB bidirectional D+ line	
5	EN_USB	I	Enable USB on the auxiliary connector	b
6	UART_RXD	I	Receiver input for UART	c
7	UART_TXD	O	Transmitter output for UART	
8	UART_CTS	I	Clear to Send input for UART	d
9	UART_RTS	O	Request to Send output for UART	d
10	GND	PWR	Ground	a
11	SPI_POCl	O	Peripheral Out Controller In for SPI	b
12	SPI_CSn	I	Chip Select for SPI (low active)	c
13	SPI_SCK	I	Serial Clock for SPI	b
14	SPI_PICO	I	Peripheral In Controller Out for SPI	b
15	GND	PWR	Ground	a
16	RESETn	I	Reset input (low active)	c
17	TRIG_IO_0	IO	Low-latency trigger input/output	
18	TRIG_IO_1	IO	Low-latency trigger input/output	
19	TRIG_IO_2	IO	Low-latency trigger input/output	
20	TRIG_IO_3	IO	Low-latency trigger input/output	
21	GND	PWR	Ground	a
22	I2C_SCL	I	Clock input for I ² C	d
23	I2C_SDA	IO	Data input/output for I ² C	d
24	CAN_TD	O	Transmitter output for CAN	d
25	CAN_RD	I	Receiver input for CAN	d
26	GND	PWR	Ground	a
27	DAC	O	10-bit analog output	
28	ADC	I	10-bit analog input	
29	GND	PWR	Ground	a
30	+5V_AUX_OUT	PWR	Power output	

- a. Internally connected.
- b. Internally pulled down.
- c. Internally pulled up.
- d. Not implemented in the current firmware. Contact support for further information.

Chapter 3: Operation

The Qmini spectrometers are equipped with three serial communications interfaces (SPI, UART, and USB). This chapter describes this communication, other interactions such as trigger modes between, for example, light sources, and standard operation.

3.1 Trigger

Learn more about the different trigger modes of the Qmini spectrometers.

3.1.1 Trigger Modes

The Qmini spectrometer provides two different trigger modes:

- Continuous asynchronous trigger (trigger on end of exposure): This is the default mode. The spectrometer is continuously taking spectra. If a trigger event occurs, the currently exposed spectrum is read out.
- Continuous synchronous trigger (trigger on start of exposure): The spectrometer is continuously taking spectra, and when a trigger event occurs, the next spectrum after the one currently being taken is read out. Choose this mode to ensure that no light is collected for the spectrum before the trigger event occurs. This mode requires more time to take a spectrum. It causes a random trigger delay between zero and the exposure time.

Both trigger modes are usable via an internal (software) or external trigger event.

The readout time of the sensor data is about 2.55 ms, and depending on the adjusted exposure time, the readout behavior is slightly different for an exposure time smaller or larger than the readout time.

If the exposure time is larger than the readout time, the Qmini reads the sensor data of the requested spectrum, while the next exposure takes place. Because of the continuous exposure, there is always a following exposure period regardless of a trigger event.

If the exposure time is smaller than the readout time, the Qmini reads the sensor data after the exposure period ends, without starting the next exposure. This leads to a slight nonlinear sensitivity for the next exposure, and therefore a dummy exposure is added before the next stable spectrum can be taken. This will introduce a small delay for the readout cycle.

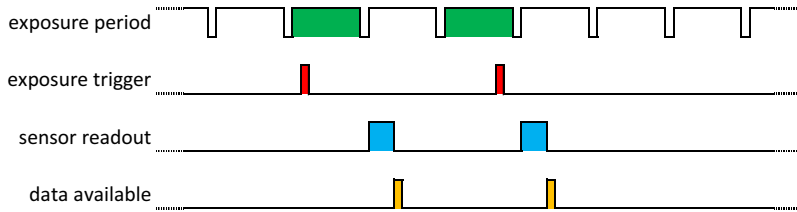
[Figure 3](#) shows both trigger modes in the idle state with an exposure time greater than 2.55 ms and after a trigger event has occurred. Each spectrum, which must be read out, must be triggered by a discrete trigger event. This means that in a series of spectra or if averaging is active, each single spectrum must be triggered for readout.

[Figure 4](#) shows the same with an exposure time less than 2.55 ms.

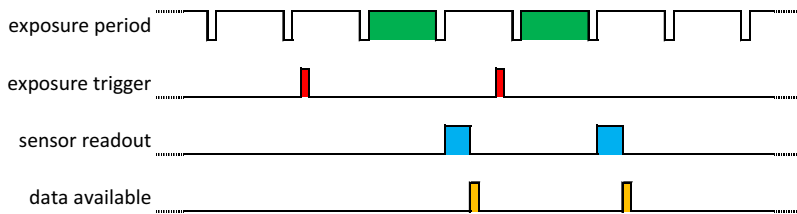
Figure 3: Trigger Mode Diagram with $T_{EXP} > 2.55$ ms

Exposure Timing for a Single Spectrum

Continous Asynchronous Trigger (Trigger on End of Exposure)

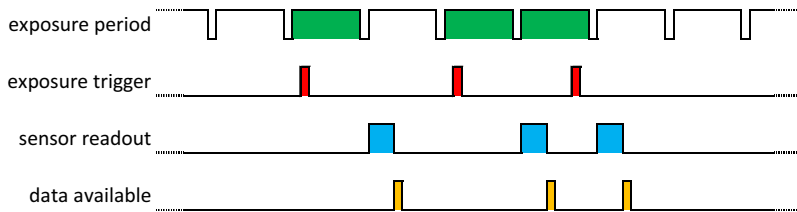


Continous Synchronous Trigger (Trigger on Start of Exposure)

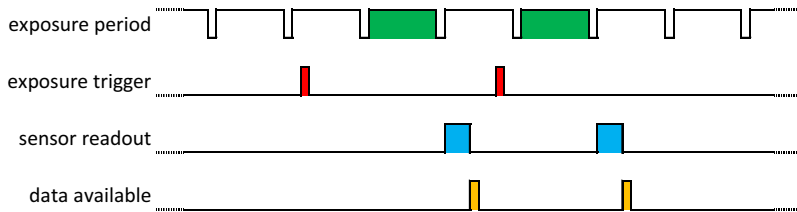


Exposure Timing for n Single Spectra or Averaging over n Spectra (n > 1)

Continous Asynchronous Trigger (Trigger on End of Exposure)



Continous Synchronous Trigger (Trigger on Start of Exposure)



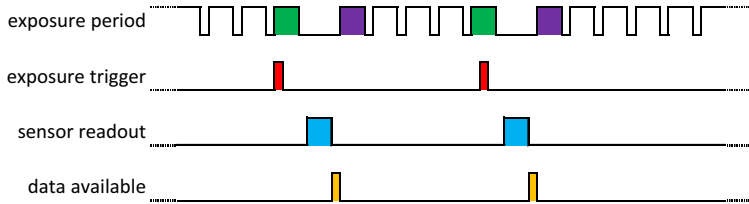
Legend:

	spectrum taken after reception of a trigger event
	trigger event (rising or falling edge)
	sensor readout period
	data stored in internal spectrum buffer

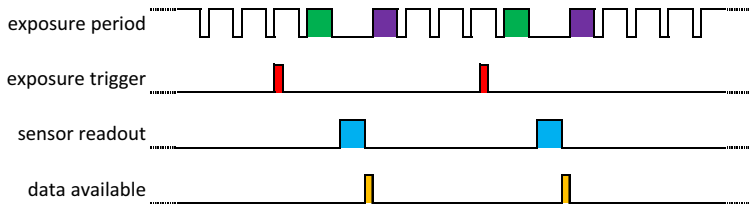
Figure 4: Trigger Mode Diagram with $T_{EXP} < 2.55$ ms

Exposure Timing for a Single Spectrum

Continuous Asynchronous Trigger (Trigger on End of Exposure)

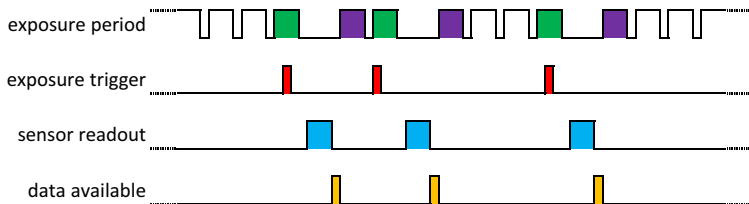


Continuous Synchronous Trigger (Trigger on Start of Exposure)

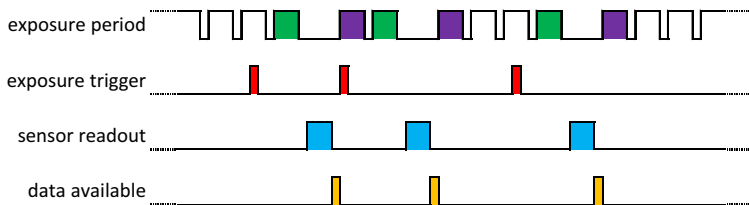


Exposure Timing for n Single Spectra or Averaging over n Spectra (n > 1)

Continuous Asynchronous Trigger (Trigger on End of Exposure)



Continuous Synchronous Trigger (Trigger on Start of Exposure)



Legend:	■ spectrum taken after reception of a trigger event
	■ exposure period of a dummy spectrum to keep sensor in equilibrium
	■ trigger event (rising or falling edge)
	■ sensor readout period
	■ data stored in internal spectrum buffer

3.1.2 Trigger Pins

The auxiliary connector provides up to four trigger input and output pins (pin numbers 17 to 20). Regardless of the configured direction, the spectrometer can read the logical state of the pin.

Adjusted as an input, the pins detect logical voltage levels and can be used as an external trigger source. If a pin is configured as an output, several different output modes are supported, for example to control a shutter or a constant or flashing light source. The following table gives an overview of the output modes.

Table 2: Trigger Pin Configurations

Output Configuration	Description
Low	Output is always low.
High	Output is always high.
Low during exposure	Output is high and goes low during the exposure period.
High during exposure	Output is low and goes high during the exposure period.
Pulsed	Output is always pulsed with 50% duty cycle and the adjusted pulse period.
Pulsed low during exposure	Output is high and pulsed with 50% duty cycle and the adjusted pulse period during the exposure period.
Pulsed high during exposure	Output is low and pulsed with 50% duty cycle and the adjusted pulse period while exposure period.

For an external trigger event, each pin can be configured to receive the trigger event. The trigger is recognized on either the rising edge or the falling edge.

To use a channel as an external trigger source, perform the following steps (pin 2 is used in this explanation):

1. Configure trigger pin 2 as the input.
2. Set the trigger pin number to pin 2.
3. Select either the rising edge or the falling edge.
4. Set the trigger mode to external.

The Qmini has an internal buffer for each trigger pin, which automatically changes the drive direction according to the received signal. If a trigger pin is configured as an input and will receive external signals, it is recommended to directly connect a push-pull driver.

3.2 Communication Interfaces

The Qmini spectrometer has three communication interfaces: USB, UART, and SPI. The communication is split into two layers: the interface layer and the message layer to control the spectrometer.

The interface layer is individual for each interface type, because it encapsulates the interface-specific properties. For USB, the USB stack implements the interface layer; and for UART and SPI, it is implemented in software. This layer has the message layer as a payload. The message layer contains the commands that control the spectrometer. It is the same for all interfaces. This makes it very simple to switch to another interface if application requirements change. For a detailed description, refer to the NioLink manual.

3.2.1 USB

The Qmini provides two 480-Mb/s USB 2.0 interfaces. One comes with a USB Type-C connector, whereas the other one is integrated on the auxiliary connector for embedded integration. The two interfaces cannot be used at the same time. If both interfaces are connected, the USB interface on the auxiliary connector is preferred and the USB on the Type-C connector is disabled. To enable the USB interface on the auxiliary connector, 5V must be applied to pin 1 (+5V_AUX_IN) and pin 5 (EN_USB).

3.2.2 UART

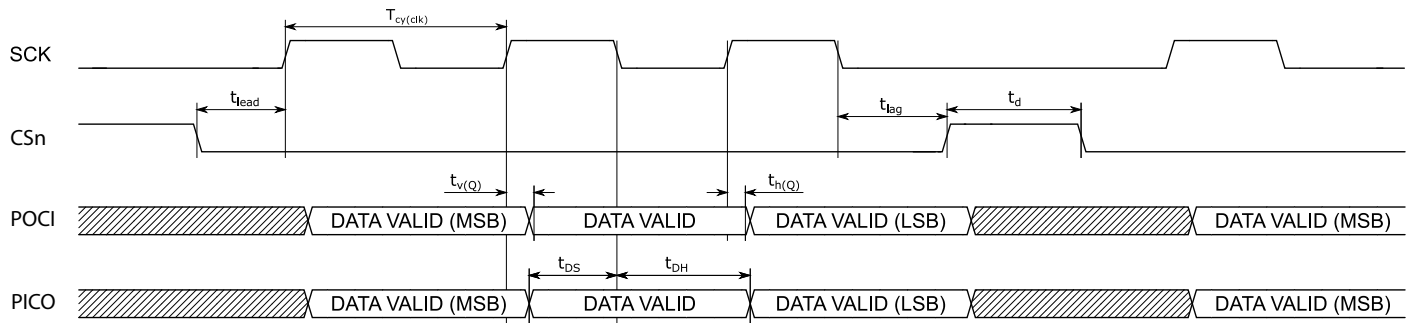
The Universal Asynchronous Receiver/Transmitter interface is located on pins 6 and 7. The additional signals CTS and RTS for hardware flow control are located on pins 8 and 9. At this time, flow control is not supported by the firmware. If your application requires dedicated flow control, contact the Broadcom support team. Using an RS-232 level shifter, it is also possible to have a regular RS-232 interface for serial communication. The communication parameters are 8N1, which means 8 data bits, no parity and 1 stop bit. The following baud rates are available: 300, 600, 1200, 2400, 4800, 9600, 14400, 19200, 28800, 38400, 57600, 115200, 128000, 230400, 256000, 460800, 921600, and 3Mbaud. The standard baud rate is configured to 57600 baud and can be changed after device initialization. For the command description of the UART interface, refer to the NioLink protocol manual.

3.2.3 SPI

The Serial Peripheral Interface consists of four signals, PICO, POCL, SCLK, and CSn, which are located on the auxiliary connector from pin 11 to pin 14. The SPI interface is primarily intended to be used in embedded systems for communication with microcontrollers. The interface operates in SPI mode 1, which has a clock polarity (CPOL) = 0 and a clock phase (CPHA) = 1. [Table 3](#) and [Figure 5](#) show the communication timings. For a command description of the SPI interface, refer to the NioLink protocol manual.

Table 3: SPI Interface Timing Values

Parameter	Symbol	Min.	Max.	Unit
clock cycle time	$t_{cy(\text{clk})}$	100	1000	ns
data setup time	t_{DS}	1.5	—	ns
data hold time	t_{DH}	2	—	ns
data output valid time	$t_{v(Q)}$	—	23.22	ns
data output hold time	$t_{h(Q)}$	4.5	—	ns
lead time	t_{lead}	4000	—	ns
lag time	t_{lag}	$0.5 \times t_{cy(\text{clk})} + 1.5$	—	ns
delay time	t_d	5000	—	ns

Figure 5: SPI Interface Timing Diagram

3.3 Other Signals on the Auxiliary Connector

The auxiliary connector provides several additional signals that can help you conveniently control the spectrometer in your application. If the spectrometer is supplied by USB, it is possible to use the +5V output as a direct supply voltage for an external peripheral such as an RS-232 level shifter. The output current of this pin is limited to 300 mA to avoid overdriving the power supply of your USB host port.

For analog signal acquisition or analog signal generation, there is also an analog input and an analog output located on the auxiliary port.

If the spectrometer must be set back to the initial state, a reset input is available. Its polarity is active low, and connecting the pin to the GND signal will reset the device. All settings that were not stored persistent will be lost.

3.4 LEDs

The Qmini spectrometer integrates a green LED and a red LED to indicate different device states. The following table shows the meaning of the LEDs.

Table 4: LED Status

Red LED	Green LED	Description
Off	Off	Device is not supplied.
On	On	Device is supplied, but not enumerated or initialized.
Off	On	Device is enumerated or initialized and in the idle state.
Pulsed On	On	Device is in the operational state, and the sensor is exposed.
Pulsed On	Off	Device is in the bootloader state and awaiting new firmware.

3.5 Spectrum Processing

There are several spectrum processing steps available which can automatically applied to raw spectra before it is stored in the internal spectrum buffer. All steps can individually turned on and off. Without any processing you get the raw image sensor signal. The following table lists and describes these processing steps.

Table 5: Processing Steps

Processing Type	Description	Default Setting
Adjust Offset	Adjust the offset of the spectrum using the dummy pixels of the sensor.	Yes
Correct Nonlinearity	Correct the nonlinearity of the intensity axis.	Yes
Remove Permanent Bad Pixels	Mask permanent bad pixels.	Yes
Subtract Dark	Adjust the dark signal of the spectrum using the dark pixels of the sensor.	Yes
Remove Temporary Bad Pixels	Mask single pixel spikes (N/A for Qmini).	No
Compensate Stray Light	Estimate the amount of stray light and compensate it (N/A for Qmini).	No
Normalize Exposure Time	Normalize the spectrum to an exposure time of 1 second.	Yes
Sensitivity Calibration	Use the sensitivity calibration to correct the spectral sensitivity.	No
Correct PRNU	Correct the photo response nonuniformity.	Yes
Additional Filtering	Apply additional filtering (Savitzky-Golay 3 rd order 5 pixels).	Yes
Scale to 16-Bit Range	Scale values to a range of 0 – 65534 and clip larger values to 65535.	No

3.6 Calibration

An individual calibration is performed in the final test of the production process. This data is stored in the internal memory of the Qmini. This so called user calibration can be overwritten by a customer-specific calibration. A second set of calibration data represents the factory calibration and is used only if the user calibration will be reset to the factory settings. The data of the user calibration is used to correct the raw spectra according to the activated processing steps.

3.7 Exchangeable Entrance Slit

The Qmini comes with a default slit width of 20 μm , but it can easily be exchanged by the customer. A wider entrance slit improves the overall spectral sensitivity of the spectrometer, but it reduces the resolution. For applications with a lower requirement for resolution, the wider entrance slit is an advantage that has more sensitivity and increases the scan rate by reducing the exposure time.

Changing the standard slit to a broader one does not necessarily require a new wavelength calibration. If precise wavelength accuracy is needed, you can do a new wavelength calibration using the calibration function in the Waves software.

For evaluation purposes, a slit kit (AFBR-S20SK-V2) is available. It consists of four SMA connectors that have integrated slits with a width of 50 μm , 100 μm , 150 μm and 200 μm . It allows you to find the right setup for your application. The following table shows the typical resulting resolution for the six Qmini variants with different slits.

Table 6: Typical Resolution for Other Slit Widths

Part Number	Description	Calculated Resolution (FWHM)				
		20 μm (Default)	50 μm	100 μm	150 μm	200 μm
AFBR-S20M2UV	Qmini UV	0.5	1	2	3	4
AFBR-S20M2VIS	Qmini VIS	0.8	1.6	3.2	4.8	6.4
AFBR-S20M2NI	Qmini NIR	0.8	1.6	3.2	4.8	6.4
AFBR-S20M2WU	Qmini wideUV	1.5	3	6	9	12
AFBR-S20M2WV	Qmini wideVIS	1.5	3	6	9	12
AFBR-S20M2VN	Qmini VIS/NIR	1.5	3	6	9	12

Chapter 4: Software

4.1 WAVES Spectroscopy Software

The Broadcom® free-to-use and feature-rich WAVES spectroscopy software enables you to use our spectrometers for spectra acquisition, manipulating or analyzing spectra, adjusting the trigger pins, and much more. It also provides functions to do customer calibrations for wavelength, spectral sensitivity, nonlinearity, and more. For a more detailed description, refer to the Waves user manual on the Broadcom website.

4.2 Software Development Kit

The SDK for the spectrometer can be used to control it and take spectra from additional custom software. The SDK includes a Windows dynamic link library (DLL) for the .NET framework, documentation, and sample code. The SDK can be downloaded from the Broadcom website and is free to use.

Alternatively, it is possible to directly communicate with the spectrometer from custom software including embedded systems. The open binary-based and intuitive-to-use communication protocol NioLink enables you to control the spectrometer in a very flexible way. See the communication protocol manuals in the SDK for additional details.

You can download the latest version of Waves and the SDK from each product page on the Broadcom website.

4.3 Software Updates

Software updates are available on the Broadcom website. Find the latest version on each product page.

<https://www.broadcom.com/products/optical-sensors/spectrometers>

AFBR-S20M2VI

[Contact Support](#)
[Contact Sales](#)
[Check Inventory](#)

Qmini VI-Miniature USB spectrometer with powerful on-board electronics and numerous communication interfaces for VIS measurements from 370 to 750 nm

[Overview](#)
[Specifications](#)
[Documentation](#)
[Downloads](#)

This miniature spectrometer comes with comprehensive on-board processing and evaluation for mobile applications and embedded solutions. It covers a wide range from 190–1100 nm in a single device.

The Qmini's small design enables tight integration and various customizations to suit a large number of OEM requirements where space is limited.

[Qmini AFBR-S20M2XX Data Sheet](#)

Features

Applications



Chapter 5: Technical Support

This chapter provides some information on troubleshooting and getting direct help from the support team, if you face any problems or need help to successfully evaluate the Broadcom Qmini spectrometer.

5.1 Package Contents

The package contains the spectrometer only. Powerful electronics are integrated into the spectrometer housing. Links to the documentation, software development kit (SDK), and software are written on a small note inside the spectrometer package.

5.2 Customization

If your application needs a special configuration, for example a different wavelength range, contact Broadcom to discuss your OEM module by sending an email to support.spectrometer@broadcom.com.

5.3 Getting Help

For any questions, comments, or requests concerning the spectrometer, Waves software, or the SDK, contact the Technical Support Team via email (support.spectrometer@broadcom.com).

5.4 Troubleshooting

This section helps identify problems connecting to the spectrometer and how to proceed.

5.4.1 Green and Red LEDs Are Continuously Lit

Green and red LEDs that are continuously lit indicate that the device driver is not installed or the initial USB enumeration was not completed. This behavior applies only to the USB interface that is used for spectrometer control. Check your USB cable and connection on your PC, and, if need be, try a different USB cable or USB connection. For the UART or SPI, check your connection or verify the correct command for initializing the spectrometer.

5.4.2 Software Cannot Find the Device

Disconnect and reconnect the spectrometer, wait a few seconds, and click the **Rescan** button to update the device list. If this does not resolve the issue, restart the PC and try again.

Check the website for software updates.

If the software still cannot find the device, check the Device Manager from the Windows Control Panel. The spectrometer should display as Qmini in the Measurement and Control category. If the spectrometer is marked with an exclamation or question mark, remove the device, uninstall the software from the Windows Control Panel, restart the PC, and install the software again.

If the spectrometer is not listed in the Device Manager, try a different USB port. If the device does not work on one PC, but works on other PCs, the USB port may not provide enough power for the spectrometer. In this case, use an externally powered USB hub.

If you use your own developed software, try to connect to the spectrometer with the Broadcom WAVES software.

Revision History

AFBR-S20M2xx-Qmini-DS100; August 22, 2023

Initial release.

