

69216 ✓ ACTIVE

AMP

TE Internal #: 69216

Premium Crimp Tooling, Removable/Interchangeable, MIL Spec /
TE Product Specification (114-), Battery / Hydraulic / Manual, Hand
Crimping Tools

[View on TE.com >](#)



Application Tooling > Hand Crimping Tools



Tool Grade: **Premium Crimp Tooling**

Die Sets Type: **Removable/Interchangeable**

Specification Type: **TE Product Specification (114-), MIL Spec**

TE Certification: **Yes – Certificate Included**

Power Technology Type: **Battery, Hydraulic, Manual**

Features

Other

Tool Grade	Premium Crimp Tooling
Die Sets Type	Removable/Interchangeable
Specification Type	TE Product Specification (114-), MIL Spec
TE Certification	Yes – Certificate Included
Power Technology Type	Battery, Hydraulic, Manual
Tooling Type	Die Assembly
EU RoHS Compliance	Compliant
Crimp Form-Wire Barrel Type	Closed Barrel - W Crimp

Product Compliance

[For compliance documentation, visit the product page on TE.com>](#)

EU RoHS Directive 2011/65/EU	Compliant
EU ELV Directive 2000/53/EC	Out of Scope
China RoHS 2 Directive MIIT Order No 32, 2016	No Restricted Materials Above Threshold
EU REACH Regulation (EC) No. 1907/2006	Current ECHA Candidate List: JUNE 2024 (241) Candidate List Declared Against: JUNE 2024 (241) Does not contain REACH SVHC















Halogen Content	Low Halogen - Br, Cl, F, I < 900 ppm per homogenous material. Also BFR/CFR/PVC Free
-----------------	---

Solder Process Capability	Not reviewed for solder process capability
---------------------------	--

Product Compliance Disclaimer

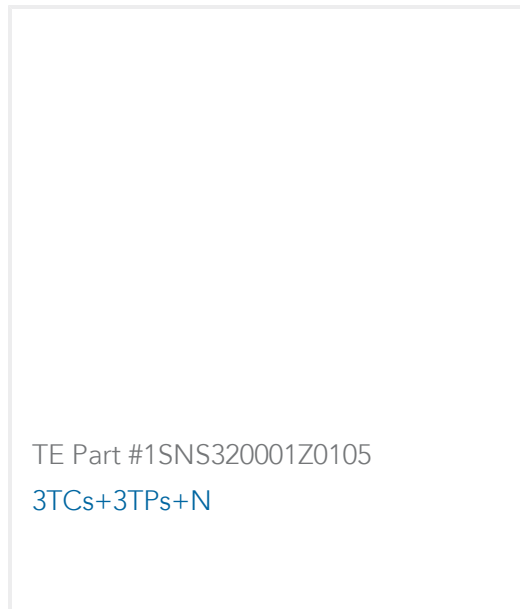
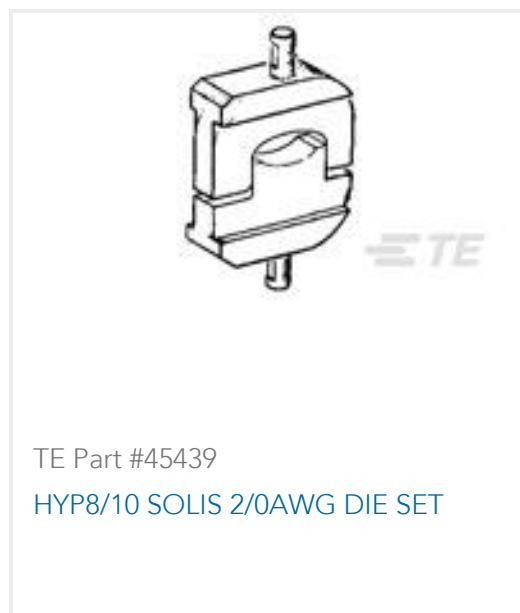
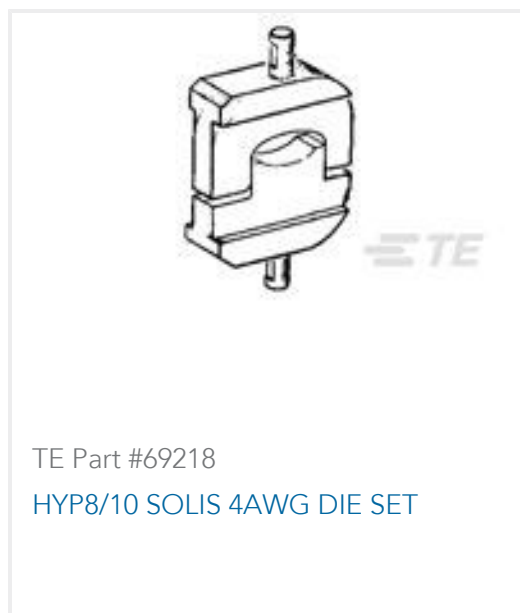
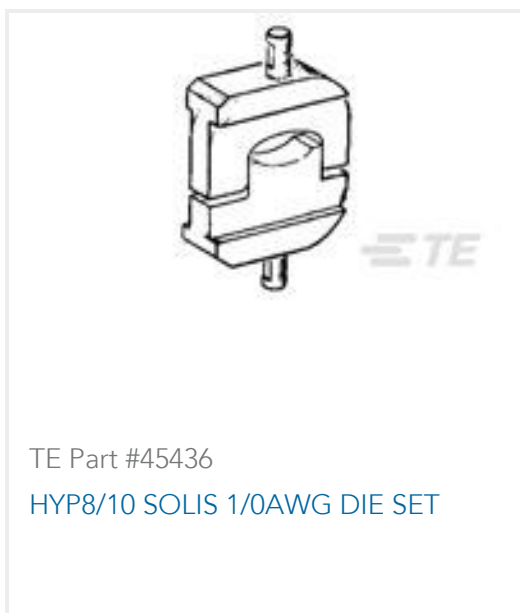
This information is provided based on reasonable inquiry of our suppliers and represents our current actual knowledge based on the information they provided. This information is subject to change. The part numbers that TE has identified as EU RoHS compliant have a maximum concentration of 0.1% by weight in homogenous materials for lead, hexavalent chromium, mercury, PBB, PBDE, DBP, BBP, DEHP, DIBP, and 0.01% for cadmium, or qualify for an exemption to these limits as defined in the Annexes of Directive 2011/65/EU (RoHS2). Finished electrical and electronic equipment products will be CE marked as required by Directive 2011/65/EU. Components may not be CE marked. Additionally, the part numbers that TE has identified as EU ELV compliant have a maximum concentration of 0.1% by weight in homogenous materials for lead, hexavalent chromium, and mercury, and 0.01% for cadmium, or qualify for an exemption to these limits as defined in the Annexes of Directive 2000/53/EC (ELV). Regarding the REACH Regulation, the information TE provides on SVHC in articles for this part number is based on the latest European Chemicals Agency (ECHA) 'Guidance on requirements for substances in articles' posted at this URL: <https://echa.europa.eu/guidance-documents/guidance-on-reach>

Compatible Parts

 <p>TE Part # 35665 TERMINAL,SOLIS R 8 5/8</p>	 <p>TE Part # 35664 TERMINAL,SOLIS R 8 1/2</p>	 <p>TE Part # 2-34318-1 SPLICE,SOLIS PARA HR 8</p>	 <p>TE Part # 130550 SOLIS 8 R M6</p>
 <p>TE Part # 160013 SOLIS 8 R M5</p>	 <p>TE Part # 160056 SOLIS 8 R 10MM</p>	 <p>TE Part # 36906 SPLICE,SOLIS BUTT 8</p>	 <p>TE Part # 34321 SPLICE,SOLIS BUTT 8</p>
 <p>TE Part # 323168 TERMINAL,SOLIS R HR 8 3/8</p>	 <p>TE Part # 184064-1 TERMINAL,SOLIS R 8 10MM</p>	 <p>TE Part # 180599 SOLIS 8 WIRE PIN</p>	 <p>TE Part # 2-324061-5 TERMINAL,SOLIS R 8 8 HR</p>



Customers Also Bought



Documents



Datasheets & Catalog Pages

[AT-Hydraulic Crimp Tooling Solutions-1654519](#)

English

[Bottoming Dies](#)

English

Product Specifications

[Safety Precautions](#)

French

[Safety Precautions](#)

English

Instruction Sheets

[Instruction Sheet \(U.S.\)](#)

English