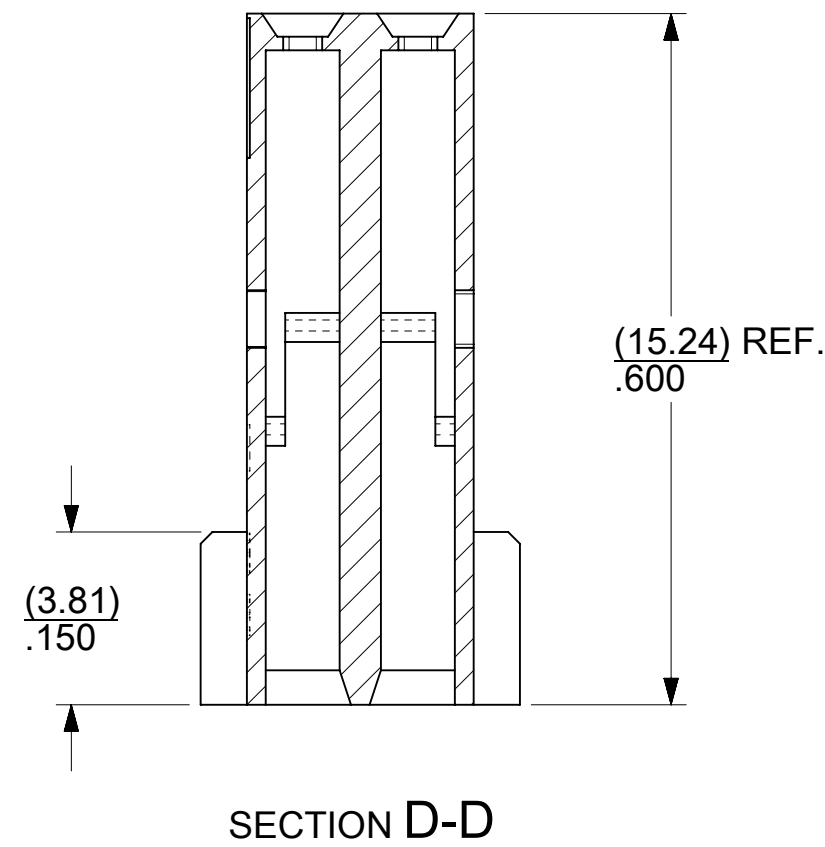
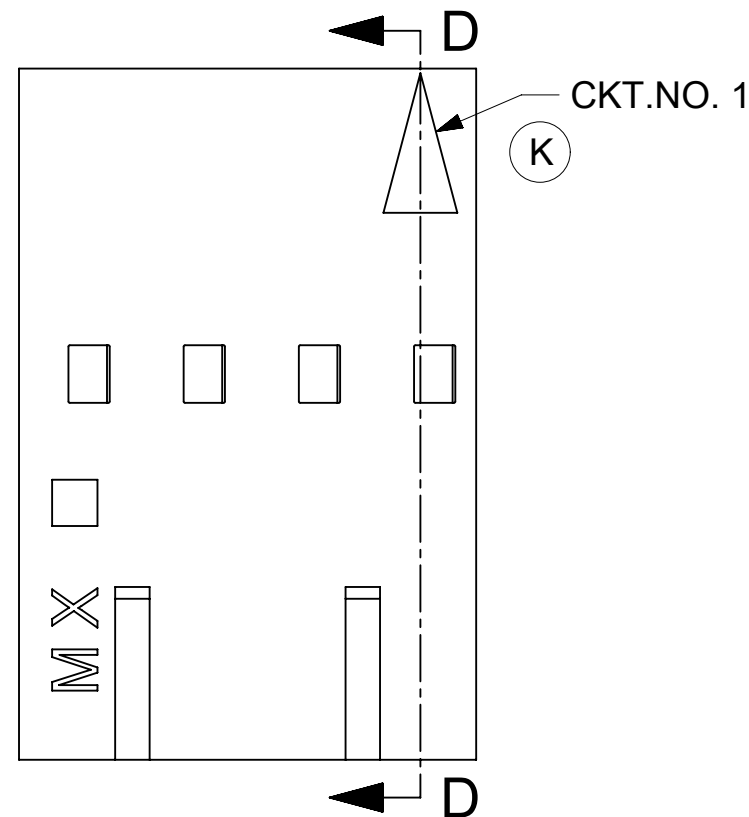


NOTES:

1. MATERIAL:- POLYESTER, GF, UL94 V-0, COLOUR-BLACK
2. HOUSING TO BE USED WITH TERMINALS
PT. NO. 70058-**** & 70028-****
3. TO BE USED WITH (0.64)/.025 SQ. OR RD. PINS.
4. REFER TO PRODUCT SPECIFICATION
5. REFER TO PRODUCT SPECIFICATION PS-70058.
6. PACKAGE PER PK-70450-100.
7. PARTS CONFORMS TO CLASS C OF COSMETIC SPECIFICATION PS-45499-002.



CHART

CKT. SIZE	EDP. NO.	ENG. NO.	A	B
4	022-55-2043	70450-0100	(2.54) .100	(5.05) .199
6	022-55-2063	70450-0101	(5.08) .200	(7.59) .299
8	022-55-2083	70450-0102	(7.62) .300	(10.13) .399
10	022-55-2103	70450-0103	(10.16) .400	(12.67) .499
12	022-55-2123	70450-0104	(12.70) .500	(15.21) .599
14	022-55-2143	70450-0105	(15.24) .600	(17.75) .699
16	022-55-2163	70450-0106	(17.78) .700	(20.29) .799
18	022-55-2183	70450-0107	(20.32) .800	(22.83) .899
20	022-55-2203	70450-0108	(22.86) .900	(25.37) .999
22	022-55-2223	70450-0109	(25.40) 1.000	(27.91) 1.099
24	022-55-2243	70450-0110	(27.94) 1.100	(30.45) 1.199
26	022-55-2263	70450-0111	(30.48) 1.200	(32.99) 1.299
28	022-55-2283	70450-0112	(33.02) 1.300	(35.53) 1.399
30	022-55-2303	70450-0113	(35.56) 1.400	(38.07) 1.499
32	022-55-2323	70450-0114	(38.10) 1.500	(40.61) 1.599
34	022-55-2343	70450-0115	(40.64) 1.600	(43.15) 1.699
36	022-55-2363	70450-0116	(43.18) 1.700	(45.69) 1.799
38	022-55-2383	70450-0117	(45.72) 1.800	(48.23) 1.899
40	022-55-2403	70450-0118	(48.26) 1.900	(50.77) 1.999
42	022-55-2423	70450-0119	(50.80) 2.000	(53.31) 2.099
44	022-55-2443	70450-0120	(53.34) 2.100	(55.85) 2.199
46	022-55-2463	70450-0121	(55.88) 2.200	(58.39) 2.299
48	022-55-2483	70450-0122	(58.42) 2.300	(60.93) 2.399
50	022-55-2503	70450-0123	(60.96) 2.400	(63.47) 2.499
52	022-55-2523	70450-0124	(63.50) 2.500	(66.01) 2.599
54	022-55-2543	70450-0125	(66.04) 2.600	(68.55) 2.699

FUNCTIONAL SYMBOLS FA = 0 FC = 0 FP = 0	THIS DRAWING CONTAINS INFORMATION THAT IS PROPRIETARY TO MOLEX ELECTRONIC TECHNOLOGIES, LLC AND SHOULD NOT BE USED WITHOUT WRITTEN PERMISSION		CURRENT REV DESC: CIRCUIT IDENTIFICATION SYMBOL LOCATION UPDATED		
	DIMENSION UNITS	SCALE	EC NO: 676771		
	INCH	4:1	DRWN: RMV02 2021/09/03		
	GENERAL TOLERANCES (UNLESS SPECIFIED)		CHK'D: KCHIKKANNA 2021/09/08		
DIVISIONAL SYMBOLS	4 PLACES	±	±	APPR: ISHWARG 2021/10/14	PRODUCT CUSTOMER DRAWING DOCUMENT NUMBER: SD-70450-0100-0125 DOC TYPE: PSD DOC PART: 001 REVISION: K
	3 PLACES	±	± 0.01	INITIAL REVISION:	
	2 PLACES	± 0.25	±	DRWN: MJM 1986/10/22	
	1 PLACE	± 0.35	±	APPR: WAZ 1986/10/22	
0 PLACES	±	±	ANGULAR TOL ± 0.5°	THIRD ANGLE PROJECTION	DRAWING SERIES: C-SIZE 70450
DRAFT WHERE APPLICABLE MUST REMAIN WITHIN DIMENSIONS		MATERIAL NUMBER: SEE CHART		CUSTOMER: GENERAL MARKET	SHEET NUMBER: 1 OF 1