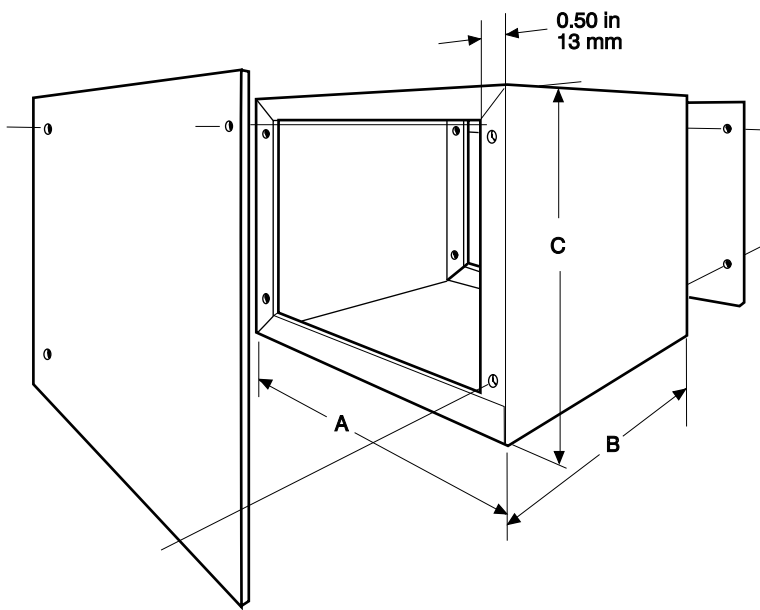
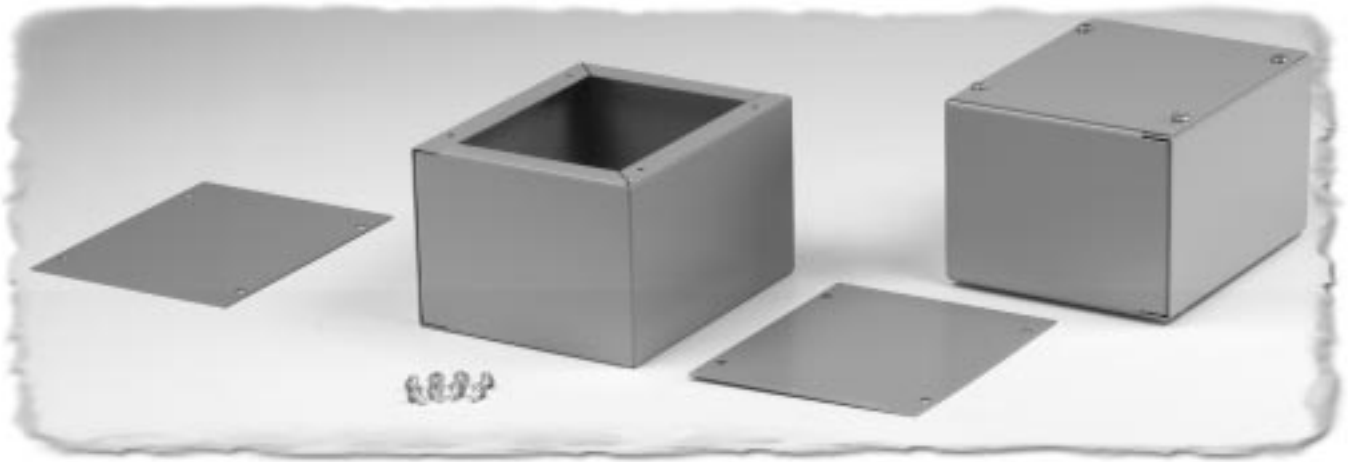


# Steel Utility (1415 Series)



## KEY FEATURES

- Sizes A to E are 20 gauge 0.036" thick steel.
- Sizes F to J are 18 gauge 0.048" thick steel.
- Self-tapping screws included.
- ASA 61 grey powder paint finish.
- Replacement screws **1421J6** (Pkg. of 6, 6-32 Philips head screws).
- Lid mounting holes are 3/16" diameter

Part Number	Units	Dimensions		
		A	B	C
<b>1415A</b>	inch	4	2	4
	mm	102	51	102
<b>1415B</b>	inch	4	3	5
	mm	102	76	127
<b>1415C</b>	inch	6	4	5
	mm	152	102	127
<b>1415D</b>	inch	6	6	6
	mm	152	152	152
<b>1415E</b>	inch	9	5	6
	mm	229	127	152
<b>1415F</b>	inch	10	7	8
	mm	254	178	203
<b>1415H</b>	inch	10	8	10
	mm	254	203	254
<b>1415G</b>	inch	12	6	7
	mm	305	152	178
<b>1415I</b>	inch	12	8	11
	mm	305	203	279
<b>1415J</b>	inch	15	7	9
	mm	383	179	230

Metal