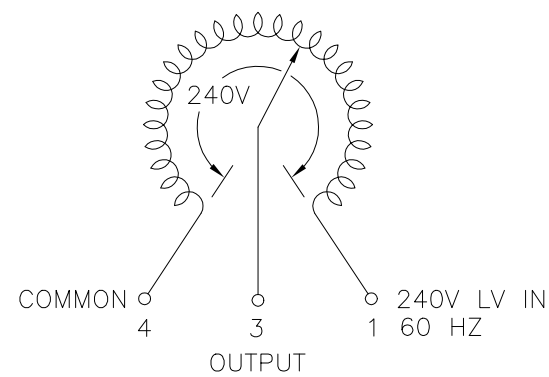
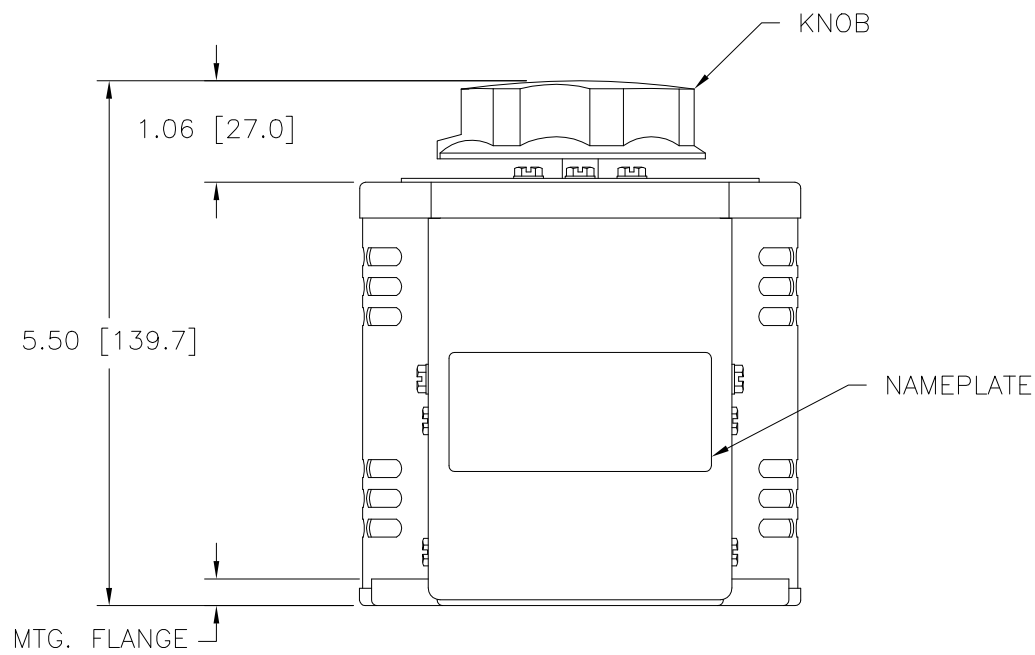


.88 [22.2] DIA. KNOCKOUT
(3) PLACES FOR
WIRING CONNECTIONS



SCHMATIC
VIEW FROM BASE END
FUSE RECOMMENDED BUT NOT SUPPLIED

SPECIFICATIONS											
WIRING	INPUT		OUTPUT				SHAFT ROTATION TO INCREASE VOLTAGE	TERMINAL CONNECTIONS			
	VOLTS	HERTZ	VOLTS	CONSTANT CURRENT LOAD	CONSTANT IMPEDANCE LOAD	FOR INCREASING VOLTAGE AS VIEWED FROM BASE END					
SINGLE PHASE	240	60	0-240	MAX. AMPS	MAX. KVA	MAX. AMPS	MAX. KVA	CW CCW	INPUT	JUMPER	OUTPUT
				5.0	1.20	7.0	1.68		1-4	---	4-3
								1-4	---	1-3	

UNLESS OTHERWISE SPECIFIED, TOLERANCE IS ±				UNITS		TITLE: SPEC. CONTROL DRAWING				
DECIMALS	HOLES	ANGLES	DRAFT	IN	MM	MODEL: 1220BCT				
.XX	.06	1°	1-1/2°	ALL DIMENSIONS APPLY AFTER PLATING		DRAWN BY: S.A. SMITH		DATE: 9/26/97	FIRST USED ON	DO NOT SCALE DWG.
MATERIAL:				WEIGHT APPROX. 10.25 LBS		CHECKER:		DATE:	SCALE: 1=1	SHEET 1 OF 1
The information and design disclosed herein was originated by and is the property of STACO ENERGY PRODUCTS CO., which reserves all patent, proprietary, design, manufacturing, reproduction, use and sale rights thereto, and to any article disclosed therein except to the extent rights are expressly granted to others. The foregoing does not apply to vendor proprietary parts.				DWG. NO. 031-3306		DWG. SIZE D				