



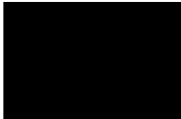
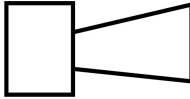
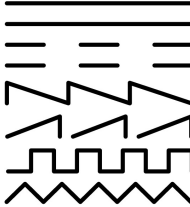
Acoustic device, 230V, multi-tone



Powering Business Worldwide™

Part no. SL7-AP230-M
Article no. 171289
Catalog No. SL7-AP230-M

Delivery programme

Product range			SL7 signal towers
Basic function			Acoustic module
Protection type			IP66
Rated operational voltage	U_e	V	230/240 V AC
Rated operational current	I_e	mA	43
Description			Multi-tone; 8 tones, adjustable with internal dip switch. Sound pressure 100 db, adjustable with internal potentiometer. $f = 500 - 2700$ Hz Place only at the highest position on a pole
Colour			
Function			 
Connection to SmartWire-DT			no

Approvals

Product Standards	IEC/EN 60947-5-1; UL 508; CSA-C22.2 No. 14-10; CSA-C22.2 No. 94-91; CE marking
UL File No.	E29184
UL Category Control No.	NKCR
CSA File No.	UL report applies to both US and Canada
CSA Class No.	NKCR7
North America Certification	UL listed, certified by UL for use in Canada
Degree of Protection	UL Type 4, 4X, 13

General

Standards			IEC/EN 60947-5-1
Climatic proofing			Damp heat, constant, to IEC 60068-2-78 Damp heat, cyclic, to IEC 60069-2-30
Mounting position			As required
Mechanical shock resistance		g	> 15 according to IEC 60068-2-27 Shock duration 11 ms Sinusoidal
IEC degree of protection			IP66 IEC/EN 60529
Protection type UL			Type 4, 4X, 13
Material			Enclosure: Polycarbonate (PC), black Cap: Polycarbonate (PC)
Ambient temperature		°C	-30 - +60
Weight		g	102

Contacts

Rated impulse withstand voltage	U_{imp}	V AC	4000
Rated insulation voltage	U_i	V	250
Overtoltage category/pollution degree			III/3

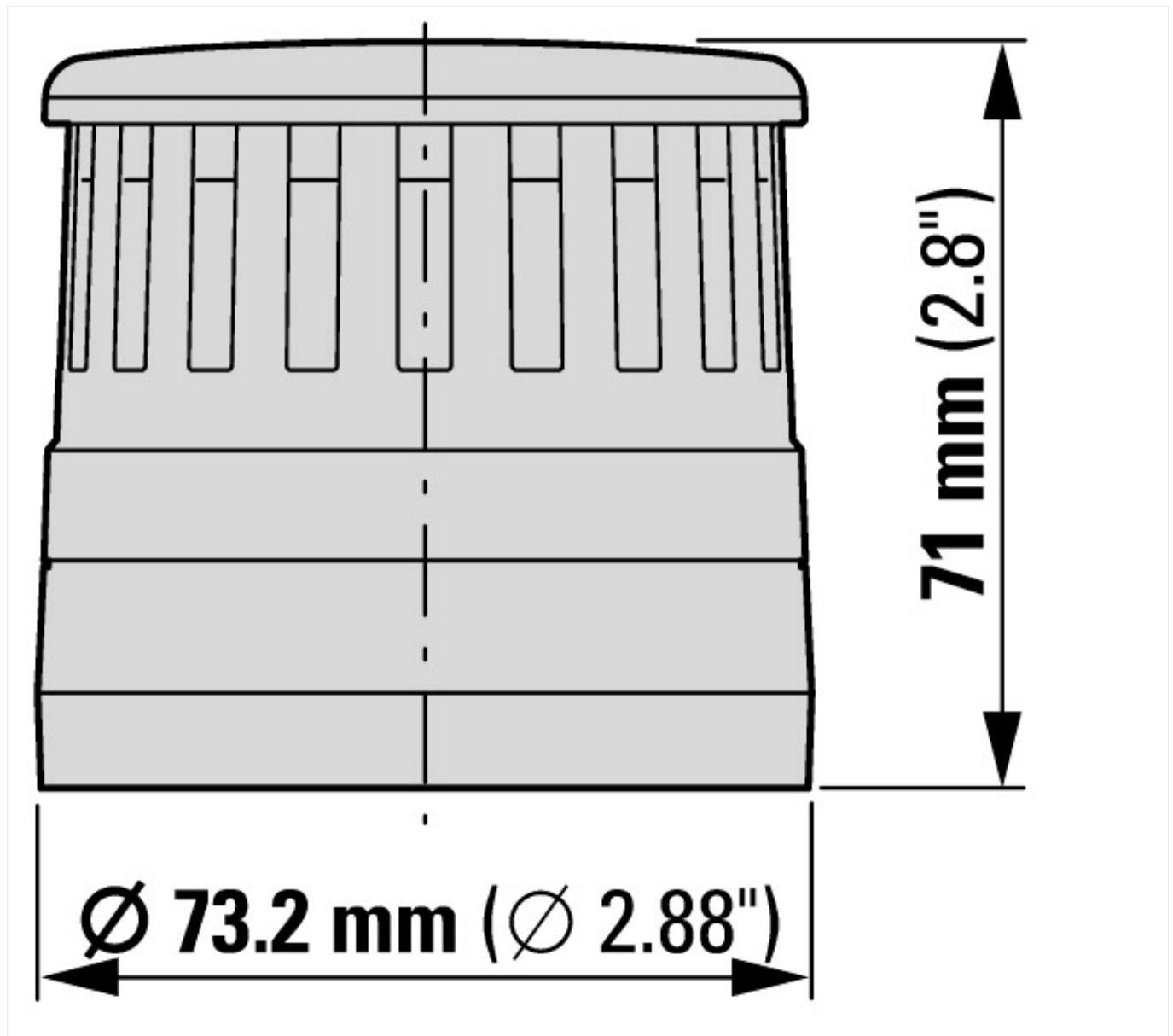
modules

Leakage current		A	< 0.003																																																															
Type of tone			Continuous or pulsed tone 8 types of sound																																																															
Types of sound			8 versions, table of sound types																																																															
Sound setting			Internal; 3 pole DIP																																																															
Table of sound types			<p>Table of sound types</p> <table border="1"> <thead> <tr> <th>Sound type</th> <th>DIP switch settings</th> <th>Frequency Hz</th> <th>Diagram</th> <th>Repeat rate</th> <th>Special application</th> <th>Max. application volume</th> </tr> </thead> <tbody> <tr> <td>SL7-AP...-M Continuous tone</td> <td>ON</td> <td>2700</td> <td></td> <td>-</td> <td>-</td> <td>100 dB</td> </tr> <tr> <td>Continuous tone</td> <td>ON</td> <td>1350</td> <td></td> <td>-</td> <td>-</td> <td>100</td> </tr> <tr> <td>Pulsed tone</td> <td>ON</td> <td>2700</td> <td></td> <td>250 ms on, 250 ms off</td> <td>-</td> <td>100</td> </tr> <tr> <td>Pulsed tone</td> <td>ON</td> <td>1350</td> <td></td> <td>250 ms on, 250 ms off</td> <td>-</td> <td>100</td> </tr> <tr> <td>falling</td> <td>ON</td> <td>1200</td> <td></td> <td>1 Hz</td> <td>Evacuation Germany, DIN3304-3</td> <td>98</td> </tr> <tr> <td>Rising</td> <td>ON</td> <td>500</td> <td></td> <td>3 s, 0.5 s off</td> <td>Rising Netherlands NEN 2575:2000</td> <td>98</td> </tr> <tr> <td>Alternating</td> <td>ON</td> <td>800</td> <td></td> <td>2 Hz</td> <td>-</td> <td>94</td> </tr> <tr> <td>rising/falling</td> <td>ON</td> <td>500</td> <td></td> <td>10 Hz</td> <td>-</td> <td>94</td> </tr> </tbody> </table>	Sound type	DIP switch settings	Frequency Hz	Diagram	Repeat rate	Special application	Max. application volume	SL7-AP...-M Continuous tone	ON	2700		-	-	100 dB	Continuous tone	ON	1350		-	-	100	Pulsed tone	ON	2700		250 ms on, 250 ms off	-	100	Pulsed tone	ON	1350		250 ms on, 250 ms off	-	100	falling	ON	1200		1 Hz	Evacuation Germany, DIN3304-3	98	Rising	ON	500		3 s, 0.5 s off	Rising Netherlands NEN 2575:2000	98	Alternating	ON	800		2 Hz	-	94	rising/falling	ON	500		10 Hz	-	94
Sound type	DIP switch settings	Frequency Hz	Diagram	Repeat rate	Special application	Max. application volume																																																												
SL7-AP...-M Continuous tone	ON	2700		-	-	100 dB																																																												
Continuous tone	ON	1350		-	-	100																																																												
Pulsed tone	ON	2700		250 ms on, 250 ms off	-	100																																																												
Pulsed tone	ON	1350		250 ms on, 250 ms off	-	100																																																												
falling	ON	1200		1 Hz	Evacuation Germany, DIN3304-3	98																																																												
Rising	ON	500		3 s, 0.5 s off	Rising Netherlands NEN 2575:2000	98																																																												
Alternating	ON	800		2 Hz	-	94																																																												
rising/falling	ON	500		10 Hz	-	94																																																												
Sound pressure		dB	100																																																															
Sound pressure level adjustment			Built-in, potentiometer																																																															
Sound_pressure_can_be_lowered_to_a_minimum_of			88 dB																																																															
Transmission angle			360°																																																															
Current-/power consumption																																																																		
230 /240V AC		A	0.043																																																															
Voltage levels			230/240 V AC ± 10 %																																																															

Technical data ETIM 5.0

Low-voltage industrial components (EG000017) / Acoustic module for signal tower (EC001261)			
Electric engineering, automation, process control engineering / Low-voltage switch technology / Command and alarm device / Signal column element, acoustic (ecl@ss8-27-37-12-37 [AKF055010])			
Function			-
Outer diameter		mm	73
Degree of protection (IP)			IP66
Colour			Black
Operating voltage at AC 50 Hz		V	230 - 240
Operating voltage at AC 60 Hz		V	230 - 240
Operating voltage at DC		V	0 - 0
Voltage type			AC
Tone adjustable			Yes

Dimensions



Additional product information (links)

IL047004ZU SL7 Light Modules, Tone Modules

IL047004ZU SL7 Light Modules, Tone Modules

ftp://ftp.moeller.net/DOCUMENTATION/AWA_INSTRUCTIONS/IL047004ZU2013_02.pdf

IL047004ZU SL7, modules lumineux, modules sonores

ftp://ftp.moeller.net/DOCUMENTATION/AWA_INSTRUCTIONS/IL047004ZU2013_02.pdf