

**Type MGGA**  
**Slow Blow Automotive (MEGA®)¹**  
**Limiter Fuse**  
**2" (50.8mm) Center to Center Bolt-on**



www.optifuse.com (619) 593-5050

**Interrupting Rating (IR):** 1000A @ 32VDC  
**Operating Temperature:** -40°C ~ 125°C

**Body:** PES  
**Terminals:** Copper Alloy, tin plated

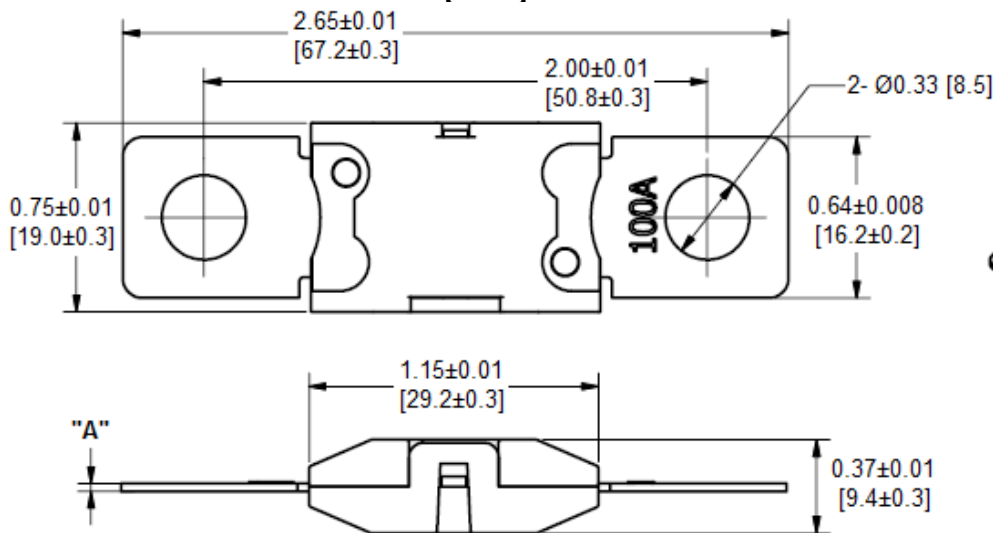
**Electrical Characteristics:**

Rating A (In)	75% In	100% In	135% In	200% In	350% In	600% In
80A ~ 250A		Min 4 hr.	Min 120 sec Max 1800 sec	Min 1 sec Max 15 sec	Min 300ms Max 5 sec	Min .1 sec Max 1 sec
300A	Min 4 hr.			Min 1 sec Max 15 sec	Min 500ms Max 5 sec	

**Product Information:**

Part Number	Ampere Rating	Voltage Rating (VDC)	Stamp Color Code	Terminal Thickness Dimension "A"	Nominal Cold Resistance (mΩ)	Minimum Melting I²t (A² Sec.)
MGGA-100	100	32	Yellow	0.031" / 0.8mm	0.55	31,100
MGGA-125	125	32	Green	0.031" / 0.8mm	0.43	57,800
MGGA-150	150	32	Orange	0.031" / 0.8mm	0.35	100,000
MGGA-175	175	32	White/Clear	0.031" / 0.8mm	0.27	168,000
MGGA-200	200	32	Blue	0.031" / 0.8mm	0.26	204,000
MGGA-225	225	32	Tan	0.039" / 1.0mm	0.23	257,000
MGGA-250	250	32	Pink	0.039" / 1.0mm	0.19	389,000
MGGA-300	300	32	Gray	0.039" / 1.0mm	0.22	513,000

**Product Dimensions: Inches [mm]**



Note: All specifications subject to change without notice.

Rev C 08/2017 - Page: 1/2  
 Code:J01-01H

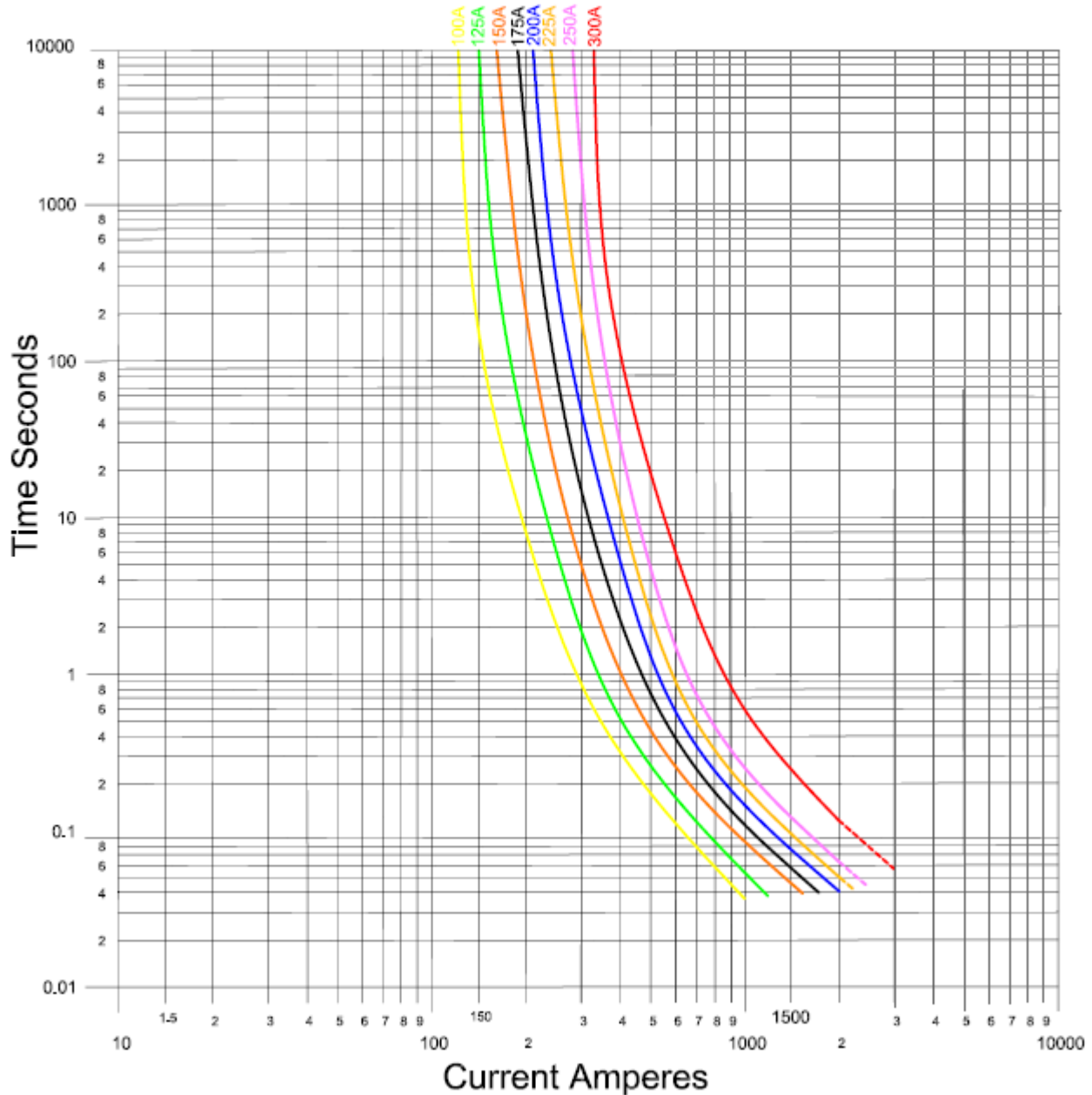
1. MEGA® is a registered trademark of Littelfuse.

**Type MGGA  
Slow Blow Automotive (MEGA®)<sup>1</sup>  
Limiter Fuse  
2" (50.8mm) Center to Center**



www.optifuse.com (619) 593-5050

**Average Time Current Curves:**



**Warning:**



- Operation beyond the specified maximum ratings or improper use may result in damage and possible electrical arcing and/or flame.
- Limiter Fuses are intended for occasional overcurrent protection. Application for repeated overcurrent condition and/or prolonged trip are not anticipated.
- Avoid contact of Limiter Fuses with chemical solvent. Prolonged contact will damage the device performance.

Note: All specifications subject to change without notice.

Rev C 08/2017 - Page: 2/2  
Code:J01-01H

1. MEGA® is a registered trademark of Littelfuse.