

5650870-4 Product Details

No Image Available

5650870-4

TE Internal Number: 5650870-4

 Active

ASSEMBLY,RECEPTACLE,EURO,TYPE

 Always EU RoHS/ELV Compliant (Statement of Compliance)

Documentation & Additional Information

Product Drawings:

- [ASSEMBLY, RECEPTACLE, EUROCARD, TYPE R, LEAD-FREE, A...](#) (PDF, English)

Catalog Pages/Data Sheets:

- None Available

Product Specifications:

- None Available

Application Specifications:

- [Eurocard Connectors Types B,C,M,Q,R, & Enhanced Typ...](#) (PDF, English)

Instruction Sheets:

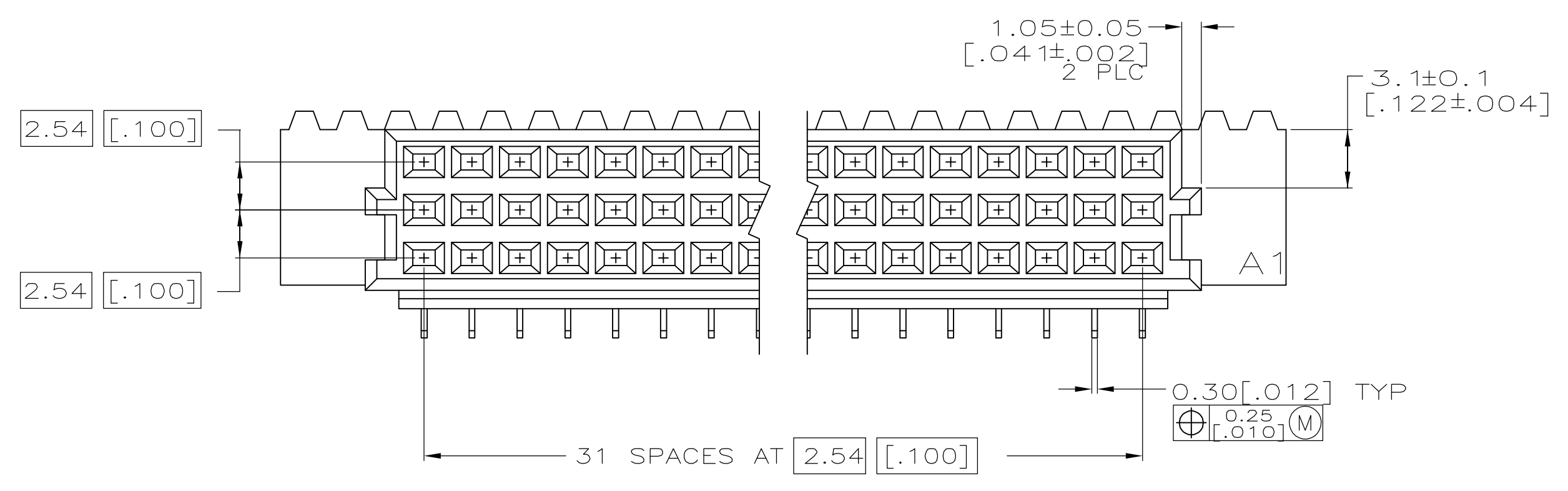
- None Available

CAD Files: (CAD Format & Compression Information)

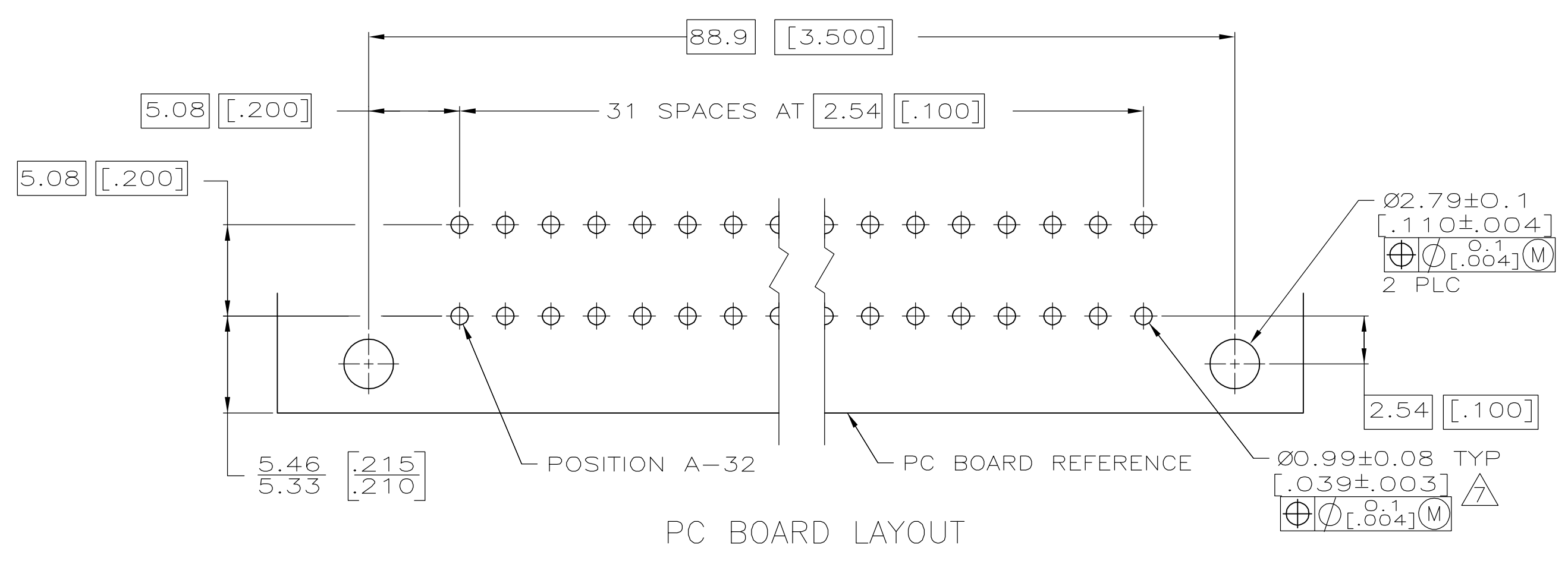
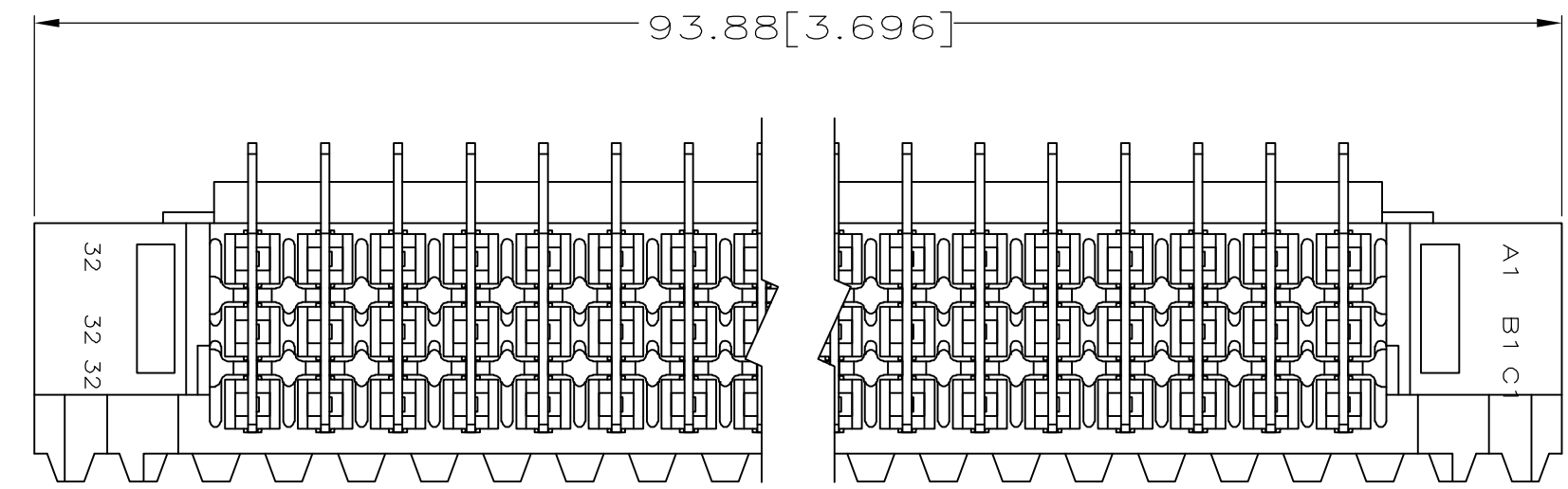
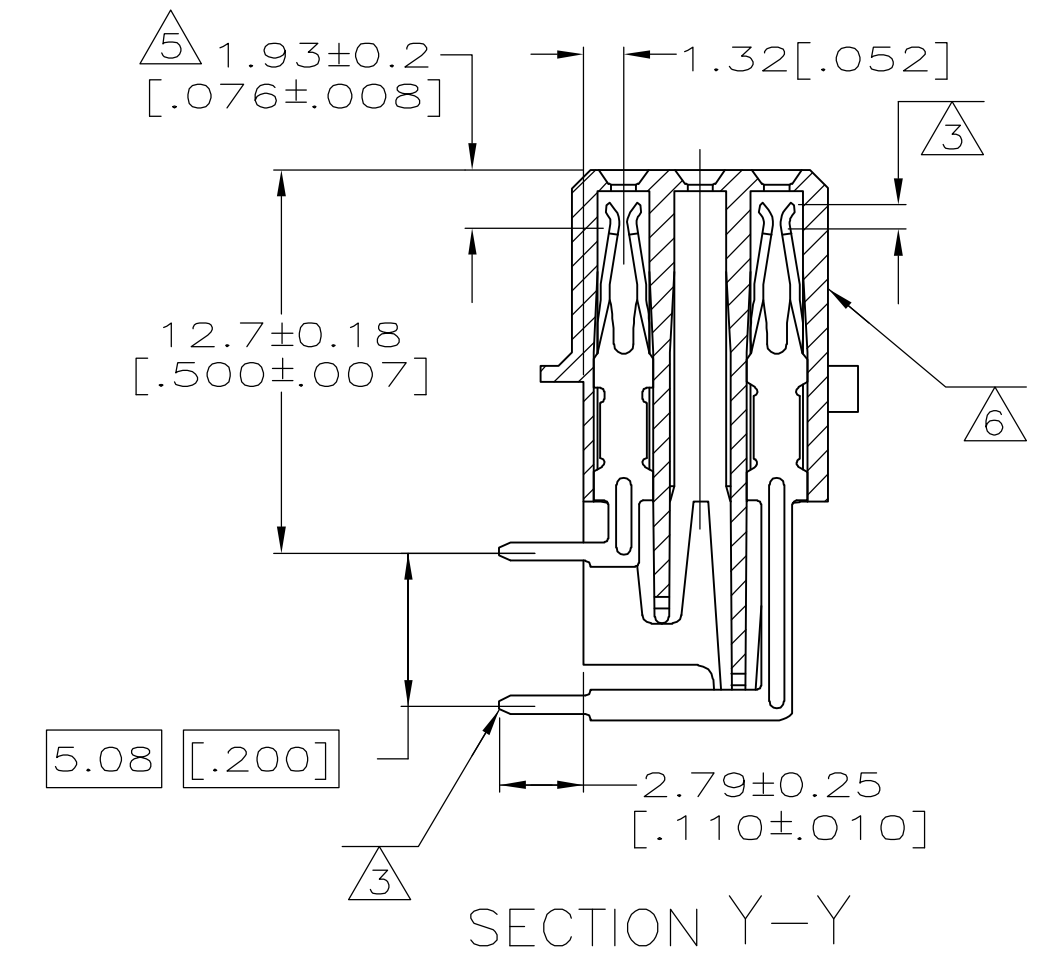
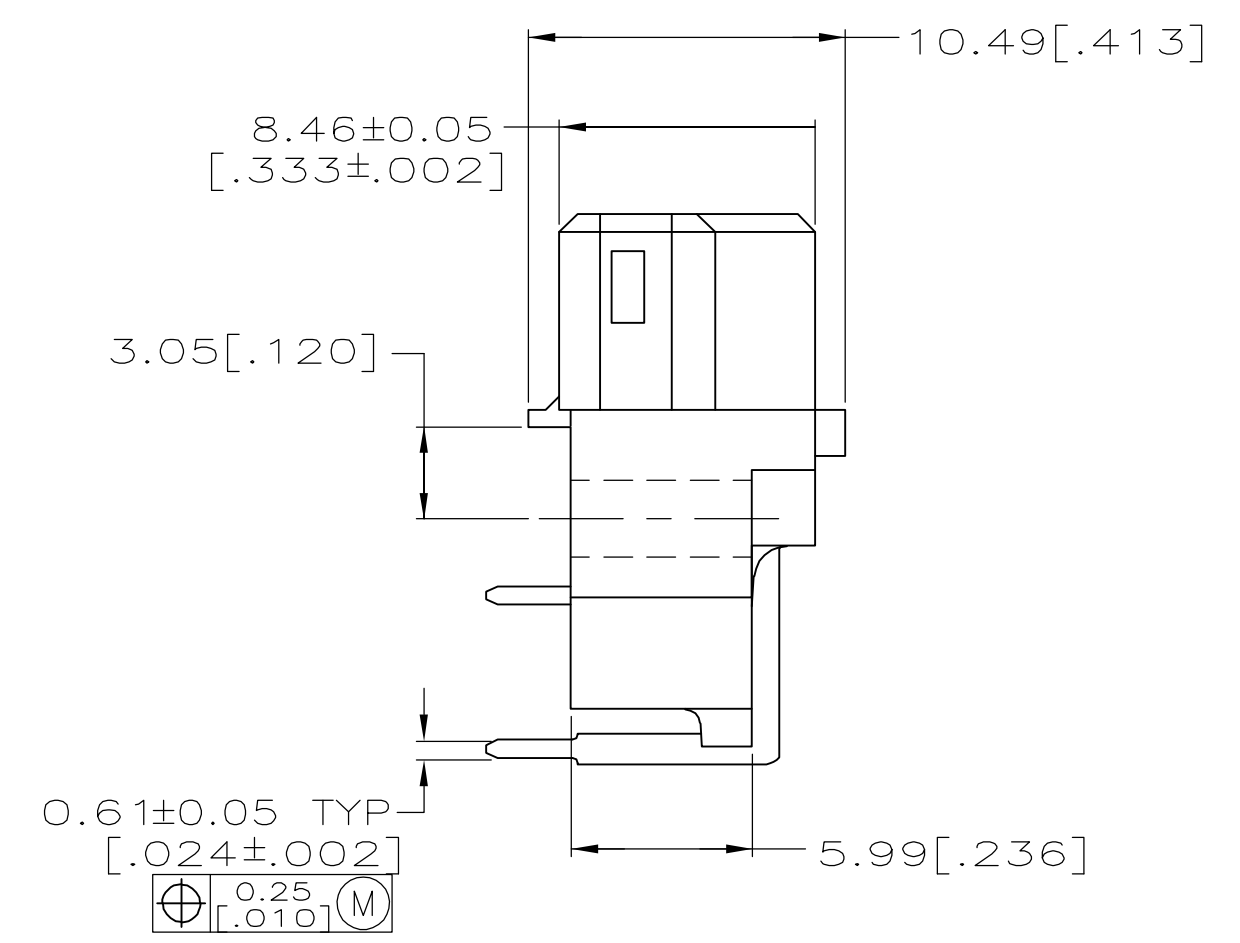
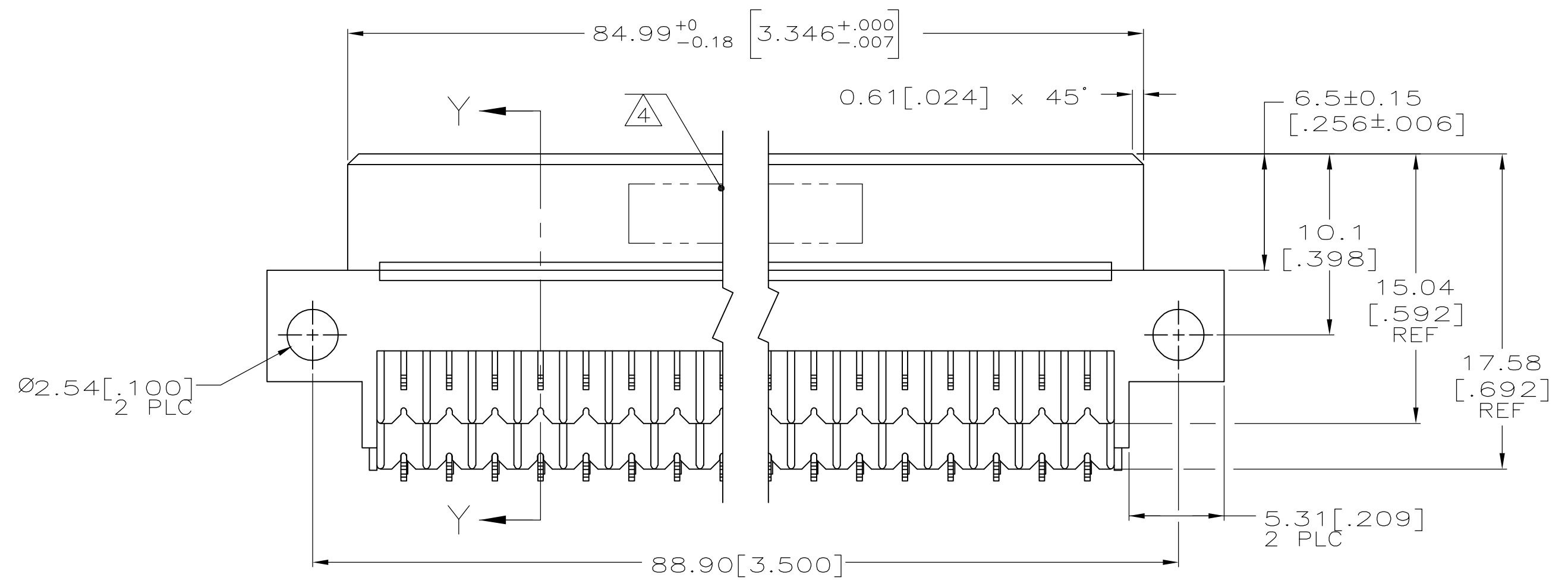
- [2D Drawing](#) (DXF, Version 0)
- [3D Model](#) (IGES, Version 0)
- [3D Model](#) (STEP, Version 0)

Related Products:

- [Tooling](#)



- 1 HOUSING MATERIAL: GLASS-FILLED POLYMER.
- 2 CONTACT MATERIAL: COPPER ALLOY.
- 3 CONTACT FINISH: DIN 41612 CLASS 2 IN CONTACT AREA. TIN PLATE ON POSTS.
- 4 PART NUMBER, DATE CODE IDENTIFICATION, CSA LOGO, THIS APPROXIMATE AREA.
- 5 CONTACT POINT.
- 6 MARKING ON THIS SIDE.
- 7 RECOMMENDED HOLE SIZE FOR MANUAL APPLICATION OF CONNECTOR ONTO PC BOARD.



1 THRU 32	X	-	X	64	5650870-5
1 THRU 32	X	-	X	64	5650870-4
NOTES	POSITIONS LOADED	ROWS LOADED	NO. OF LOADED POSITION	ASSY PART NUMBER	

THIS DRAWING IS A CONTROLLED DOCUMENT.

DIMENSIONS: mm [INCHES]	TOLERANCES UNLESS OTHERWISE SPECIFIED:	DWN J. POLIGNONE 03JUN05	tyco Electronics Tyco Electronics Corporation Harrisburg, Pa 17105-3608
0 PLC ± -	1 PLC ± -	CHK A. SHARPE 03JUN05	NAME ASSEMBLY, RECEPTACLE, EUROCARD, TYPE R, LEAD-FREE, A and C, 64/96 POSITION, 2.79[.110] SOLDER POSTS
2 PLC ± -	3 PLC ± -	APPD A. SHARPE 03JUN05	SIZE CAGE CODE DRAWING NO RESTRICTED TO
4 PLC ± -	ANGLES ± -	FINISH	WEIGHT - A1 00779 ©=5650870 -
MATERIAL		FINISH	CUSTOMER DRAWING SCALE 4:1 SHEET 1 OF 1 REV 0