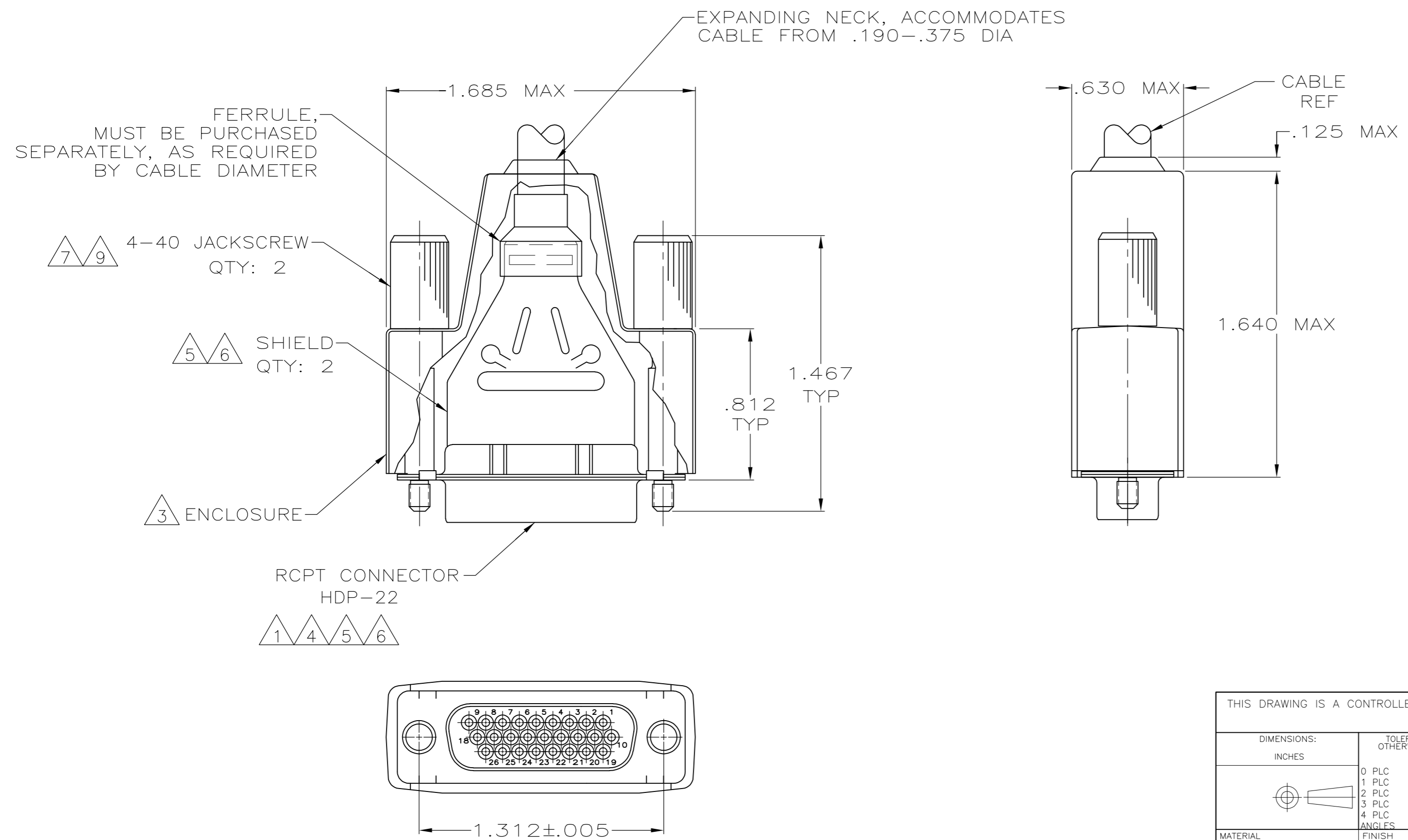


THIS DRAWING IS UNPUBLISHED. RELEASED FOR PUBLICATION
 © COPYRIGHT - By - ALL RIGHTS RESERVED.

LOC	DIST	REVISIONS			
P	LTR	DESCRIPTION	DATE	DWN	APVD
GP	00	C	REVISED PER ECO-13-017159	21DEC2013	KH SB

- 1 RECEPTACLE ACCEPTS SIZE 22 DF SOCKET CONTACTS. CONTACTS MUST BE PURCHASED SEPARATELY.
- 2 ALL PARTS SHIPPED UNASSEMBLED.
- 3 FLAME RETARDANT 94V-0 RATED, STYRENE POLYOLEFIN OR PVC, BLACK.
- 4 FLAME RETARDANT 94V-0 RATED, GLASS FILLED NYLON OR POLYESTER, BLACK.
- 5 STEEL PER ASTM A109.
- 6 TIN PLATING PER MIL-T-10727.
- 7 ZINC NICKEL, TRIVALENT BLACK.
- 8 COMPONENTS INDIVIDUALLY BULK PACKED.
- 9 CARBON STEEL, C1022.



W/ LOGOS	8	1658689-1
REMARKS	PACKAGING	PART NUMBER

THIS DRAWING IS A CONTROLLED DOCUMENT.		DWN 13AUG07 J. POLIGNONE	TE Connectivity													
DIMENSIONS: INCHES		CHK 13AUG07 C. ROHDE														
TOLERANCES UNLESS OTHERWISE SPECIFIED:		APVD 13AUG07 C. ROHDE														
<table border="1"> <tr><td>0 PLC</td><td>± -</td></tr> <tr><td>1 PLC</td><td>± -</td></tr> <tr><td>2 PLC</td><td>± -</td></tr> <tr><td>3 PLC</td><td>± .020</td></tr> <tr><td>4 PLC</td><td>± -</td></tr> <tr><td>ANGLES</td><td>± -</td></tr> </table>		0 PLC	± -	1 PLC	± -	2 PLC	± -	3 PLC	± .020	4 PLC	± -	ANGLES	± -	PRODUCT SPEC	SHIELDING ENCLOSURE KIT, RCPT, SIZE 2, 26 POSN, HDP-22, AMPLIMITE	
0 PLC	± -															
1 PLC	± -															
2 PLC	± -															
3 PLC	± .020															
4 PLC	± -															
ANGLES	± -															
MATERIAL		APPLICATION SPEC	SIZE	RESTRICTED TO												
FINISH		WEIGHT	A2 00779	—												
CUSTOMER DRAWING		SCALE	C=1658689	—												
		SCALE 2:1	SHEET 1 of 1	REV C												

1658689