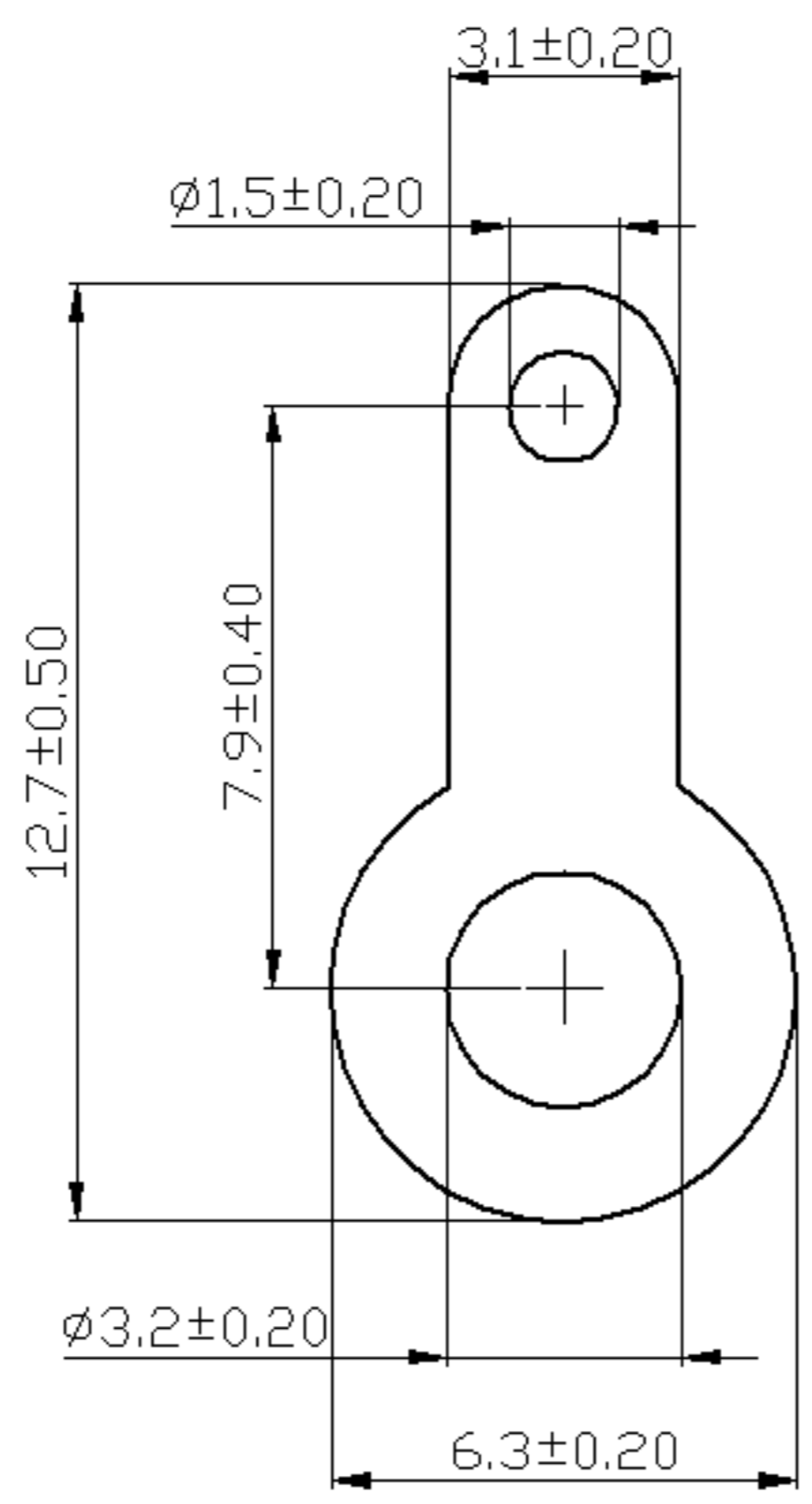


A B C D E F G H

REV	DESCRIPTION	DATE
-----	-------------	------



RS NO. 1867860

*. THICKNESS : 0.35 mm

*. SURFACE TREATMENT : TIN PLATED

Tolerance Unless Otherwise Specified		
0 > 6 mm	± 0.20	ANGLE
6 > 18 mm	± 0.30	0° REF ±
18 > 30 mm	± 0.40	° ±
30 > 75 mm	± 0.50	° ±

A B C D E F G H