

How to Order — Plug

Contact Style	Nomenclature	Part Number	Size	Type	No. of Contacts	Contact Style	Page Reference
Crimp AWG #42-#18 (50 μ inches Gold, BUMP in Plug) Note: Crimp Contacts Sold Separately	DL1-156P	110535-0000	DL1	Plastic Body	156 Pin Connector	Crimp	14
	DLM1-156P	127050-0204	DLM1	Metal Body	156 Pin Connector	Crimp	16
	DLD1-156P	111496-0000	DLD1	Plastic Body	156 Pin Connector	Crimp	19
	DL2-96P	110777-0000	DL2	Plastic Body	96 Pin Connector	Crimp	21
	DLM2-96P	127050-0212	DLM2	Metal Body	96 Pin Connector	Crimp	23
	DLD2-96P	111922-0000	DLD2	Plastic Body	96 Pin Connector	Crimp	26
	DL3-60P	110900-0008	DL3	Plastic Body	60 Pin Connector	Crimp	28
	DLM3-60P	127050-0220	DLM3	Metal Body	60 Pin Connector	Crimp	30
	DL4-624P	110959-0002	DL4	Metal Frame	624 Pin Connector	Crimp	33
	DL4-1248P	110959-0003	DL4	Metal Frame	1248 Pin Connector	Crimp	**
	DL4-2496P	110959-0004	DL4	Metal Frame	2496 Pin Connector	Crimp	**
	DL5-260P	111986-0014	DL5	Plastic Body	260 Pin Connector	Crimp	35
	DLM5-260P	127050-0109	DLM5	Metal Body	260 Pin Connector	Crimp	37
DLM6-360P	127050-0034	DLM6	Metal Body	360 Pin Connector	Crimp	40	
Square Post 7,11 (.280) Ext. 50 μ inches Gold, BUMP Std. Square Post \square 0,64 (.025) Factory Installed Solder to PCB Through Hole Interconnect Termination	DL1-156PW6A*	110535-0030	DL1	Plastic Body	156 Pin Connector	Square Post	15
	DLM1-156PW6A*	112134-0000	DLM1	Metal Body	156 Pin Connector	Square Post	17
	DLD1-156PW6A*	111496-0002	DLD1	Plastic Body	156 Pin Connector	Square Post	20
	DL2-96PW6A*	110777-0025	DL2	Plastic Body	96 Pin Connector	Square Post	22
	DLM2-96PW6A*	112136-0000	DLM2	Metal Body	96 Pin Connector	Square Post	24
	DLD2-96PW6A*	111922-0002	DLD2	Plastic Body	96 Pin Connector	Square Post	27
	DL3-60PW6A*	110900-0014	DL3	Plastic Body	60 Pin Connector	Square Post	29
	DLM3-60PW6A*	112138-0000	DLM3	Metal Body	60 Pin Connector	Square Post	31
	DL4-624PW6A*	110959-0042	DL4	Metal Frame	624 Pin Connector	Square Post	34
	DL5-260PW6A*	111986-0000	DL5	Plastic Body	260 Pin Connector	Square Post	36
	DLM5-260PW6A*	112086-0000	DLM5	Metal Body	260 Pin Connector	Square Post	38
	DLM6-360PW6A*	111995-0000	DLM6	Metal Body	360 Pin Connector	Square Post	41
	Square Post 3,18 (.125) Ext. 50 μ inches Gold, BUMP Std. Square Post \square 0,64 (.025) Factory Installed Solder to PCB Through Hole	DL110535-40	110535-0040	DL1	Plastic Body	156 Pin Connector	Square Post
DLM112134-2		112134-0002	DLM1	Metal Body	156 Pin Connector	Square Post	17
DLM112136-2		112136-0002	DLM2	Metal Body	96 Pin Connector	Square Post	24
DLM112138-2		112138-0002	DLM3	Metal Body	60 Pin Connector	Square Post	31
DLM112086-3		112086-0003	DLM5	Metal Body	260 Pin Connector	Square Post	38
DLM111995-7		111995-0007	DLM6	Metal Body	360 Pin Connector	Square Post	41
Wrap Post 15,37 (.605) Ext. 50 μ inches Gold, BUMP Std. Square Post \square 0,64 (.025) Factory Installed		DL1-156PW4A*	110535-0025	DL1	Plastic Body	156 Pin Connector	Wrap Post
	DLM1-156PW4A*	112134-0001	DLM1	Metal Body	156 Pin Connector	Wrap Post	17
	DLD1-156PW4A*	111496-0001	DLD1	Plastic Body	156 Pin Connector	Wrap Post	20
	DL2-96PW4A*	110777-0022	DL2	Plastic Body	96 Pin Connector	Wrap Post	22
	DLM2-96PW4A*	112136-0001	DLM2	Metal Body	96 Pin Connector	Wrap Post	24
	DLD2-96PW4A*	111922-0001	DLD2	Plastic Body	96 Pin Connector	Wrap Post	27
	DL3-60PW4A*	110900-0013	DL3	Plastic Body	60 Pin Connector	Wrap Post	29
	DLM3-60PW4A*	112138-0001	DLM3	Metal Body	60 Pin Connector	Wrap Post	31
	DL4-624PW4A*	110959-0035	DL4	Metal Frame	624 Pin Connector	Wrap Post	34
	DL5-260PW4A*	111986-0003	DL5	Plastic Body	260 Pin Connector	Wrap Post	36
	DLM5-260PW4A*	112086-0002	DLM5	Metal Body	260 Pin Connector	Wrap Post	38
DLM6-360PW4A*	111995-0001	DLM6	Metal Body	360 Pin Connector	Wrap Post	41	
Square Post 7,11 (.280) Ext. 20 μ inches Gold, Hermaphroditic Std. Square Post \square 0,64 (.025) Factory Installed Solder to PCB Through Hole	DL1-156PW6	110535-0026	DL1	Plastic Body	156 Pin Connector	Square Post	15
Wrap Post 15,37 (.605) Ext. 20 μ inches Gold, Hermaphroditic Std. Square Post \square 0,64 (.025) Factory Installed	DL1-156PW4	110535-0012	DL1	Plastic Body	156 Pin Connector	Wrap Post	15
	DL2-96PW4	110777-0008	DL2	Plastic Body	96 Pin Connector	Wrap Post	22
	DL3-60PW4	110900-0006	DL3	Plastic Body	60 Pin Connector	Wrap Post	29
	DL4-624PW4	110959-0011	DL4	Metal Frame	624 Pin Connector	Wrap Post	34
PC / RC 4,50 (.177) Ext. 20 μ inches Gold - 4 A max. Round Tail - \varnothing 0,50 (.020) Factory Installed Solder to PCB Through Hole	DLM1-156PC	127050-0207	DLM1	Metal Body	156 Pin Connector	PC	18
	DLM2-96PC	127050-0215	DLM2	Metal Body	96 Pin Connector	PC	25
	DLM3-60PC	127050-0223	DLM3	Metal Body	60 Pin Connector	PC	32
	DLM5-260PC	127050-0111	DLM5	Metal Body	260 Pin Connector	PC	39
	DLM6-360PC	127050-0097	DLM6	Metal Body	360 Pin Connector	PC	42

Note: 50 μ inches gold contacts (Bump on plug side, Flat on receptacle side) are mandatory for applications with less than 100 milliamps.

How to Order — Receptacle

Contact Style	Nomenclature	Part Number	Size	Type	No. of Contacts	Contact Style	Page Reference
Crimp AWG #42-#18 (50 μ inches Gold, FLAT in Receptacle) Note: Crimp Contacts Sold Separately	DL1-156R	086-0030-000	DL1	Plastic Body	156 Pin Connector	Crimp	14
	DLM1-156R	127050-0208	DLM1	Metal Body	156 Pin Connector	Crimp	16
	DLD1-156R	111497-0004	DLD1	Plastic Body	156 Pin Connector	Crimp	19
	DL2-96R	086-0031-000	DL2	Plastic Body	96 Pin Connector	Crimp	21
	DLM2-96R	127050-0216	DLM2	Metal Body	96 Pin Connector	Crimp	23
	DLD2-96R	111921-0000	DLD2	Plastic Body	96 Pin Connector	Crimp	26
	DL3-60R	086-0032-000	DL3	Plastic Body	60 Pin Connector	Crimp	28
	DLM3-60R	127050-0224	DLM3	Metal Body	60 Pin Connector	Crimp	30
	DL4-624R	110960-0002	DL4	Metal Frame	624 Pin Connector	Crimp	33
	DL4-1248R	110960-0003	DL4	Metal Frame	1248 Pin Connector	Crimp	**
	DL4-2496R	110960-0004	DL4	Metal Frame	2496 Pin Connector	Crimp	**
	DL5-260R	086-4501-000	DL5	Plastic Body	260 Pin Connector	Crimp	35
DLM5-260R	127050-0110	DLM5	Metal Body	260 Pin Connector	Crimp	37	
DLM6-360R	127050-0045	DLM6	Metal Body	360 Pin Connector	Crimp	40	
Square Post 7,11 (.280) Ext. 50 μ inches Gold, FLAT Std. Square Post \square 0,64 (.025) Factory Installed Solder to PCB Through Hole Interconnect Termination	DL1-156RW6B*	110536-1007	DL1	Plastic Body	156 Pin Connector	Square Post	15
	DLM1-156RW6B*	112135-0000	DLM1	Metal Body	156 Pin Connector	Square Post	17
	DLD1-156RW6B*	111497-0010	DLD1	Plastic Body	156 Pin Connector	Square Post	20
	DL2-96RW6B*	110855-0014	DL2	Plastic Body	96 Pin Connector	Square Post	22
	DLM2-96RW6B*	112137-0000	DLM2	Metal Body	96 Pin Connector	Square Post	24
	DLD2-96RW6B*	111921-0002	DLD2	Plastic Body	96 Pin Connector	Square Post	27
	DL3-60RW6B*	110901-0010	DL3	Plastic Body	60 Pin Connector	Square Post	29
	DLM3-60RW6B*	112139-0000	DLM3	Metal Body	60 Pin Connector	Square Post	31
	DL4-624RW6B*	110960-0048	DL4	Metal Frame	624 Pin Connector	Square Post	34
	DL5-260RW6B*	111987-0000	DL5	Plastic Body	260 Pin Connector	Square Post	36
	DLM5-260RW6B*	112087-0000	DLM5	Metal Body	260 Pin Connector	Square Post	38
	DLM6-360RW6B*	111996-0001	DLM6	Metal Body	360 Pin Connector	Square Post	41
Square Post 3,18 (.125) Ext. 50 μ inches Gold, FLAT Std. Square Post \square 0,64 (.025) Factory Installed Solder to PCB Through Hole	DL110536-1011	110536-1011	DL1	Plastic Body	156 Pin Connector	Square Post	15
	DLM112135-2	112135-0002	DLM1	Metal Body	156 Pin Connector	Square Post	17
	DLM112137-2	112137-0002	DLM2	Metal Body	96 Pin Connector	Square Post	24
	DLM112139-2	112139-0002	DLM3	Metal Body	60 Pin Connector	Square Post	31
	DLM112087-3	112087-0003	DLM5	Metal Body	260 Pin Connector	Square Post	38
	DLM111996-5	111996-0005	DLM6	Metal Body	360 Pin Connector	Square Post	41
	Wrap Post 15,37 (.605) Ext. 50 μ inches Gold, FLAT Std. Square Post \square 0,64 (.025) Factory Installed	DL1-156RW4B*	110536-1006	DL1	Plastic Body	156 Pin Connector	Wrap Post
DLM1-156RW4B*		112135-0001	DLM1	Metal Body	156 Pin Connector	Wrap Post	17
DLD1-156RW4B*		111497-0009	DLD1	Plastic Body	156 Pin Connector	Wrap Post	20
DL2-96RW4B*		110855-0013	DL2	Plastic Body	96 Pin Connector	Wrap Post	22
DLM2-96RW4B*		112137-0001	DLM2	Metal Body	96 Pin Connector	Wrap Post	24
DLD2-96RW4B*		111921-0001	DLD2	Plastic Body	96 Pin Connector	Wrap Post	27
DL3-60RW4B*		110901-0009	DL3	Plastic Body	60 Pin Connector	Wrap Post	29
DLM3-60RW4B*		112139-0001	DLM3	Metal Body	60 Pin Connector	Wrap Post	31
DL4-624RW4B*		110960-0045	DL4	Metal Frame	624 Pin Connector	Wrap Post	34
DL5-260RW4B*		111987-0001	DL5	Plastic Body	260 Pin Connector	Wrap Post	36
DLM5-260RW4B*		112087-0001	DLM5	Metal Body	260 Pin Connector	Wrap Post	38
DLM6-360RW4B*		111996-0000	DLM6	Metal Body	360 Pin Connector	Wrap Post	41
Square Post 7,11 (.280) Ext. 20 μ inches Gold, Hermaphroditic Std. Square Post \square 0,64 (.025) Factory Installed Solder to PCB Through Hole	DL1-156RW6	110536-1009	DL1	Plastic Body	156 Pin Connector	Square Post	15
Wrap Post 15,37 (.605) Ext. 20 μ inches Gold, Hermaphroditic Std. Square Post \square 0,64 (.025) Factory Installed	DL1-156RW4	110536-1003	DL1	Plastic Body	156 Pin Connector	Wrap Post	15
	DL2-96RW4	110855-0008	DL2	Plastic Body	96 Pin Connector	Wrap Post	22
	DL3-60RW4	110901-0004	DL3	Plastic Body	60 Pin Connector	Wrap Post	29
	DL4-624RW4	110960-0022	DL4	Metal Frame	624 Pin Connector	Wrap Post	34
PC / RC 4,50 (.177) Ext. 20 μ inches Gold - 4 A max. Round Tail - \varnothing 0,50 (.020) Factory Installed Solder to PCB Through Hole	DLM1-156RC	127050-0211	DLM1	Metal Body	156 Pin Connector	RC	18
	DLM2-96RC	127050-0219	DLM2	Metal Body	96 Pin Connector	RC	25
	DLM3-60RC	127050-0227	DLM3	Metal Body	60 Pin Connector	RC	32
	DLM5-260RC	127050-0112	DLM5	Metal Body	260 Pin Connector	RC	39
	DLM6-360RC	127050-0098	DLM6	Metal Body	360 Pin Connector	RC	42

Note: 50 μ inches gold contacts (Bump on plug side, Flat on receptacle side) are mandatory for applications with less than 100 milliamps.

DLM1 — Metal Body — 156 Pin Connectors — Crimp Contacts

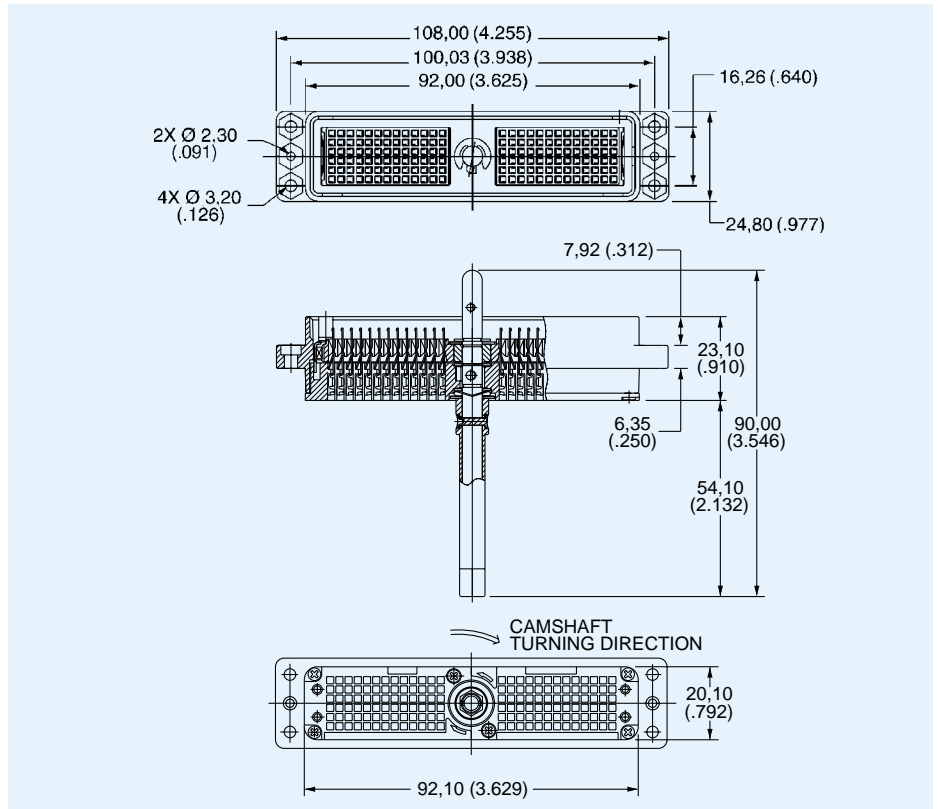
Plug

DLM1, DLM1, DLM1



- For contact cavity arrangement, see page 68.
- For panel cutout and mounting hole pattern, see page 65.
- Crimp contacts are to be ordered separately and installed by customer, see pages 52-53.
- Order actuating handle kit separately, see page 47.

Part Number	Nomenclature
127050-0204	DLM1-156P

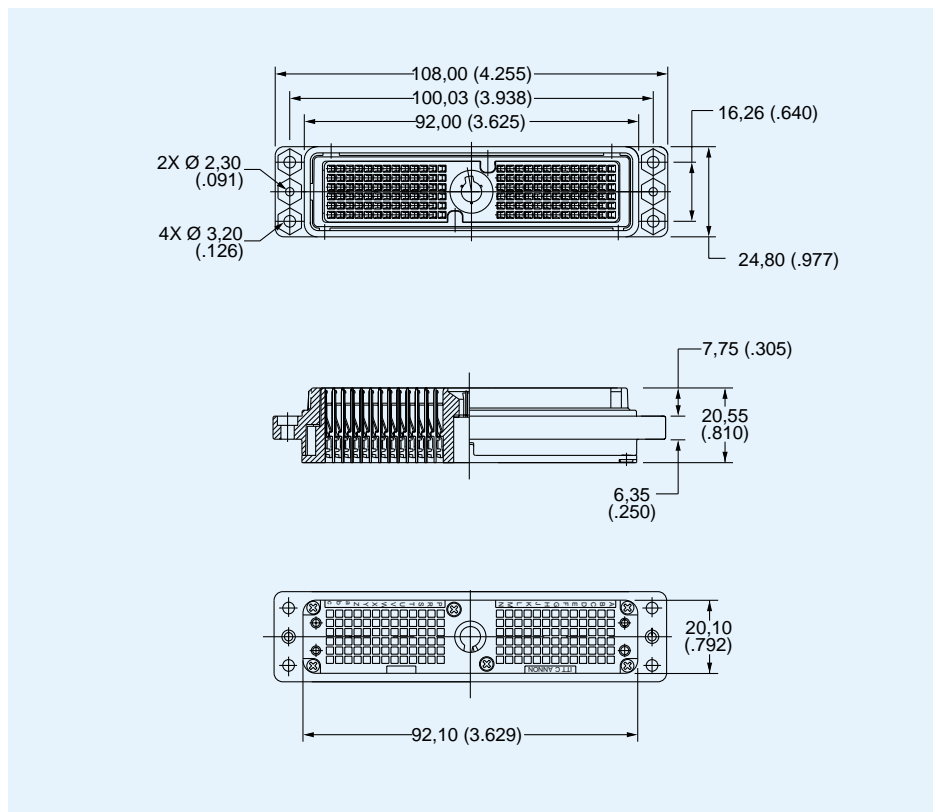


Receptacle



- For contact cavity arrangement, see page 68.
- For panel cutout and mounting hole pattern, see page 65.
- Crimp contacts are to be ordered separately and installed by customer, see pages 52-53.

Part Number	Nomenclature
127050-0208	DLM1-156R



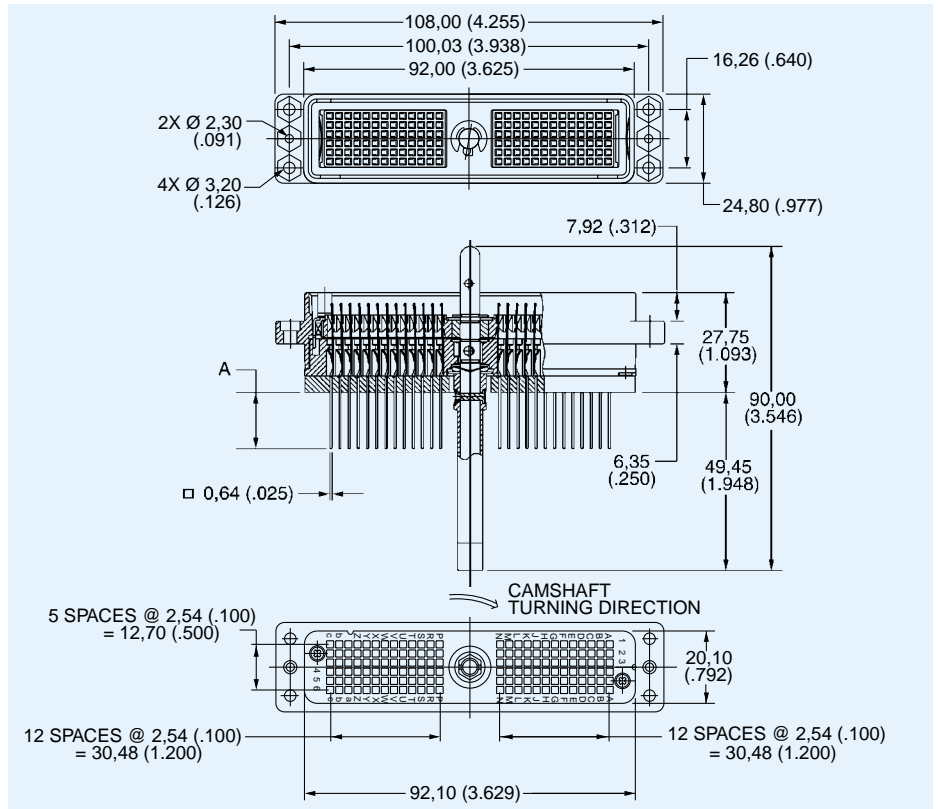
DLM1 — Metal Body — 156 Pin Connectors — Square Post Contacts

Plug



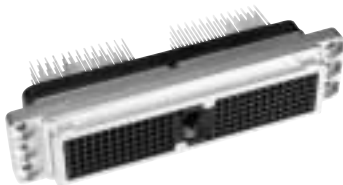
- For contact cavity arrangement, see page 68.
- For panel cutout and mounting hole pattern, see page 65.
- For PC hole pattern, see page 60.
- Front Removable 0,64 (.025) Square Posts 2,54 (.100) Centers.
- Order actuating handle kit separately, see page 47.

Part Number	Nomenclature	A
112134-0001	DLM1-156PW4A	15,37 (.605)
112134-0000	DLM1-156PW6A	7,11 (.280)
112134-0002	DLM112134-2	3,18 (.125)



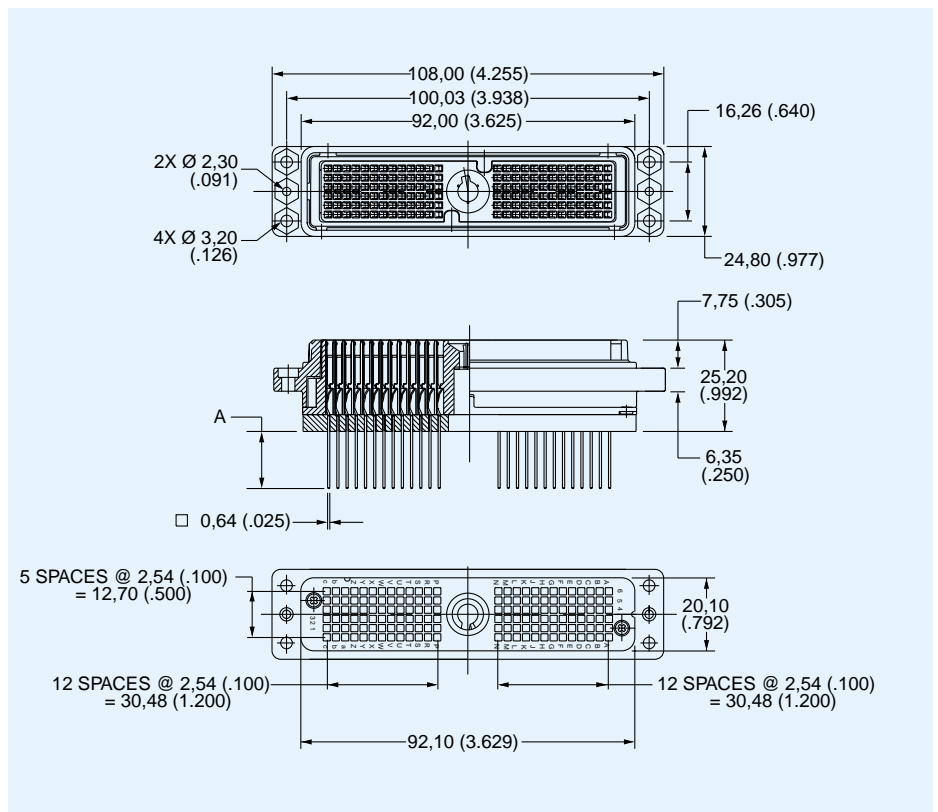
DLM1, DLM1, DLM1

Receptacle



- For contact cavity arrangement, see page 68.
- For panel cutout and mounting hole pattern, see page 65.
- For PC hole pattern, see page 60.
- Front Removable 0,64 (.025) Square Posts 2,54 (.100) Centers.

Part Number	Nomenclature	A
112135-0001	DLM1-156RW4B	15,37 (.605)
112135-0000	DLM1-156RW6B	7,11 (.280)
112135-0002	DLM112135-2	3,18 (.125)



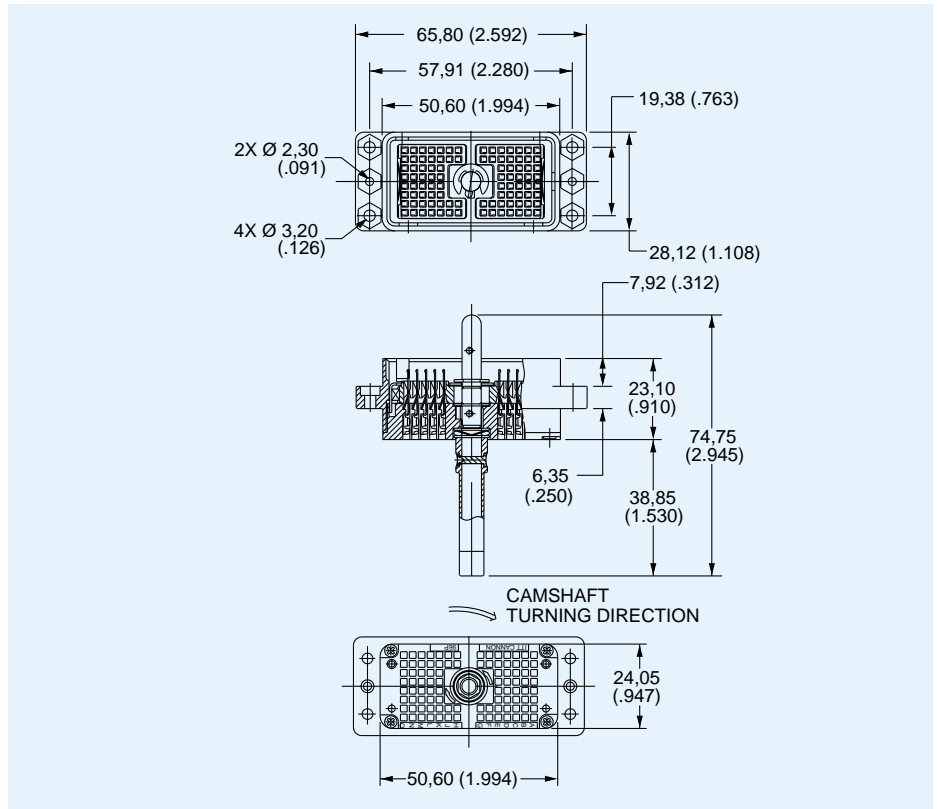
DLM2 — Metal Body — 96 Pin Connectors — Crimp Contacts

Plug



- For contact cavity arrangement, see page 68.
- For panel cutout and mounting hole pattern, see page 65.
- Crimp contacts are to be ordered separately and installed by customer, see pages 52-53.
- Order actuating handle kit separately, see page 47.

Part Number	Nomenclature
127050-0212	DLM2-96P



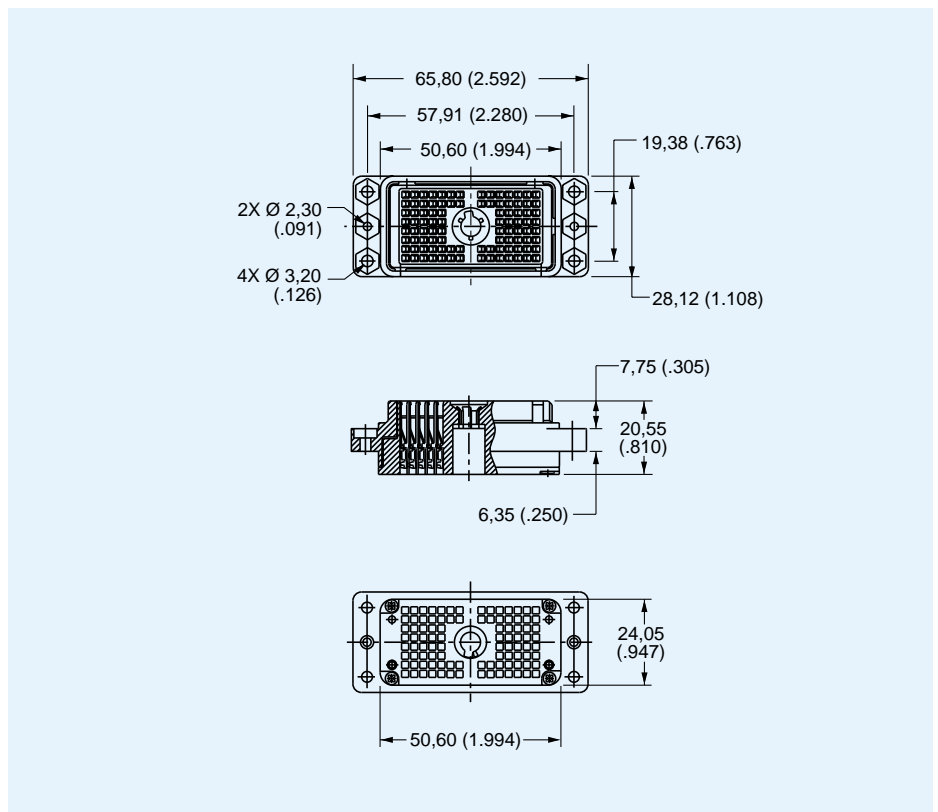
DLM2, DLM2, DLD2

Receptacle



- For contact cavity arrangement, see page 68.
- For panel cutout and mounting hole pattern, see page 65.
- Crimp contacts are to be ordered separately and installed by customer, see pages 52-53.

Part Number	Nomenclature
127050-0216	DLM2-96R



DLM2 — Metal Body — 96 Pin Connectors — Square Post Contacts

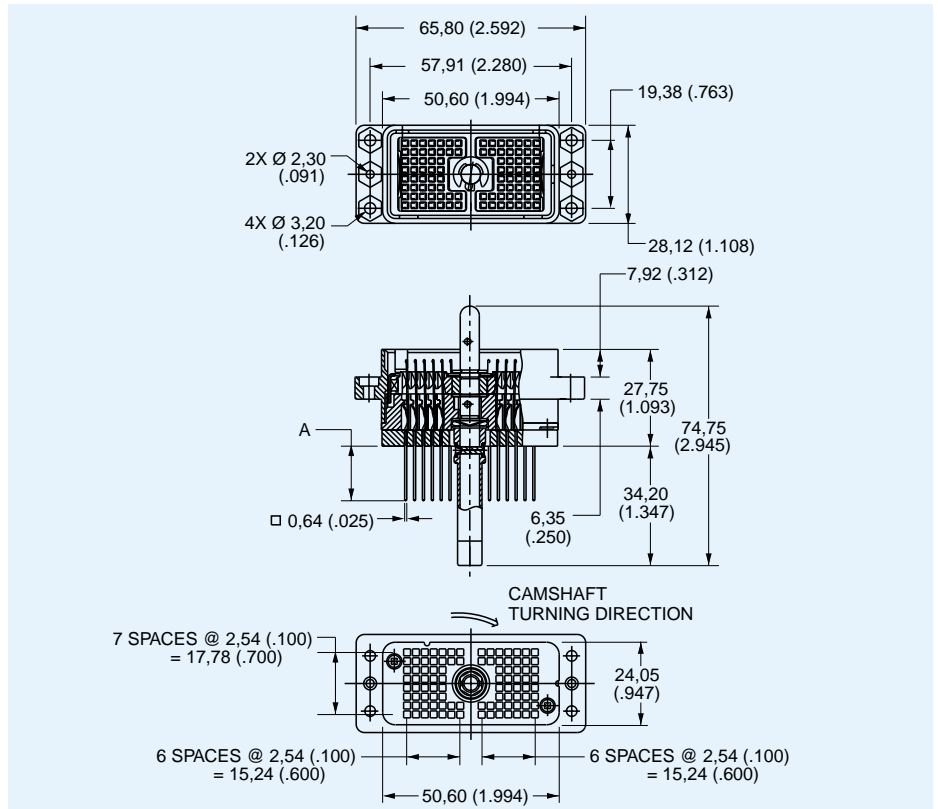
Plug



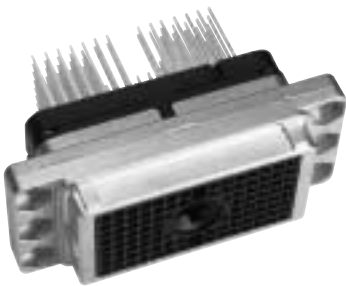
DLM2, DLM2, DLM2

- For contact cavity arrangement, see page 68.
- For panel cutout and mounting hole pattern, see page 65.
- For PC hole pattern, see page 61.
- Front Removable 0,64 (.025) Square Posts 2,54 (.100) Centers.
- Order actuating handle kit separately, see page 47.

Part Number	Nomenclature	A
112136-0001	DLM2-96PW4A	15,37 (.605)
112136-0000	DLM2-96PW6A	7,11 (.280)
112136-0002	DLM112136-2	3,18 (.125)

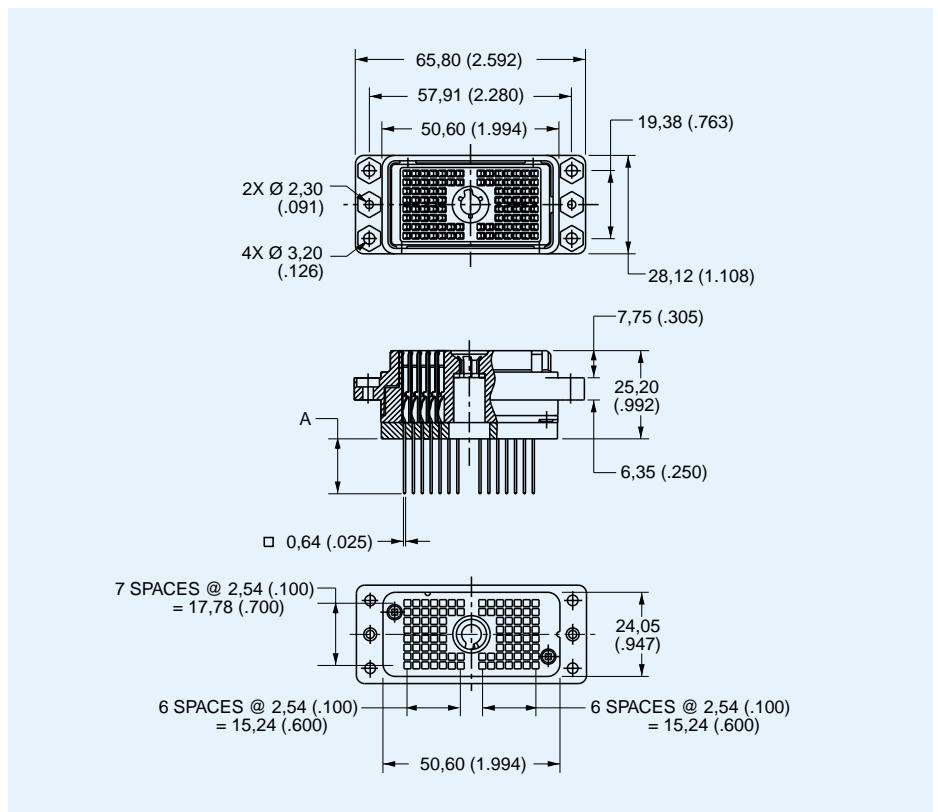


Receptacle



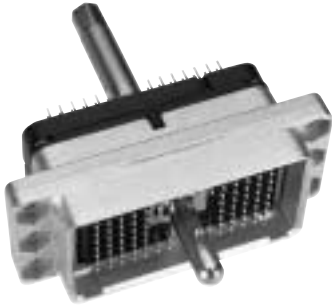
- For contact cavity arrangement, see page 68.
- For panel cutout and mounting hole pattern, see page 65.
- For PC hole pattern, see page 61.
- Front Removable 0,64 (.025) Square Posts 2,54 (.100) Centers.

Part Number	Nomenclature	A
112137-0001	DLM2-96RW4B	15,37 (.605)
112137-0000	DLM2-96RW6B	7,11 (.280)
112137-0002	DLM112137-2	3,18 (.125)



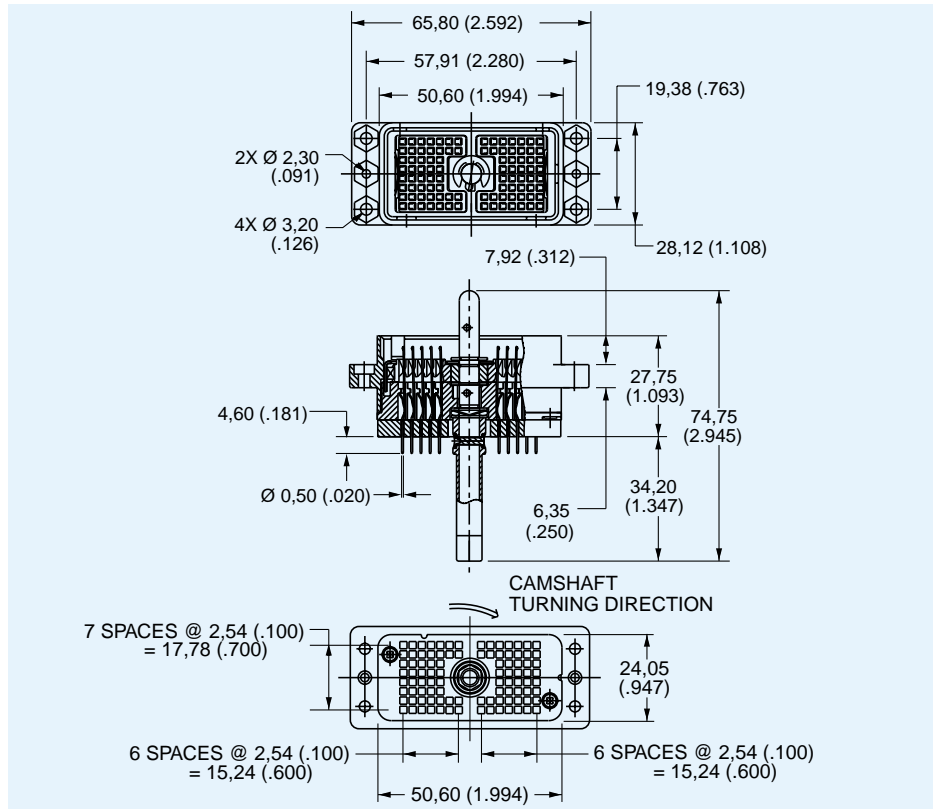
DLM2 — Metal Body — 96 Pin Connectors — PC/RC Contacts

Plug



- For contact cavity arrangement, see page 68.
- For panel cutout and mounting hole pattern, see page 65.
- For PC hole pattern, see page 61.
- Order actuating handle kit separately, see page 47.

Part Number	Nomenclature
127050-0215	DLM2-96PC



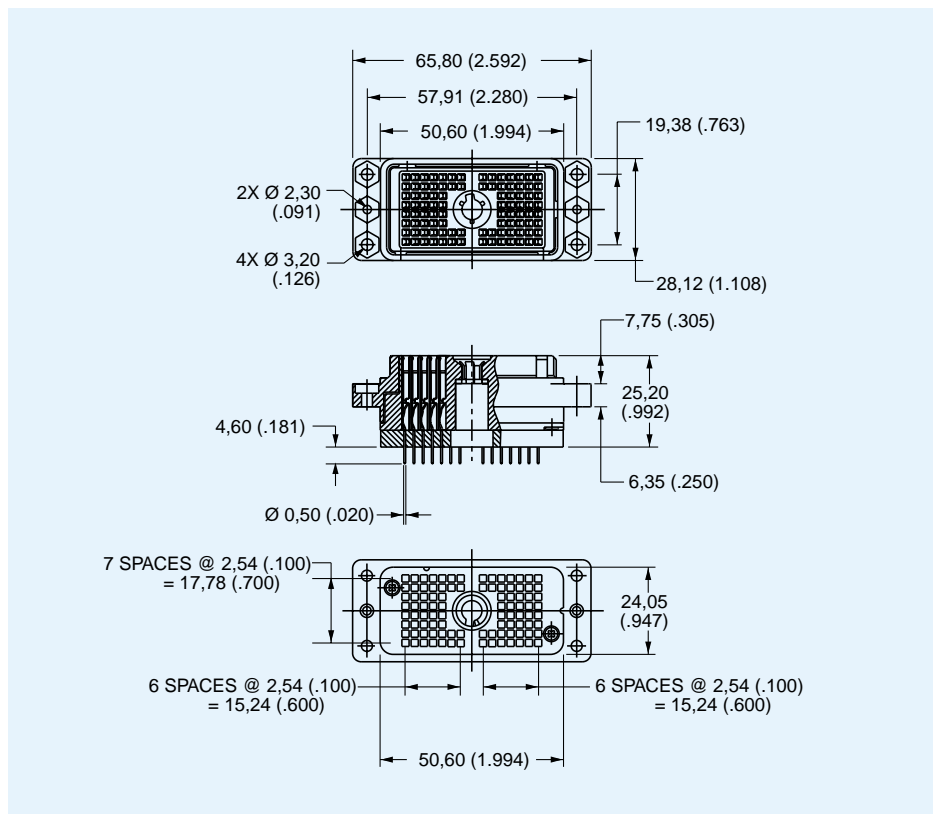
DL2, DLM2, DLD2

Receptacle



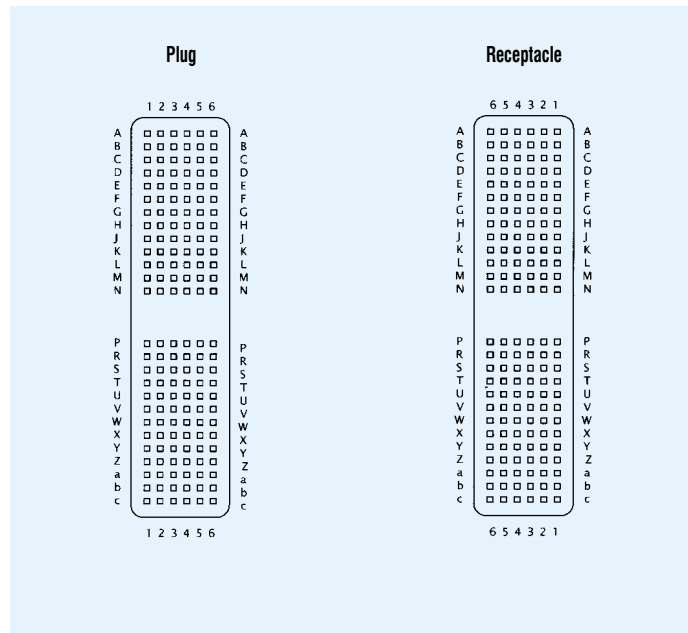
- For contact cavity arrangement, see page 68.
- For panel cutout and mounting hole pattern, see page 65.
- For PC hole pattern, see page 61.

Part Number	Nomenclature
127050-0219	DLM2-96RC

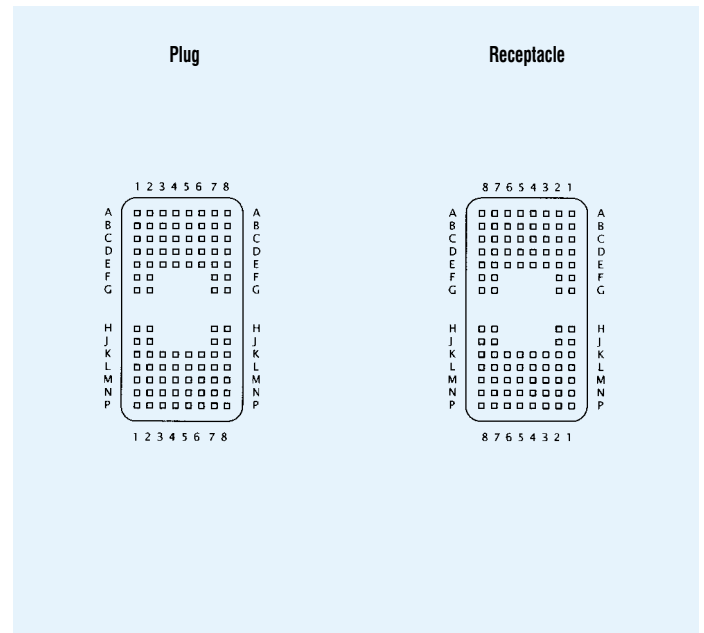


Contact Cavity Arrangements – Rear View

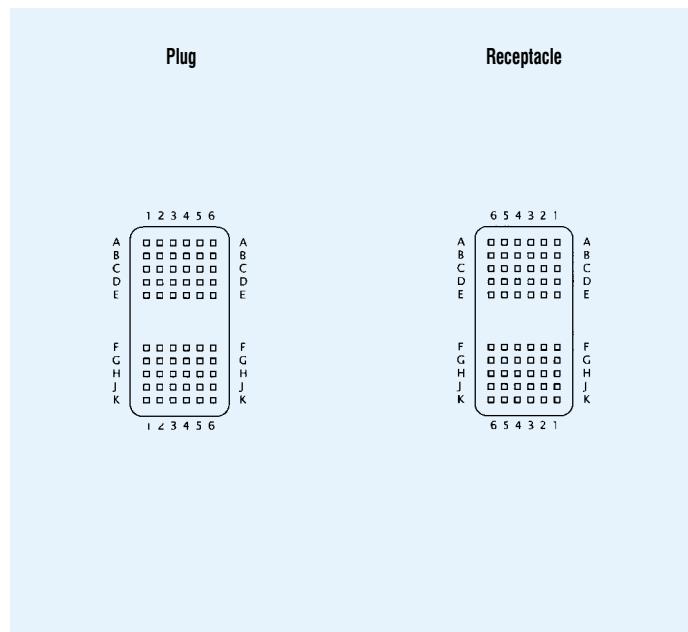
DL1-156/DLM1-156/DLD1-156



DL2-96/DLM2-96/DLD2-96

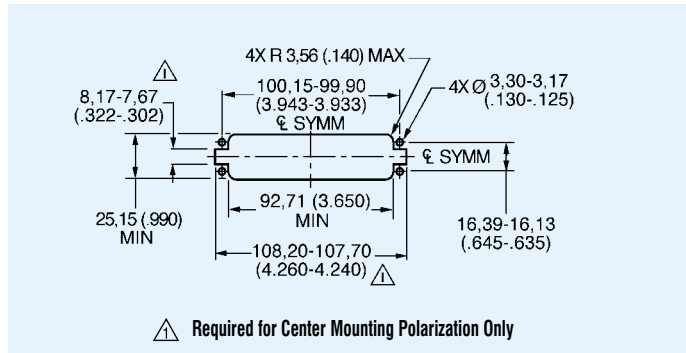


DL3-60/DLM3-60

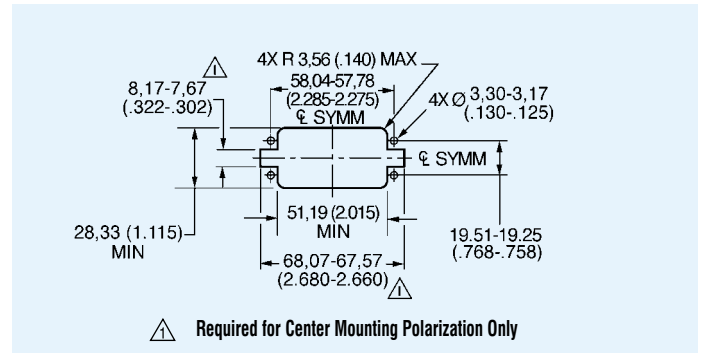


DL/DLM Panel Cutouts and Mounting Hole Patterns

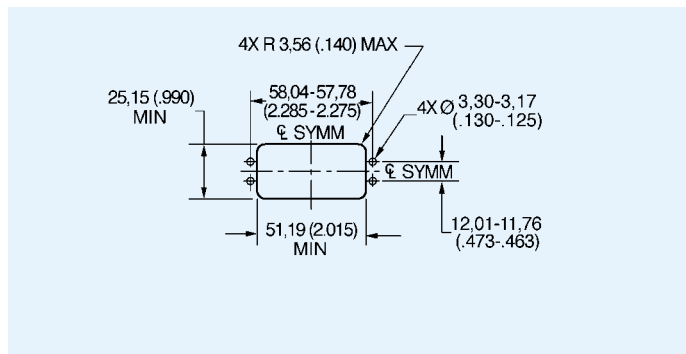
DL1-156/DLM1-156



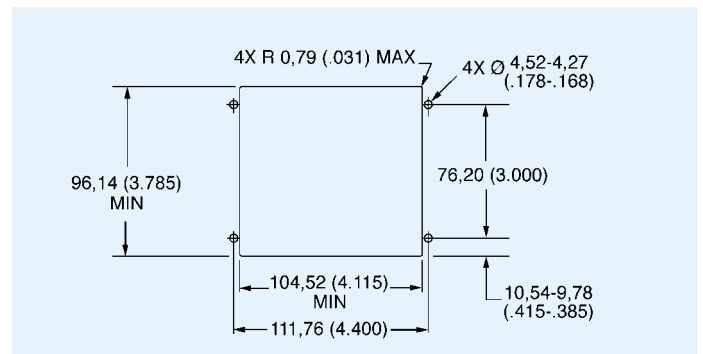
DL2-96/DLM2-96



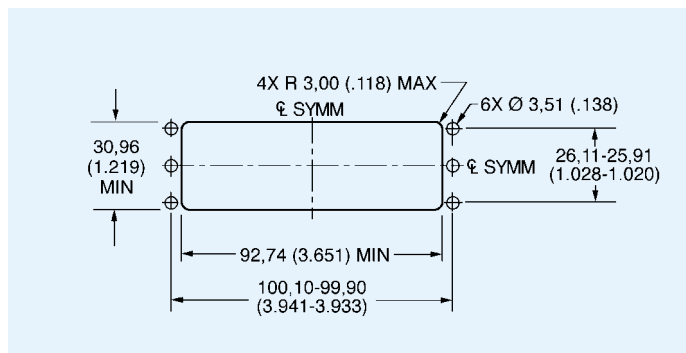
DL3-60/DLM3-60



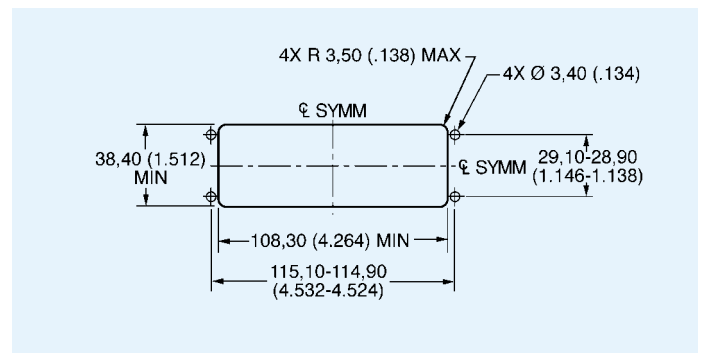
DL4-624



DL5-260/DLM5-260



DLM6-360



Crimp Contacts — Loose

Loose

50µ inch gold contacts:

- Recommended for all applications.
- Offer the broadest amperage range.
- Mandatory for low current applications (less than 100 milliamps).

Material:	Copper Alloy
Finish:	Gold over nickel
Extraction Tool:	274-7029-007
Insertion Tool:	None Required

Plug (Bump)



Receptacle (Flat)

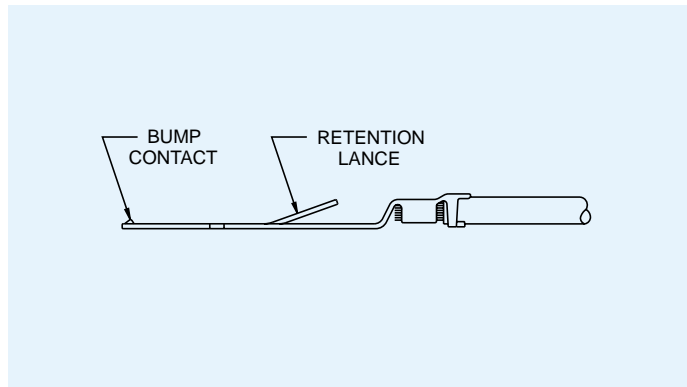


Wire Accommodation	Plug 50µInch Gold Bump●	Receptacle 50µInch Gold Flat●	Plug and Receptacle 20µInch Gold	Hand Tool (Page 55)
36 thru 38 AWG	—	—	127000-2207 + *	▲
28 thru 32 AWG	030-2416-003	030-2494-001	030-2416-001 ■	1
24 thru 26 AWG	030-2410-003	030-2492-001	030-2410-001 ■	2
20 thru 22 AWG	030-2409-003	030-2491-001	030-2409-001 ■	2
18 thru 20 AWG ◆	030-2415-003	030-2493-001	030-2415-001 ■	3

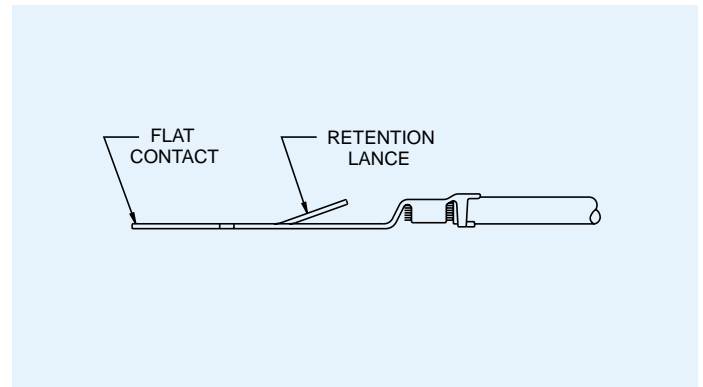
Note: For more information on tools and assembly, see pages 54-59.

- ◆ Non Insulation Support
- + Sold in lots of 100 pieces.
- For low current applications (less than 100 milliamps) use 50µ inch gold (bump) contact on plug side and 50µ inch flat gold (flat) contact on receptacle side.
- ▲ Contact Factory for tool.
- * Finish: 20µ inch gold in mating area/Gold flash on balance (terminating end).
- Finish: 20µ inch gold in mating area/Tin lead on balance (terminating end).

Plug (Bump)



Receptacle (Flat)



Crimp Contacts — Reeled

Reeled

50µ inch gold contacts:

- Recommended for all applications.
- Offer the broadest amperage range.
- Mandatory for low current applications (less than 100 milliamps).

Material: Copper Alloy
 Finish: Gold over nickel
 Extraction Tool: 274-7029-007
 Insertion Tool: None Required

Note: Automatic tooling is recommended for volume over 50K per year, see page 59.

Plug (Bump)



Receptacle (Flat)



Wire Accommodation	Plug 50µInch Gold Bump ●	Receptacle 50µInch Gold Flat ●	Plug and Receptacle 20µInch Gold	Hand Tool (Page 55)
40 thru 42 AWG	—	—	127000-2278*	▲
36 thru 38 AWG	—	—	127000-1271*	▲
28 thru 32 AWG	110238-0482	110238-0486	110238-0403 ■	1
24 thru 26 AWG	110238-0480	110238-0484	110238-0401 ■	2
20 thru 22 AWG	110238-0479	110238-0483	110238-0400 ■	2
18 thru 20 AWG ◆	110238-0481	110238-0485	110238-0402 ■	3

Note: For more information on tools and assembly, see pages 54-59.

- ◆ Non Insulation Support
- For low current applications (less than 100 milliamps) use 50µ inch gold (bump) contact on plug side and 50µ inch gold (flat) contact on receptacle side.
- ▲ Contact Factory for tool.
- * Finish: 20µ inch gold in mating area/Gold flash on balance (terminating end).
- Finish: 20µ inch gold in mating area/Tin lead on balance (terminating end).

Actuating Handle Kit

DL1/2/3 & DLM1/2/3



- Provides a convenient method of actuating the contacts and cam for locking the connector.
- Kit provides actuating handle and attaching screw.
- Pointer on handle denotes “locked” and “open” positions.

DL5, DLM5



Handle Material: Glass-filled thermoplastic

DLM6



Handle for:	Part Number
DL1/2/3, DLM1/2/3	204-0016-000
DL5, DLM5	204-4501-000
DLM6	204-4500-000

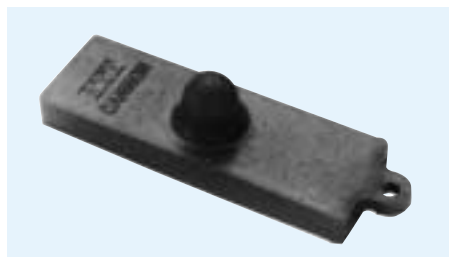
Protective Covers

Protective Covers – Rubber

- Fits snugly over mating faces.
- Prevents foreign matter from permeating contact cavities.

Material: Anti-static synthetic rubber – ASTM2BC520A14B14Z1.

DL, DLM Plug



Description	Part Number
DL1-156P	039-0242-000
DL2-96P	039-0244-000
DL3-60P	039-0246-000
DL4-624P	039-0239-000
DL4-1248P	039-0235-000
DL4-2496P	039-0237-000

DL, DLM Receptacle



Description	Part Number
DL1-156R	039-0243-000
DL2-96R	039-0245-000
DL3-60R	039-0247-000
DL4-624R	039-0240-000
DL4-1248R	039-0236-000
DL4-2496R	039-0238-000

Protective Covers – Plastic

- Fits snugly over mating faces.
- Prevents foreign matter from permeating contact cavities.

Material: Polyethylene.

DL, DLM Plug



Description	Part Number
DL1-156P	025-0852-000
DL2-96P	025-0857-000
DL3-60P	025-0850-000