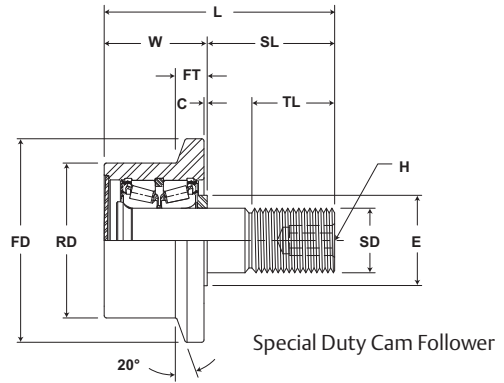


# MCGILL® TRAKROL Cam Follower Bearings



- Basic Construction Type:** Stud Type Flanged Outside Diameter
- Rolling Elements:** Ball or Tapered Roller Bearing Insert
- Bearing Material:** Bearing Quality Steel
- Seal Type:** Metal Extension Plug and Rubber Lip Seal Ball Bearing with Additional NYLAPLATE Seal
- Lubrication:** Polyurea Thickened Grease NLGI #2
- Stem Configuration:** Concentric / Eccentric / Heavy Stud
- Mounting Feature:** Hex Hole on Thread Face



## FCF

Part No.	Insert Type	RD	W	FD	FT	SD		SL	C	TL	L	Track Roller Dynamic Rating	Thrust Capacity	Track Roller Static Rating
With LUBRI-DISC Seals	Ball or Tapered Roller Bearing	Roller Diameter	Roller Width	Flange		Stud Diameter		Stud Length	Endplate Extension	Minimum Thread Length	Length Overall	lb/N	lb/N	lb/N
		inch mm		inch mm		inch mm		inch mm		inch mm				
		(Ref)	(Ref)	(Ref)	(Ref)	Nom	Tol	(Ref)	(Ref)	(Ref)	(Ref)			
FCF 1 1/2 FCFE 1 1/2	BB	1.50 38.1	1.188 30.16	2.19 55.6	.34 8.7	.625 15.9	+0 / -0.001 +0 / - 0.03	1.50 38.1	.06 1.6	.75 19.1	2.69 68.3	2,520 11,209	1,320 5,871	1,370 6,094
FCF 1 3/4 FCFE 1 3/4	BB	1.75 44.5	1.188 30.16	2.44 61.9	.34 8.7	.750 19.1	+0 / -0.001 +0 / - 0.03	1.75 44.5	.06 1.6	.88 22.2	2.94 74.6	2,520 11,209	1,320 5,871	1,370 6,094
FCF 2 1/2 FCFE 2 1/2	BB	2.50 63.5	1.688 42.86	3.19 81.0	.59 15.1	1.00 25.4	+0 / -0.001 +0 / - 0.03	2.25 57.2	.06 1.6	1.50 38.1	3.94 100.0	5,120 22,774	2,680 11,921	3,120 13,878
FCF 2 3/4 FCFE 2 3/4	BB	2.75 69.9	1.688 42.86	3.44 87.3	.59 15.1	1.00 25.4	+0 / -0.001 +0 / - 0.03	2.25 57.2	.06 1.6	1.50 38.1	3.94 100.0	5,120 22,774	2,680 11,921	3,120 13,878
FCF 3 FCFE 3	TRB	3.00 76.2	2.000 50.80	3.94 100.0	.59 15.1	1.25 31.8	+0 / -0.001 +0 / - 0.03	2.50 63.5	.06 1.6	1.75 44.5	4.50 114.3	14,300 63,606	5,790 25,754	16,000 71,168
FCF 3 1/4 FCFE 3 1/4	TRB	3.25 82.6	2.000 50.80	4.19 106.4	.59 15.1	1.25 31.8	+0 / -0.001 +0 / - 0.03	2.50 63.5	.06 1.6	1.75 44.5	4.50 114.3	14,300 63,606	5,790 25,754	16,000 71,168
FCF 3 1/2 FCFE 3 1/2	TRB	3.50 88.9	2.000 50.80	4.44 112.7	.59 15.1	1.25 31.8	+0 / -0.001 +0 / - 0.03	2.75 69.9	.06 1.6	1.75 44.5	4.75 120.7	14,300 63,606	5,790 25,754	16,000 71,168
FCF 4 FCFE 4	TRB	4.00 101.6	2.000 50.80	4.94 125.4	.59 15.1	1.25 31.8	+0 / -0.001 +0 / - 0.03	2.75 69.9	.06 1.6	1.75 44.5	4.75 120.7	14,300 63,606	5,790 25,754	16,000 71,168
FCF 4 1/2	TRB	4.50 114.3	2.000 50.80	5.44 138.1	.59 15.1	1.25 31.8	+0 / -0.001 +0 / - 0.03	2.75 69.9	.06 1.6	1.75 44.5	4.75 120.7	14,300 63,606	5,790 25,754	16,000 71,168
FCF 5	TRB	5.00 127.0	3.000 76.20	5.94 150.8	.72 18.3	1.25 31.8	+0 / -0.001 +0 / - 0.03	4.50 114.3	.06 1.6	2.50 63.5	7.50 190.5	35,800 159,238	13,300 59,158	40,000 177,920
FCF 6	TRB	6.00 152.4	3.000 76.20	6.94 176.2	.72 18.3	2.50 63.5	+0 / -0.001 +0 / - 0.03	5.50 139.7	.06 1.6	3.25 82.6	8.50 215.9	35,800 159,238	14,200 63,162	62,000 275,776
FCF 7	TRB	7.00 177.8	3.000 76.20	7.94 201.6	.72 18.3	2.50 63.5	+0 / -0.001 +0 / - 0.03	5.50 139.7	.06 1.6	3.25 82.6	8.50 215.9	35,800 159,238	14,200 63,162	62,000 275,776
FCF 8	TRB	8.00 203.2	3.000 76.20	8.94 227.0	.72 18.3	2.50 63.5	+0 / -0.001 +0 / - 0.03	5.50 139.7	.06 1.6	3.25 82.6	8.50 215.9	35,800 159,238	14,200 63,162	62,000 275,776

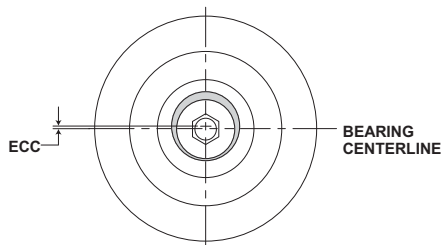
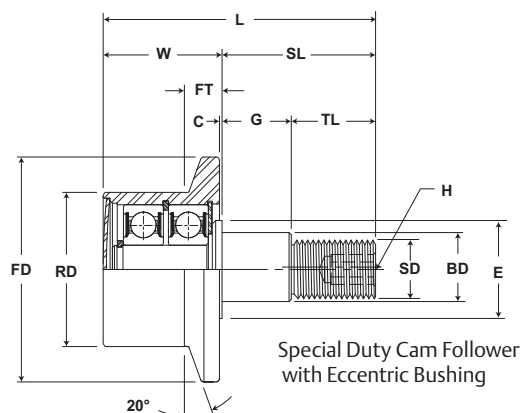
\*Dynamic thrust load rating based on application of a centric, axial load. Fatigue life calculations for combined radial and thrust loading require special considerations and Application Engineering should be contacted.

Metric dimensions for reference only.

Not all parts are available from stock. Please contact customer service for availability (800) 626-2120.

For more information on bearing capabilities outside of our standard offering, please contact Application Engineering (800) 626-2093.

# TRAKROL Cam Follower Bearings **MCGILL**



FCF

Part No.	ECC	G	BD	H	E	Housing Bore Diameter		Thread Type	Clamping Torque	WT					
						With LUBRI-DISC Seals					Hex Hole	Min. Clamping Diameter	(Ref)	in-lb Nm	lb kg
						Eccentric Base Modifier FCFE-XX									
						inch mm									
(Ref)	+0/-.010	±.001	(Ref)	(Ref)	Nom.	Tol.	(Ref)	in-lb Nm	lb kg						
FCF 1 1/2	-	-	-	.25	.75	.6260	±.0002	5/8-18	650	.63					
FCFE 1 1/2	.03	.730	.875	6.4	19.1	15.900	±.005				74	1.4			
FCF 1 3/4	-	-	-	.25	1.00	.7510	±.0002	3/4-16	1,250	1.00					
FCFE 1 3/4	.03	0.855	1.000	6.4	25.4	19.075	±.005				142	.45			
FCF 2 1/2	-	-	-	.44	1.25	1.0010	±.0002	1-14	2,240	2.75					
FCFE 2 1/2	.03	1.105	1.375	11.1	31.8	25.425	±.005				254	1.25			
FCF 2 3/4	-	-	-	.44	1.25	1.0010	±.0002	1-14	2,240	3.25					
FCFE 2 3/4	.03	1.105	1.375	11.1	31.8	25.425	±.005				254	1.47			
FCF 3	-	-	-	.44	1.75	1.2510	±.0002	1 1/4-12	3,440	4.69					
FCFE 3	.06	1.230	1.750	11.1	44.5	31.775	±.005				388	2.13			
FCF 3 1/4	-	-	-	.44	1.75	1.2510	±.0002	1 1/4-12	3,440	5.42					
FCFE 3 1/4	.06	1.230	1.750	11.1	44.5	31.775	±.005				388	2.46			
FCF 3 1/2	-	-	-	.44	1.75	1.2510	±.0002	1 1/4-12	3,440	6.25					
FCFE 3 1/2	.06	1.355	1.812	11.1	44.5	31.775	±.005				388	2.83			
FCF 4	-	-	-	.44	1.75	1.2510	±.0002	1 1/4-12	3,440	7.94					
FCFE 4	.06	1.355	1.812	11.1	44.5	31.775	±.005				388	3.60			
FCF 4 1/2	-	-	-	.44	1.75	1.2510	±.0002	1 1/4-12	3,440	9.88					
FCF 5	-	-	-	.88	3.25	2.0010	±.0002				2-12	5,000	18.50		
FCF 6	-	-	-	.88	3.25	2.5010	±.0002	2 1/2-12	5,000	30.00					
FCF 7	-	-	-	.88	3.25	2.5010	±.0002				2 1/2-12	5,000	38.00		
FCF 8	-	-	-	.88	3.25	2.5010	±.0002	2 1/2-12	5,000	49.00					
				22.2	82.6	63.525	±.005					566	22.23		

Clamping torque is based on dry threads. If threads are lubricated, use half of value shown.