



# Eurotherm®

## Essential power control expertise

### EPack Lite-1PH Compact SCR Power Controllers

#### Benefits

The end user, the machine builder or the system integrator expects the best solutions in terms of performance, ease of use and reliability in order to control the energy delivered to their process.

Eurotherm EPack™ Lite-1PH Compact SCR Power Controllers offer a simplified feature set for fast commissioning without compromise on performance. They provide a high level of quality, accuracy and reliability to the process. The products allow to control single phase non variable resistive, primary transformer and short wave infrared loads. The EPack Lite product combines simplicity of setup and operation in a compact format. The configurable firing modes allow close matching to load characteristics to optimise process efficiency.

- Help maximize yield with accurate and repeatable control
- Fast integration and commissioning with user display
- Ease of operation and maintenance
- Simplified design reduces stock and spares holding

#### Unique features




- Large voltage capability from 100V to 500V adjustable in the same variant
- Fast start up with 'Quick Start' or 'Clone Code' features
- Adjustable control mode  $V^2$  or  $I^2$  control or open loop
- Wide range of firing modes: phase angle, intelligent half cycle, variable modulation burst firing, fixed modulation period & logic
- Built-in measurements: current, voltage, impedance and more
- Load fault detection up to 1 element of 6
- SCCR 100kA with fuse

[eurotherm.com/epacklite](http://eurotherm.com/epacklite)

Life Is 

**Schneider**  
Electric

# Specifications

General	
Safety specification	IEC / EN60947-4-3:2014
EMC emissions specification	IEC / EN60947-4-3:2014 - Class A product
EMC immunity specification	IEC / EN60947-4-3:2014
Vibration tests	IEC / EN60947-1 annex Q category E
Shock tests	IEC / EN60947-1 annex Q category E
Approvals	
European community 	EN60947-4-3:2014: Low-voltage switchgear and controlgear - Part 4-3: Contactors and motor-starters - AC semiconductor controllers and contactors for non-motor loads (identical to IEC60947-4-3:2014) Declaration of Conformity available on request.
US & Canada 	UL60947-4-1 CAN/CSA C22.2 NO.60947-4-1-14 Low-Voltage Switchgear and Controlgear - Part 4-1: Contactors and Motor-Starters - Electromechanical Contactors and Motor-Starters - U.L. File N° E86160
Australia 	Regulatory Compliance Mark (RCM) to Australian Communication and Media Authority Based on compliance to EN60947-4-3:2014
China	Product not listed in catalog of products subject to China Compulsory Certification (CCC)
Protection	CE: IP10 according to EN60529 (16 to 63A) or IP20 according to EN60529 (CE: 80 to 125A) UL: open type

Environmental conditions	
Atmosphere	Non-corrosive, non-explosive, non-conductive
Degree of pollution	Degree 2 according to IEC60947-1
Storage temperature	-25°C (-13°F) to 70°C (158°F)
Temperature & altitude	0 to 45°C at 1000m (32°F to 113°F at 3280 Feet) 0 to 40°C at 2000m (32°F to 104°F at 6562 Feet)
Derating curves	 <p>The graph plots Altitude (meters/feet) on the y-axis against Operating temperature (°C / °F) on the x-axis. The y-axis ranges from 1000m (3280 Feet) to 2000m (6562 Feet) in 250m increments. The x-axis ranges from 40°C (104°F) to 45°C (113°F) in 1°C increments. A solid line starts at 40°C (104°F) for altitudes up to 2000m (6562 Feet). From 2000m (6562 Feet), the line slopes downward to 45°C (113°F) at 1000m (3280 Feet).</p>

Mechanical details				
Unit	Height	Width	Depth	Weight
16 to 32A	129.2mm / 5.09in	51mm / 2.01in	136.2mm / 9.04in	0.8kg / 1.76lb
40 to 63A	129.2mm / 5.09in	72mm / 2.83in	173.3mm / 9.04in	0.95kg / 2.09lb
80 to 100A	197.6mm / 7.78in	80mm / 3.15in	202.1mm / 9.04in	1.8kg / 3.97lb
125A	197.6mm / 7.78in	120mm / 4.72in	202.1mm / 9.04in	2.5kg / 5.51lb

# Specifications

Fuses		
Current rating	Fuse holder size	Unit
≤25A without MS	10x38mm / 13/32x1-1/2in	88.5x17.5x64.5mm / 3.48x0.69x2.54in
≤25A with MS	14x51mm / 9/16x2in	110.8x26.5x76.5mm / 4.36x1.04x3.01in
32A with or without MS	14x51mm / 9/16x2in	110.8x26.5x76.5mm / 4.36x1.04x3.01in
40A with or without MS	14x51mm / 9/16x2in	110.8x26.5x76.5mm / 4.36x1.04x3.01in
50A with or without MS	22x58mm / 2-9/32in	127.5x35x76.5mm / 5.02x1.38x3.01in
63A with or without MS	27x60mm / 1-1/16x2-3/8in	149.4x40x93.5mm / 5.88x1.57x3.68in
80A with or without MS	27x60mm / 1-1/16x2-3/8in	149.4x40x93.5mm / 5.88x1.57x3.68in
100A with or without MS	27x60mm / 1-1/16x2-3/8in	149.4x40x93.5mm / 5.88x1.57x3.68in
125A with or without MS	27x60mm / 1-1/16x2-3/8in	149.4x40x93.5mm / 5.88x1.57x3.68in

Power		
Nominal current	4 to 125 amps	
Nominal voltage	From 100V to 500V +10%/–15%	
Accuracy	±2% of full scale from 100V to 500V +10%/–15%	
Frequency	47Hz to 63Hz	
Short circuit protection	By external supplemental high speed fuses	
Rated conditionnal short-circuit current	100kA (coordination type 1)	
Utilization categories		
	AC51	Resistive or slightly inductive load (cos phi>0.8)
	AC-55b	Switching of incandescent lamps
	AC-56a	Transformer Primary
Heater type	Low/high temperature coefficient: Carbon and SWIR	

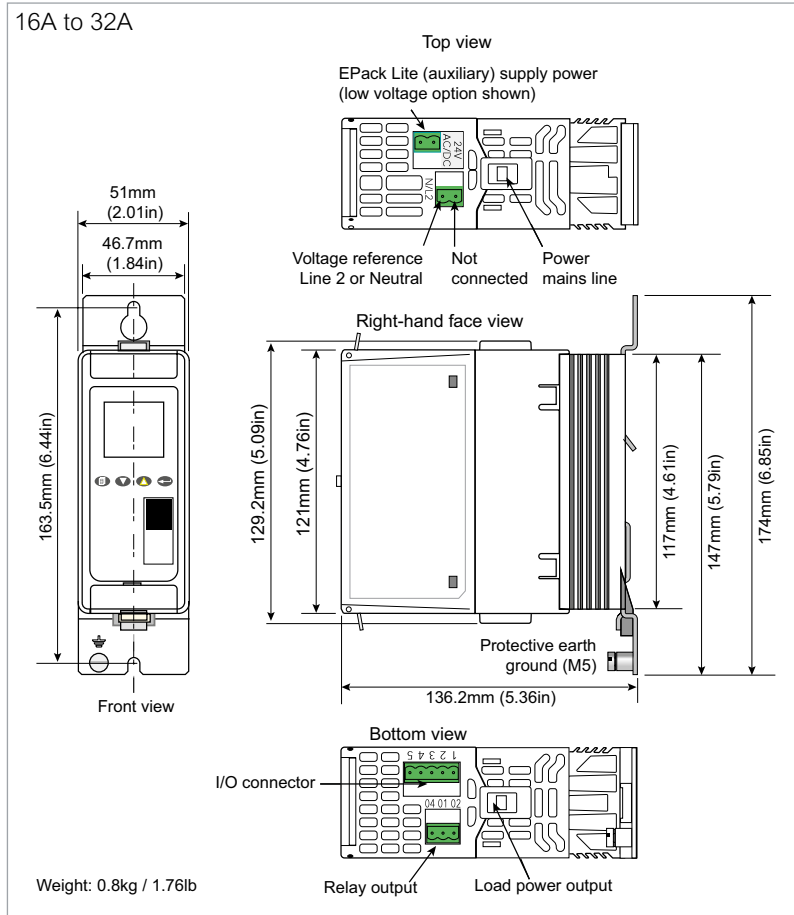
  

Control		
Auxillary power supply	100V to 500V +10%/–15% or 24V ac/dc (±20%)	
Control setpoint	Analog or Logic input	
Analog input signal		
Voltage	Range: 0-5V, 1-5 V, 0-10V or 2-10V Impedance: 140 kOhms typical (0-10V signal)	
Current	Range: 0-20mA or 4-20mA Input resistance: 100 Ohms to allow for three units wired in series to be driven from a single controller's analogue output	
Resolution	11 bits	
Linearity ±0.1% of scale	±0.1% of Scale	
Firing mode	Phase Angle, Intelligent Half cycle, Variable Modulation Burst firing (FC1, C16, C64), Fixed modulation period (2 seconds fixed), Logic mode	
Control mode	V <sup>2</sup> control, I <sup>2</sup> control, Open loop with feedforward and Trim modes	
Configurable digital inputs	Input 1: enable by default ; Input 2: setpoint in logic mode, alarm acknowledgment, 10V supply, ...	
Voltage inputs	PLC compatible inputs type 1 & 2 according to IEC 61131-2 - Active level (high): 11V<Vin<30V with 6mA<Iin<30mA - Non-active level (low): -3V<Vin<5V with 2mA<Iin<30mA or 5V<Vin<11V with Iin<2mA	
Contact closure inputs	- Current source: 10mA min; 15mA max - Open contact (non active) resistance: 800 Ohms to ∞ - Closed contact (active) resistance: 0 to 450 Ohms - Absolute Maximum ±30V or ±25mA	
One alarm relay	Changeover relay 2A rms - 264V rms normally energised. (250V rms max for UL). This relay will be de-energised in case of serious alarms: short circuit thyristor, open circuit, fuse blown, missing main, chop off	

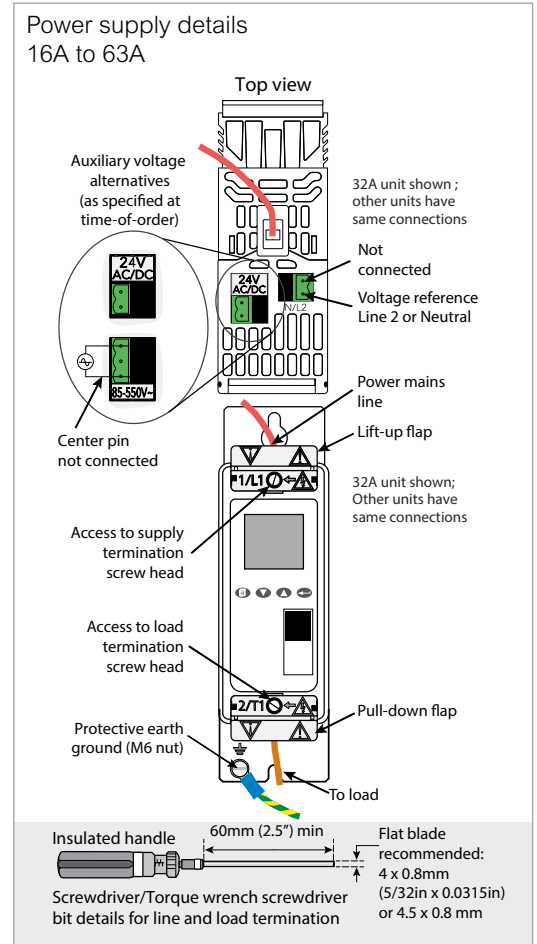
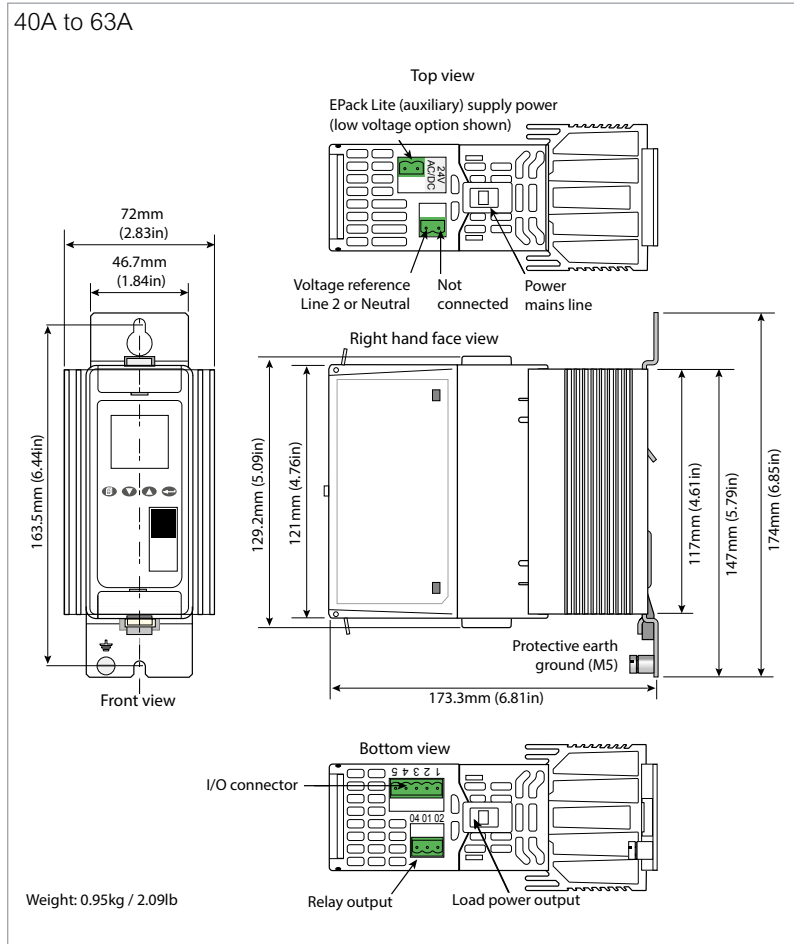
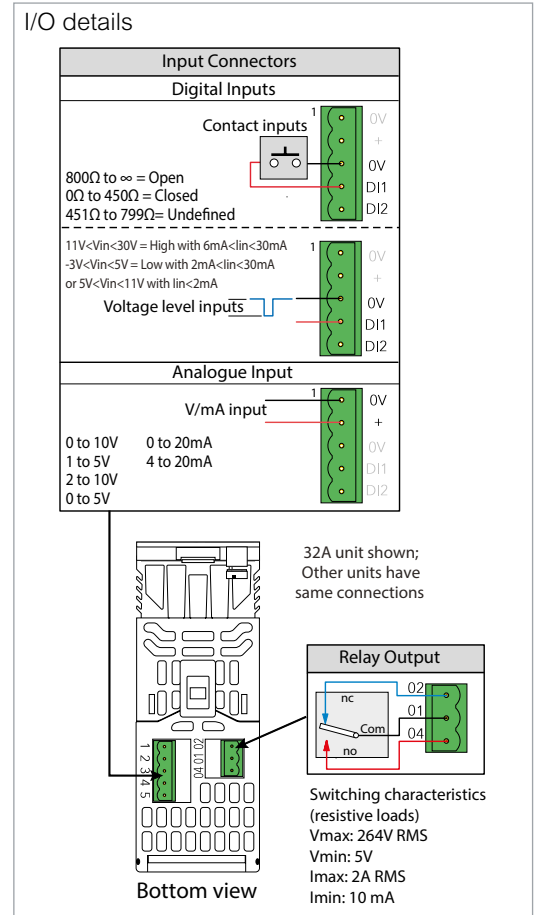
  

Display	
Technology	TFT
Size	1.4" diagonal (35.56mm)
Messages	Configuration, Monitoring and Diagnostics

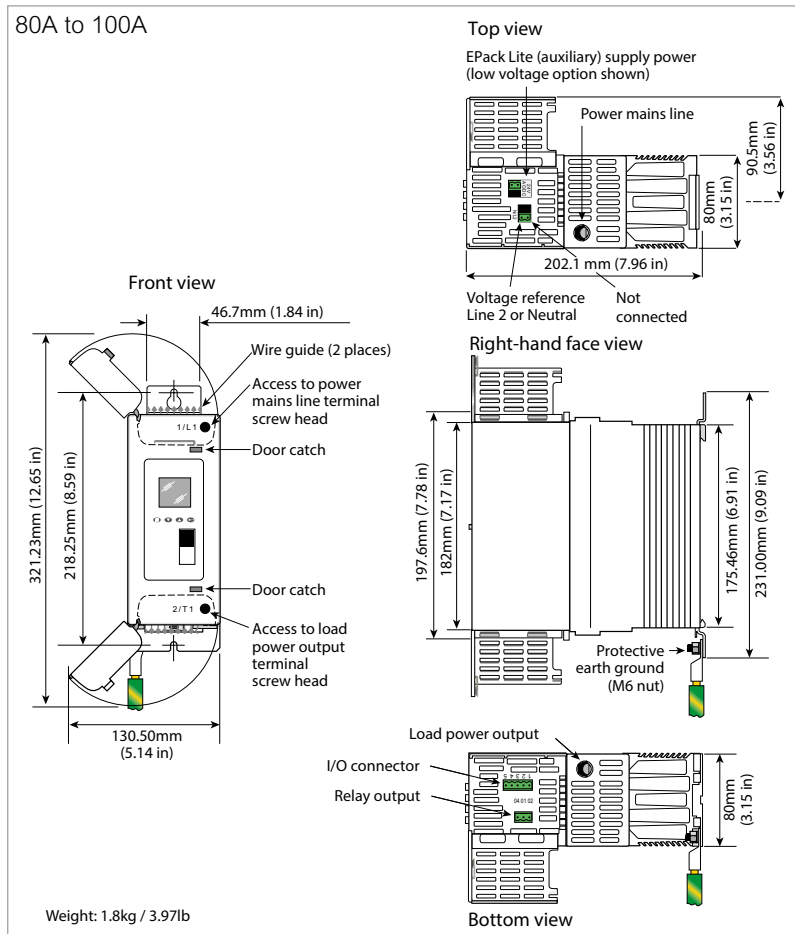
## Mechanical details



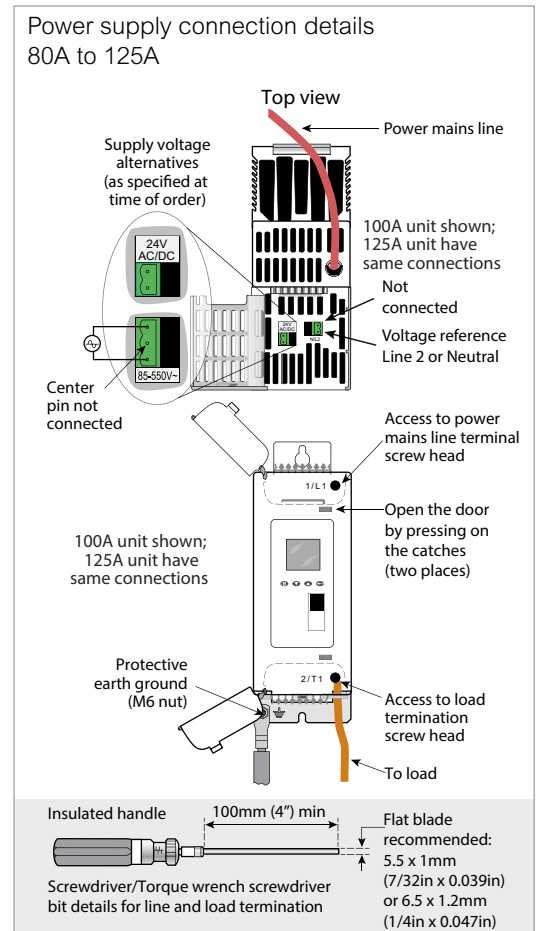
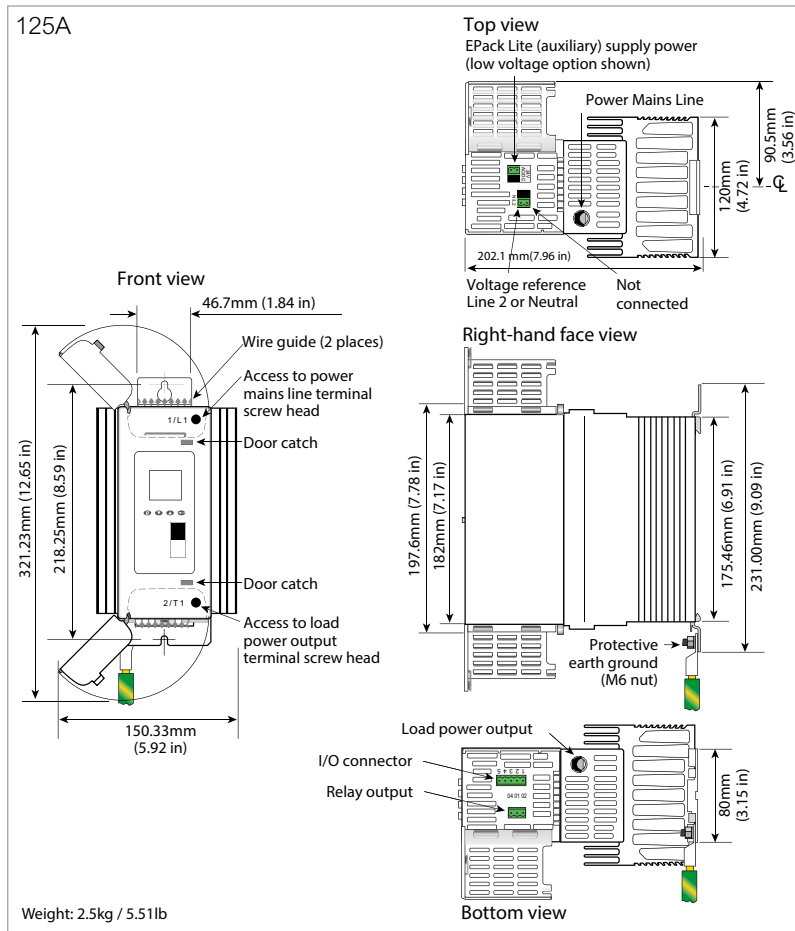
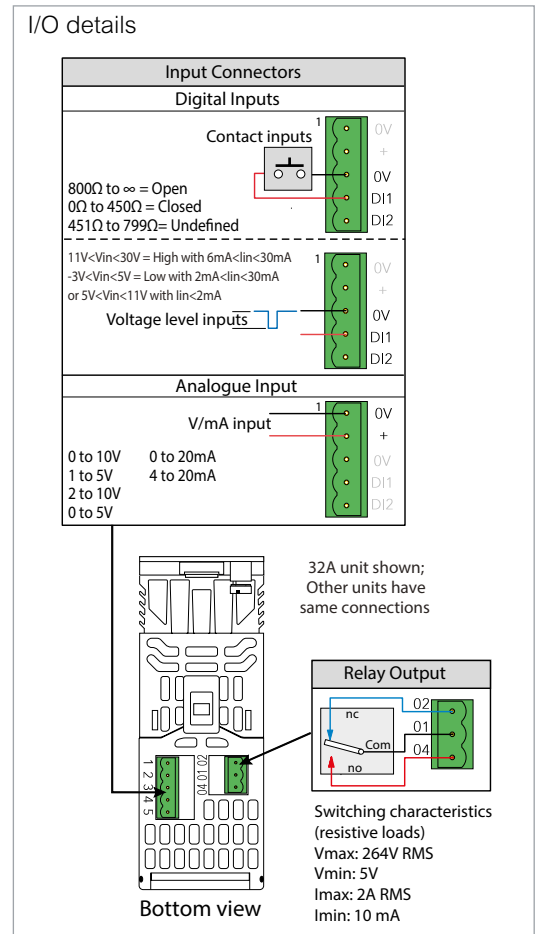
## Connector details (pinout)



## Mechanical details



## Connector details (pinout)



# Specifications

## E-Pack Lite-1PH controller order codes

The E-Pack Lite power controller is ordered using a short code for the chargeable options and an extended option configuration code for commissioning.

If the extended code is not used, the software configuration is completed using a quick start procedure.

Current rating of E-Pack Lite controllers may be upgraded at any time using a software key order code.

## Product coding



Model	
EPACK LITE-1PH	Power Controller

1 Maximum current	
16A	16 amps
25A	25 amps
32A	32 amps
40A	40 amps
50A	50 amps
63A	63 amps
80A	80 amps
100A	100 amps
125A	125 amps

2 Auxillary power supply	
500V	500V max
24V	24V ac/dc

3 Reserved	
XXX	Reserved

4 Control option	
V2	V <sup>2</sup> control (standard)
I2	I <sup>2</sup> control
OL	Open loop control

5 Warranty	
XXXXX	Standard warranty
WL005	5 Year warranty
USWL3	US extended warranty

6 Custom labelling	
XXXXX	Standard (Eurotherm)
Fnnnn	Special label

7 Fuse	
XXX	Without
HSP	High speed fuse without microswitch
HSM	High speed fuse with microswitch

8 Configuration	
XXXXXX	Default
LC	Long code

## Optional configuration

9 Nominal load current	
nnnA	1 - Value field 1

10 Nominal line voltage	
100V	100 volts
110V	110 volts
115V	115 volts
120V	120 volts
127V	127 volts
200V	200 volts
208V	208 volts
220V	220 volts
230V	230 volts
240V	240 volts
277V	277 volts
380V	380 volts
400V	400 volts
415V	415 volts
440V	440 volts
460V	460 volts
480V	480 volts
500V	500 volts

11 Load type	
XX	Resistive
TR	Transformer primary

12 Heater type	
XX	Resistive
SWIR	Short wave infrared

13 Firing mode	
PA	Phase angle
IHC	Intelligent half cycle
BF	Variable modulation burst firing (default 16 cycles)
FX	Fixed modulation period (default 2 seconds)
LGC	Logic mode

14 Burst min ON time	
XXX	None
FC1	Single cycle 1 period min ON time
C16	Burst with 16 periods min ON time
C64	Burst with 64 periods min ON time

15 Analog input function	
XX	None
SP	Setpoint

16 Analog input type	
0V	0-10 volts
1V	1-5 volts
2V	2-10 volts
5V	0-5 volts
0A	0-20 mA
4A	4-20mA

17 Digital input 1 function	
XX	None
FI	Firing enable
LG	Setpoint for logic mode
AK	Alarm acknowledgement
FB	Fuse blown

18 Digital input 2 function	
XX	None
FI	Firing enable
LG	Setpoint for logic mode
AK	Alarm acknowledgement
FB	Fuse blown
SU	10V supply

19 Reserved	
XXX	Reserved

# Software upgrade options



1	Serial number instrument
nnnn	Serial number

2	Current ratings upgrade
XXX	No change
16A-25A	16A to 25A
16A-32A	16A to 32A
25A-32A	25A to 32A
40A-50A	40A to 50A
40A-63A	40A to 63A
50A-63A	50A to 63A
80A-100A	80A to 100A

[eurotherm.com/epacklite](http://eurotherm.com/epacklite)

Life Is On



**Eurotherm Limited**  
Faraday Close, Worthing,  
West Sussex, BN13 3PL  
United Kingdom  
Phone: + 44 (0)1903 268500

[www.eurotherm.com](http://www.eurotherm.com)



Document Number HA033174 Issue 3

©2020 Schneider Electric. All Rights Reserved. Life Is On, Schneider Electric, EcoStruxure, Eurotherm, EurothermSuite, EFit, EPack, EPower, Eycon, Chessell, Mini8, nanodac, piccolo and versadac are trademarks and property of Schneider Electric SE, its subsidiaries and affiliated companies. All other trademarks are the property of their respective owners.