

## Wall Mount - Side Hinged - Bracket Racks (HPB & APB Series)

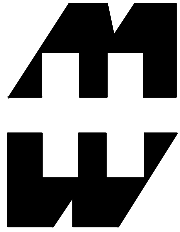
Path: [Home](#) > [Rack Index](#) > Wallmount - Side Hinged Bracket Racks (HPB & APB Series)



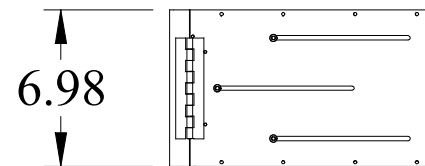
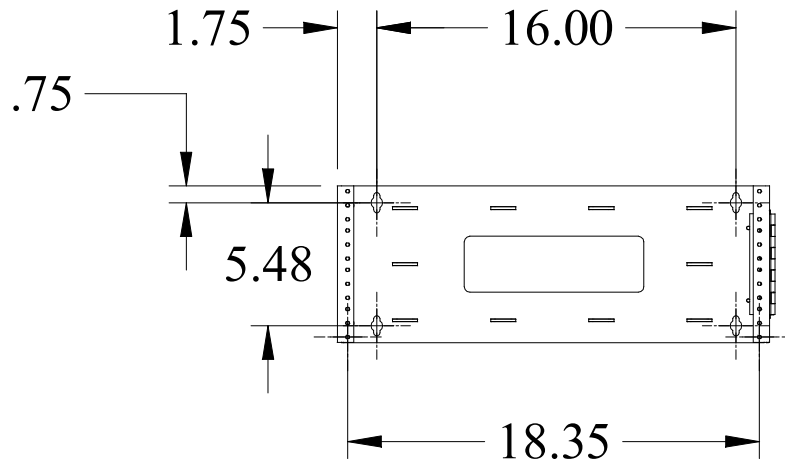
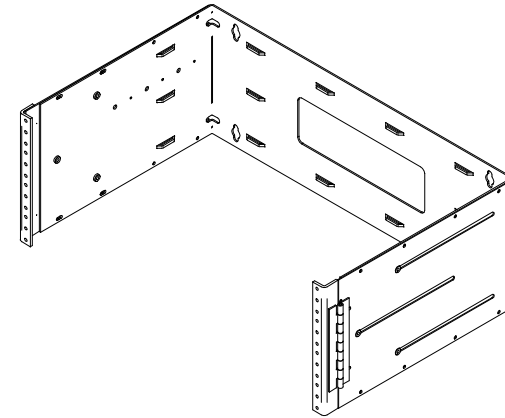
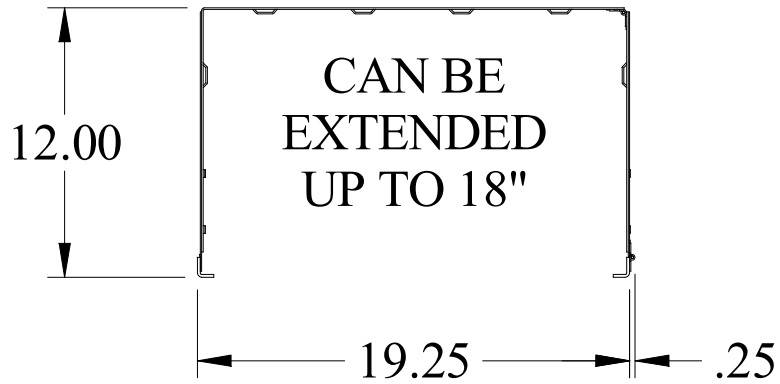
### Features:

- **Adjustable depth** bracket rack for 19" rack mount equipment...
- Full EIA hole centers (5/8 - 5/8 - 1/2 inch spacing) drilled and tapped for 10-32 hardware...
- Double hinged on one side to access rear of equipment...
- Smooth 8" x 2.5" hole on the rear for wire access...
- Includes mounting template for easy installation...
- Adjustable depth from 12 to 18"...
- Rear mounting holes are key holes for easy installation...
- Multiple cable lacing tie offs punched into unit...
- Includes 10-32 black rack screws with integral - factory installed, mar resistant black nylon washer...
- 16 gauge formed steel...
- Weight load tested (APB19007) to 70 pounds...
- Rugged textured black powder paint finish...
- Wall mounting hardware not included...

Part Number		Drawing File Size	AutoCAD .dxf File (zipped)	.zip File Size	Panel Height	
					Inches	Units
<b>APB19007BK1</b>		61K		45K	<b>7.00</b>	4
<b>APB19010BK1</b>		64K		50K	<b>10.50</b>	6
<b>APB19014BK1</b>		68K		56K	<b>14.00</b>	8



PART No. APB19007BK1



# Bracket - Side Hinged (HPB & APB Series)

## FIXED DEPTH

### FEATURES

- Economical bracket rack for 19" rack mount
- Full EIA hole centers (5/8 - 5/8 - 1/2 inch spacing)
- Hinged on one side
- Quantity 3 - 1 1/8" diameter knockouts on the rear
- 6" deep
- Rear has key holes for ease of wall mounting
- Includes quantity 8, 10-32 clip nuts and screws
- 16 gauge formed steel
- Weight load tested (HPB19005) to 100 pounds
- Rugged textured black powder paint finish.



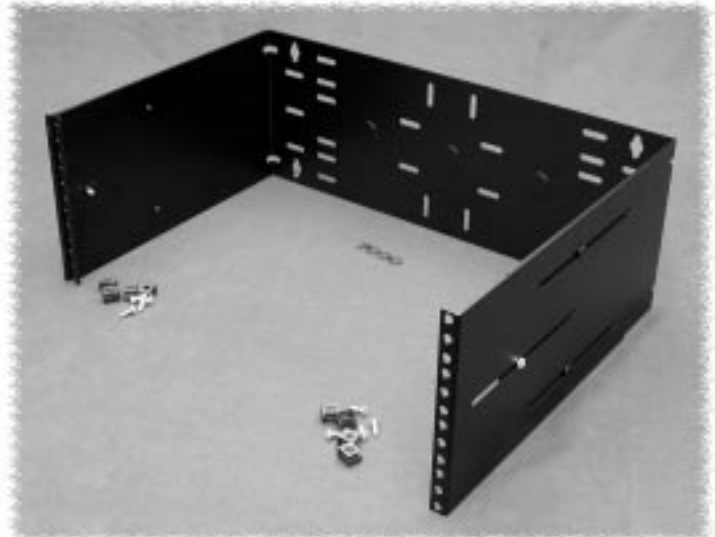
Wall Mount

Part Number	Panel Height	
	Inches	Units
<a href="#">HPB19003BK1</a>	3.50	2
<a href="#">HPB19005BK1</a>	5.25	3
<a href="#">HPB19007BK1</a>	7.00	4

## ADJUSTABLE DEPTH

### FEATURES

- Adjustable depth bracket rack for 19" rack mount
- Full EIA hole centers (5/8 - 5/8 - 1/2 inch spacing)
- Double hinged (one on each side) to allow access to deep equipment
- Quantity 3 - 1 1/8" knockouts on the rear
- Adjustable depth from 12 to 18"
- Rear has key holes for ease of wall mounting
- Multiple slots for cable ties (4 rubber wall spacers included)
- Includes quantity 8, 10-32 clip nuts and screws
- 16 gauge formed steel
- Weight load tested (APB19007) to 70 pounds
- Rugged textured black powder paint finish.



Part Number	Panel Height	
	Inches	Units
<a href="#">APB19007BK1</a>	7.00	4
<a href="#">APB19014BK1</a>	14.00	8