



Application Tooling > Insertion & Extraction Tools



Insertion & Extraction Tool Type: **Contact Extraction**

Insertion & Extraction Tool Application: **Contact-to-Wire**

Features

Product Type Features

Insertion & Extraction Tool Type	Contact Extraction
Insertion & Extraction Tool Application	Contact-to-Wire

Product Compliance

[For compliance documentation, visit the product page on TE.com>](#)

EU RoHS Directive 2011/65/EU	Compliant
EU ELV Directive 2000/53/EC	Out of Scope
China RoHS 2 Directive MIIT Order No 32, 2016	No Restricted Materials Above Threshold
EU REACH Regulation (EC) No. 1907/2006	Current ECHA Candidate List: JUN 2020 (209) Candidate List Declared Against: JAN 2019 (197) Does not contain REACH SVHC
Halogen Content	Low Halogen - Br, Cl, F, I < 900 ppm per homogenous material. Also BFR/CFR/PVC Free
Solder Process Capability	Not applicable for solder process capability

Product Compliance Disclaimer

This information is provided based on reasonable inquiry of our suppliers and represents our current actual knowledge based on the information they provided. This information is subject to change. The part numbers that TE has identified as EU RoHS compliant have a maximum concentration of 0.1% by weight in homogenous materials for lead, hexavalent chromium, mercury, PBB, PBDE, DBP, BBP, DEHP, DIBP, and 0.01% for cadmium, or qualify for an exemption to these limits as defined in the Annexes of Directive 2011/65/EU (RoHS2). Finished electrical and electronic equipment products will be CE marked as required by Directive 2011/65/EU. Components may not be CE marked. Additionally, the part numbers that TE has identified as EU ELV compliant have a maximum concentration of 0.1% by weight in homogenous materials for lead, hexavalent chromium, and mercury, and 0.01% for cadmium, or qualify for an exemption to these limits as defined in the Annexes of Directive 2000/53/EC (ELV). Regarding the REACH Regulation, the information TE provides on SVHC in articles for this part number is based on the latest European Chemicals Agency (ECHA) 'Guidance on

requirements for substances in articles' posted at this URL: <https://echa.europa.eu/guidance-documents/guidance-on-reach>

Compatible Parts



TE Model / Part # CAT-T4827-T273
TIMER, RECEPTACLE AND TAB



TE Model / Part # 963815-2
DOUBLE LOCKING LANCE 110 TAB
PTP CUSN4



TE Model / Part # 963814-2
TAB 2,8 SPEC



TE Model / Part # 963814-1
DOUBLE LOCKING LANCE 110 TAB
PTP CUSN4



TE Model / Part # 963824-1
TAB AS 4.8x0.8 CONTACT CS SWS Sn
(LP)



TE Model / Part # 963824-2
TAB AS 4.8x0.8 CONTACT CF SWS Sn
(LP)



TE Model / Part # 8-962904-1
TAB AS 4.8x0.8 CONTACT CS SRC Sn



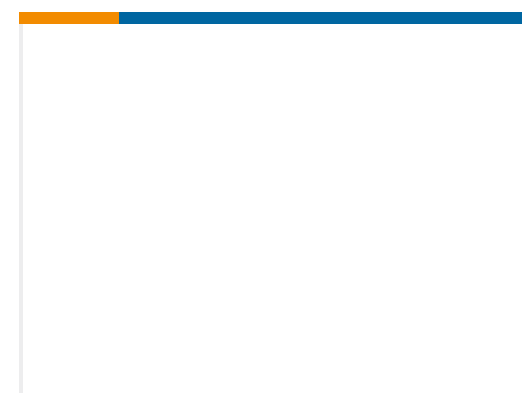
TE Model / Part # 962908-1
TAB AS 4.8x0.8 CONTACT CS SWS Sn



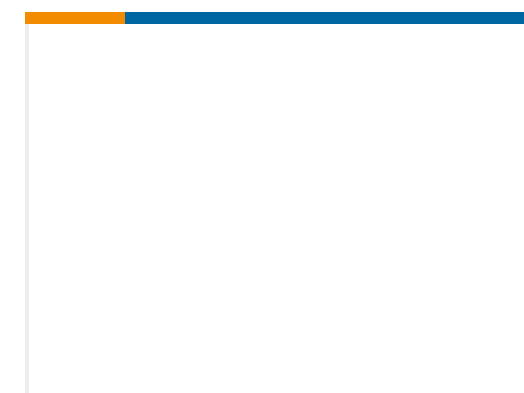
TE Model / Part # 962908-2
TAB AS 4.8x0.8 CONTACT CF SWS Sn



TE Model / Part # 963811-2
JUNIOR POWER TIMER TAB 2,8 L/P



TE Model / Part # 963811-3
JUNIOR POWER TIMER TAB 2,8 L/P



TE Model / Part # 963816-1
TAB AS 4.8x0.8 CONTACT CS SRC Sn
(LP)



TE Model / Part # 963816-2
TAB AS 4.8x0.8 CONTACT CF SRC Sn
(LP)



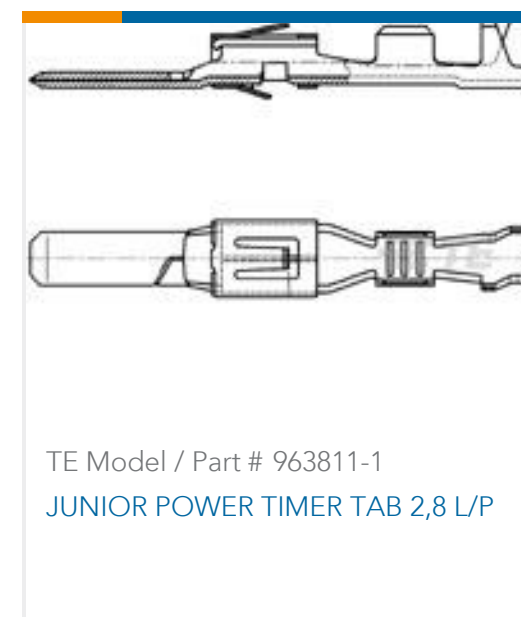
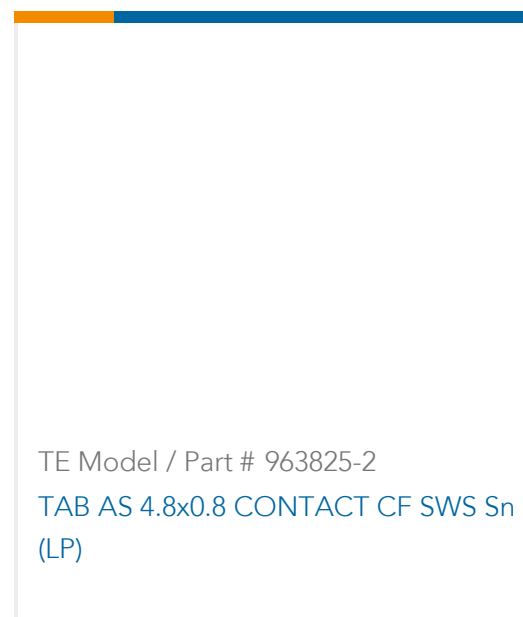
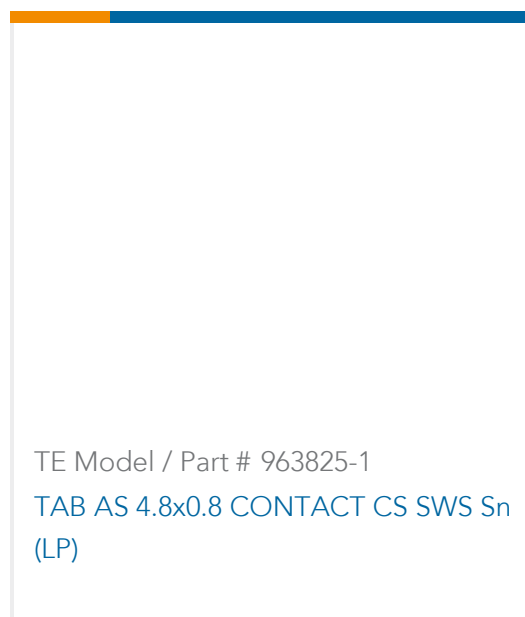
TE Model / Part # 963817-1
TAB AS 4.8x0.8 CONTACT CS SRC Sn
(LP)



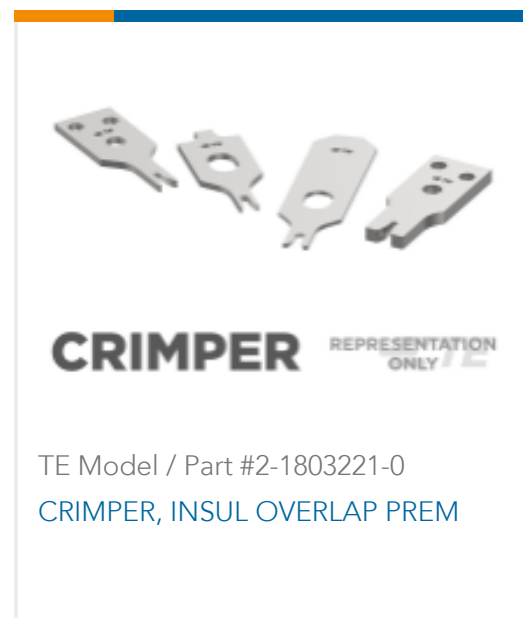
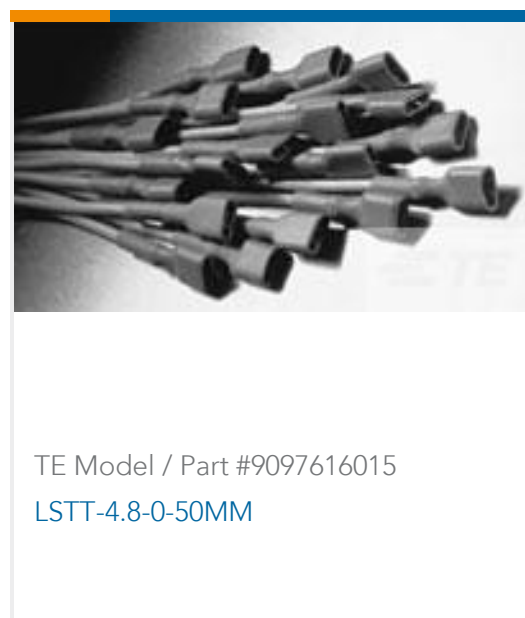
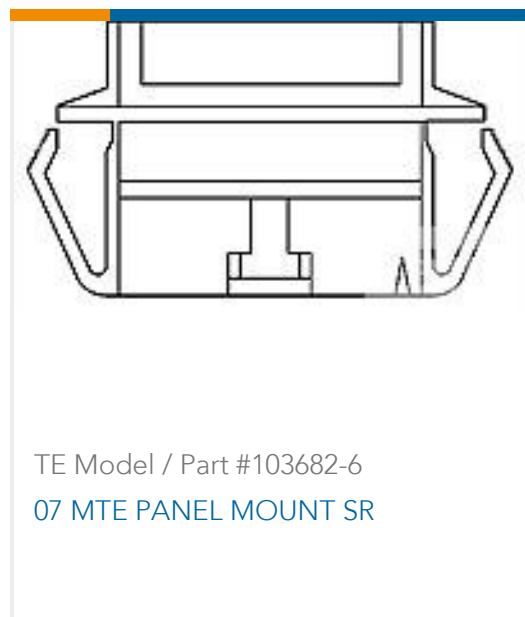
TE Model / Part # 963821-1
TAB AS 4.8x0.8 CONTACT CS SWS Sn
(LP)



TE Model / Part # 963821-2
TAB AS 4.8x0.8 CONTACT CF SWS Sn
(LP)



Customers Also Bought



Documents

Product Drawings

EXTRACTION TOOL

English

Datasheets & Catalog Pages

Crimp Term Whitepaper-Use the Right Tool 1-1773953-1

English

CRIMPING WHERE FORM MEETS FUNCTION

English



[Insertion-Extraction-Tool-2345721-1](#)

English