

PART NAME

PTR SERIES - ABS ALL PLASTIC

PART No.

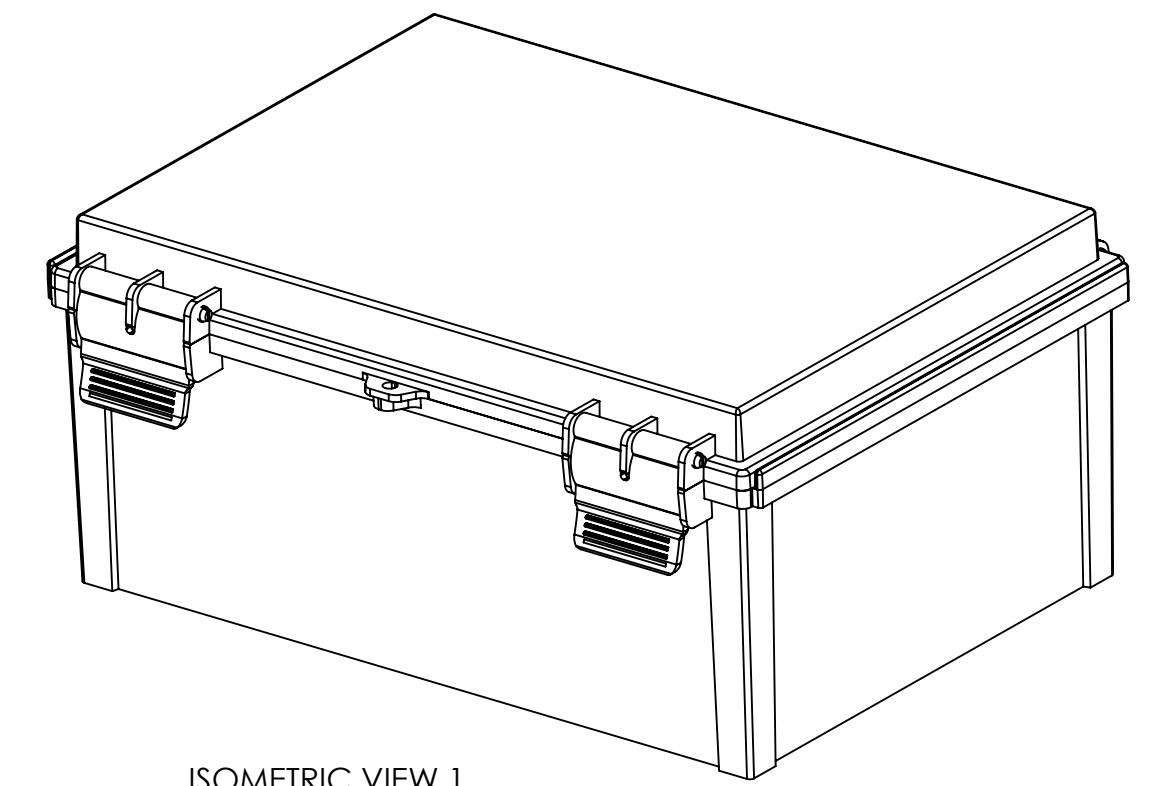
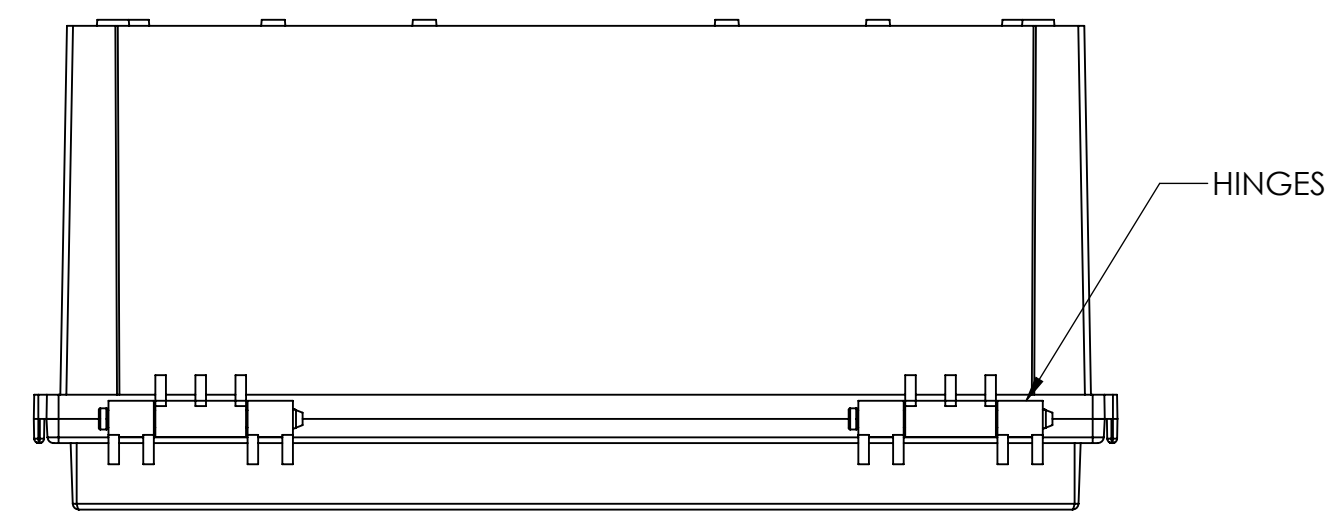
PTR-28489 & PTR-28489-C

REVISION DATE

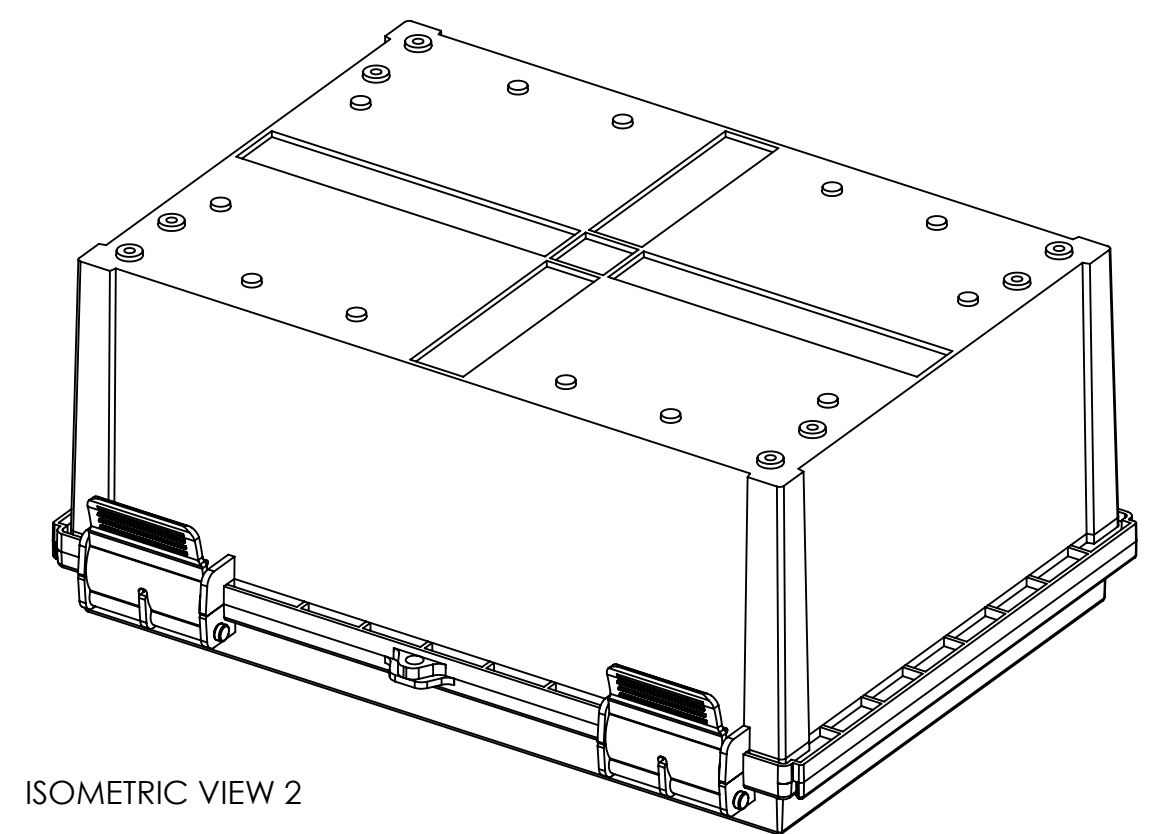
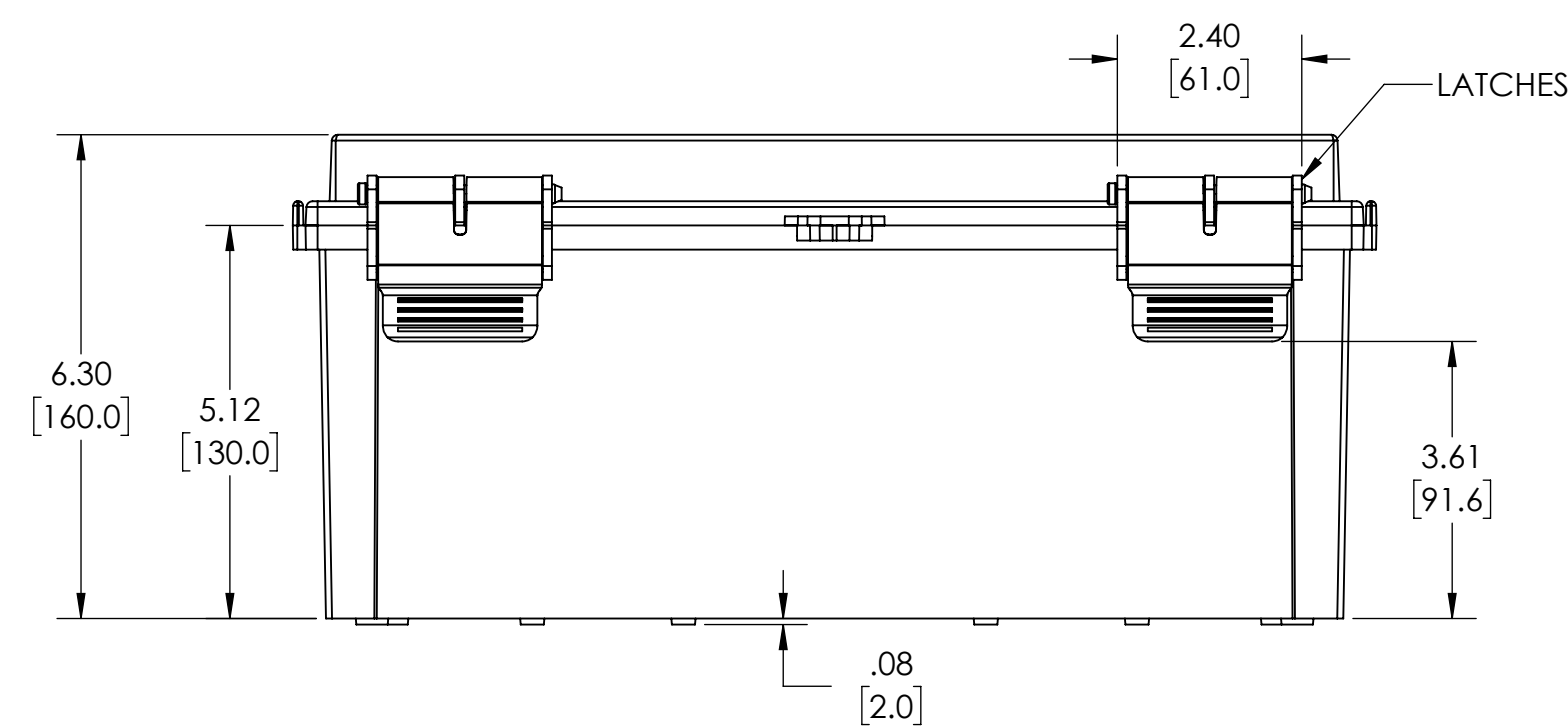
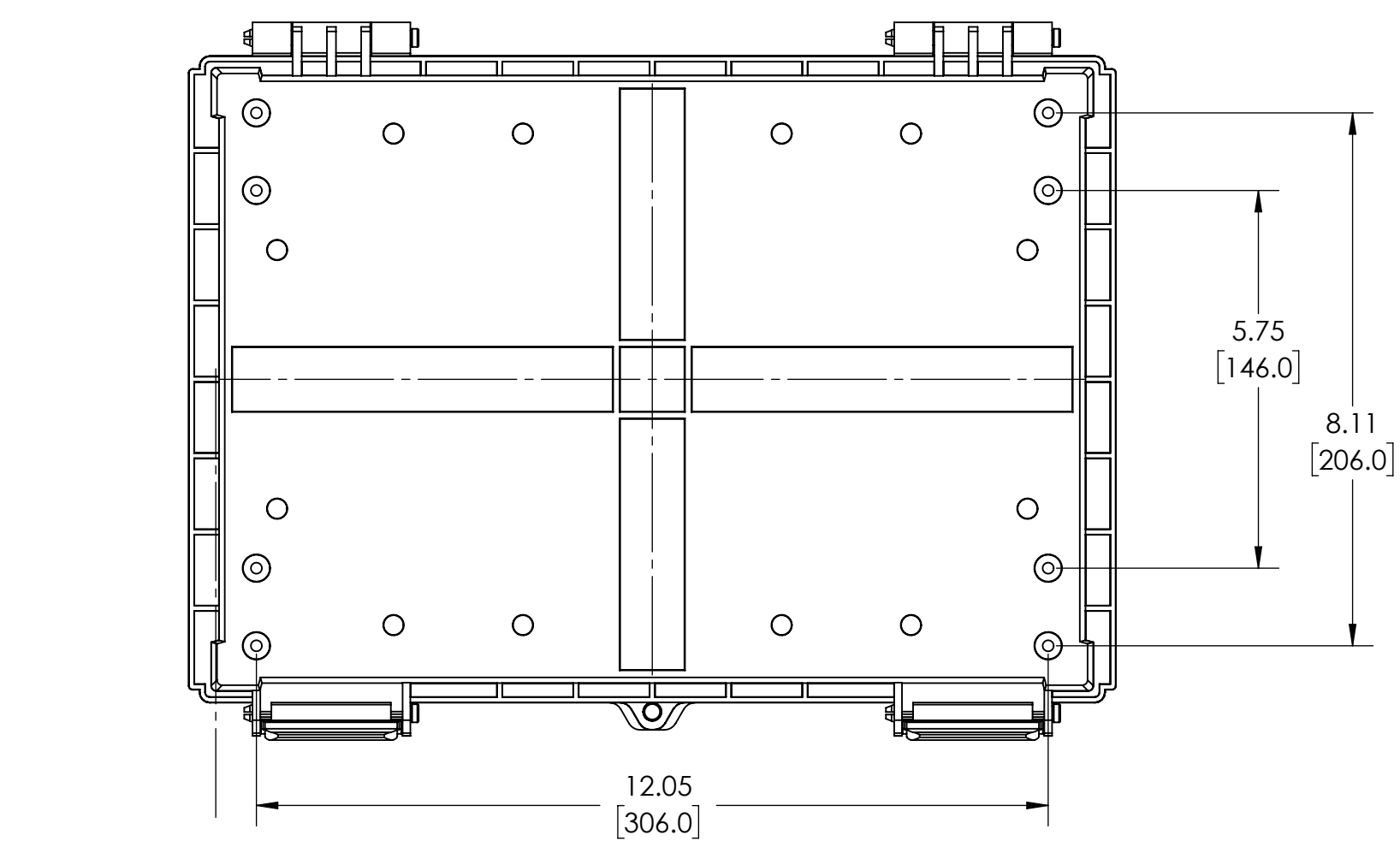
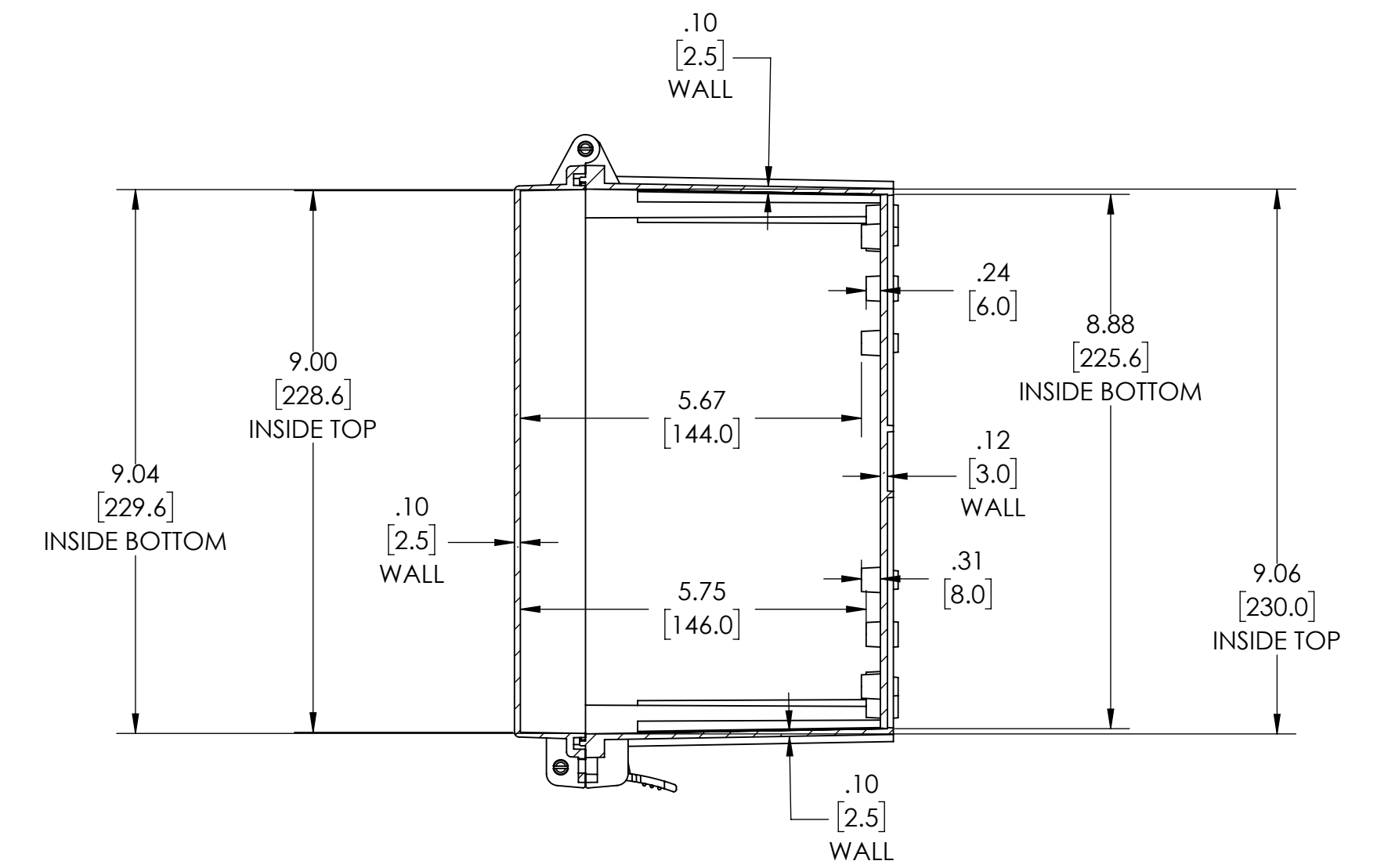
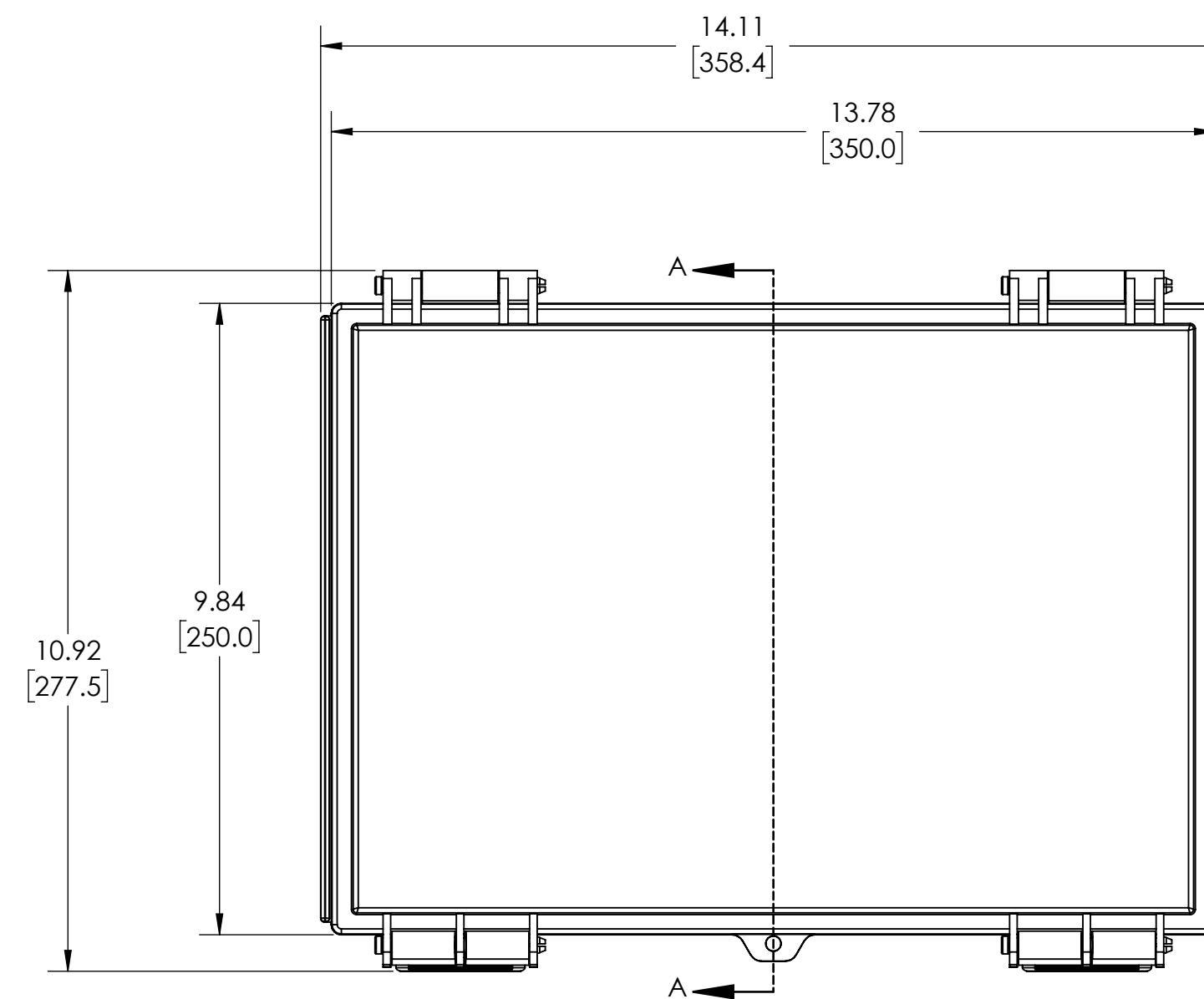
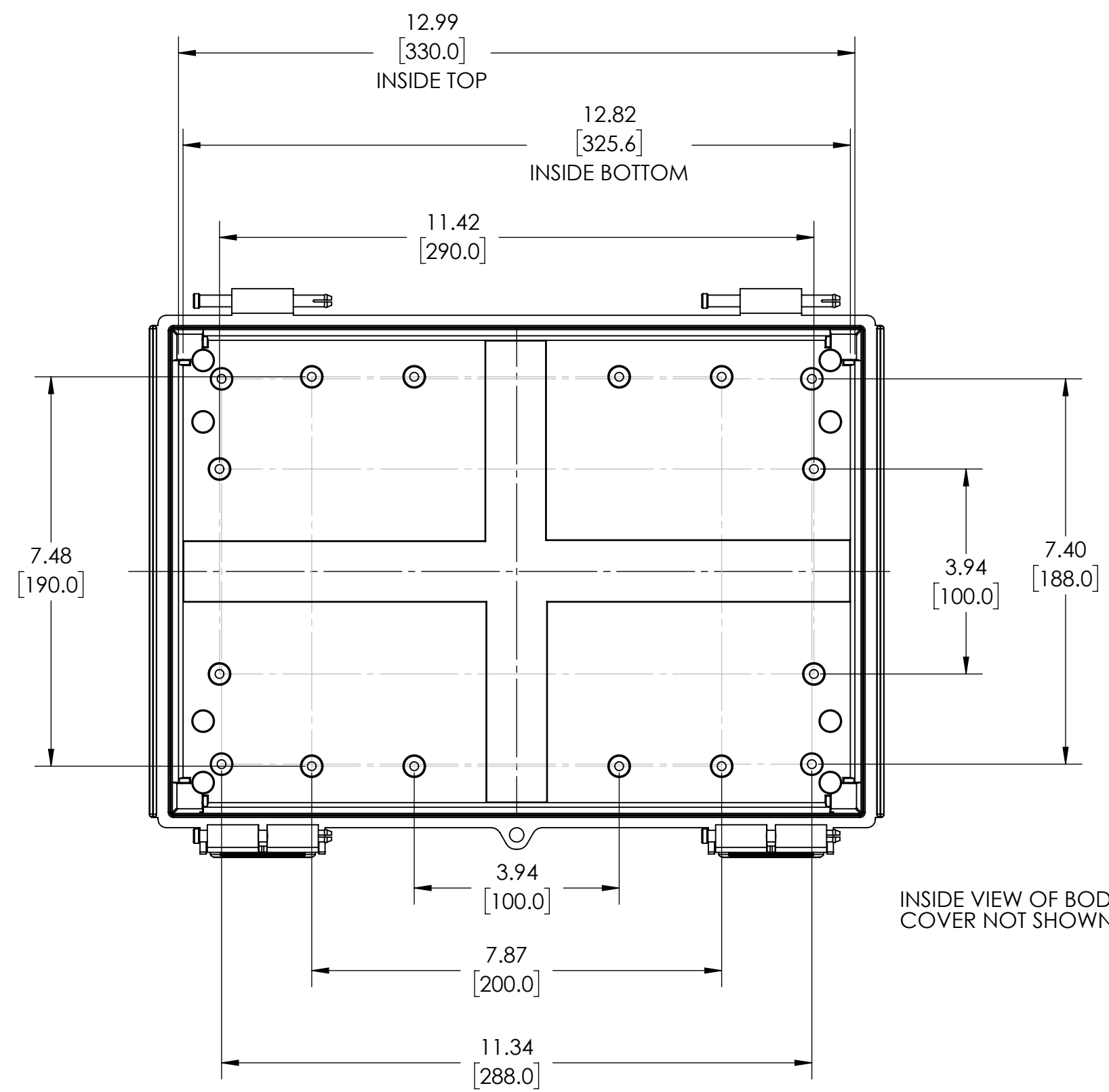
12/16/2021

NOTES:

- MATERIAL:
BODY - GRAY ABS
COVER - GRAY ABS OR CLEAR (-C SUFFIX) POLYCARBONATE
- UL508 / NEMA TYPE 4X & 6P WITH IP-67 TUV RATING & UL-94 HB
- POURED CONTINUOUS GASKET
- SUPPLIED WITH PLASTIC INTERNAL PANEL - PTX-18489-P
- DIMENSIONS ARE INCH[MM]
- OPTIONAL ACCESSORIES:
16 GA INTERNAL MOUNTING PLATE OR ABS
EXTERNAL MOUNTING BRACKETS - NBX-10922, PIP-117-PMB



ISOMETRIC VIEW 1



ISOMETRIC VIEW 2

DRAWING FOR REFERENCE
 WE RESERVE THE RIGHT TO MAKE CHANGES TO OUR
 STANDARD PRODUCTS. PLEASE CONSULT WITH BUD INDUSTRIES
 PRIOR TO USING THIS DRAWING FOR DESIGN PURPOSES.