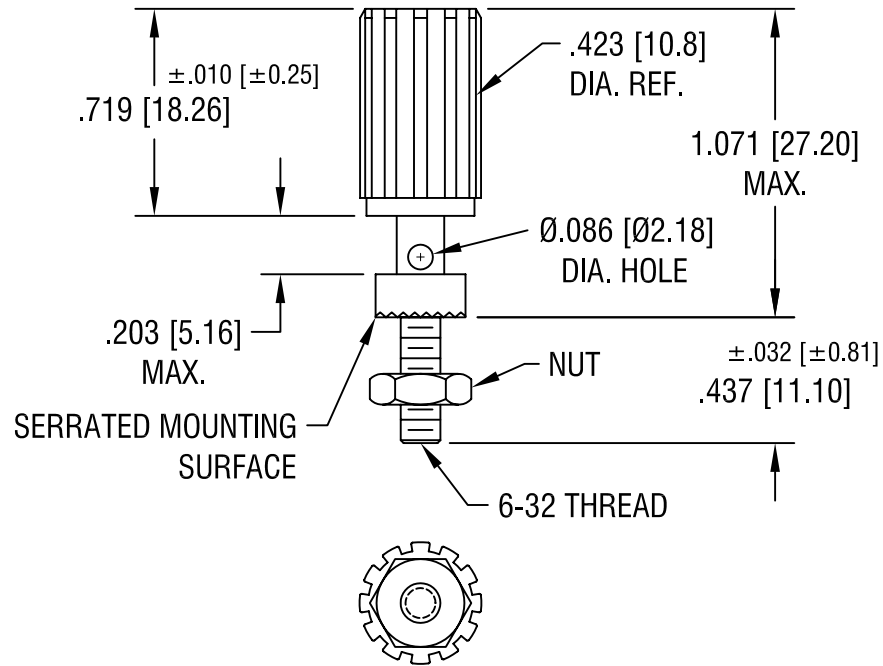


THIS DOCUMENT IS THE PROPERTY OF KEYSTONE ELECTRONICS CORP. AND SHALL NOT BE REPRODUCED, DISTRIBUTED OR USED AS A BASIS FOR MANUFACTURE WITHOUT PRIOR WRITTEN PERMISSION FROM KEYSTONE ELECTRONICS CORP.



NOTES:

1. MAT'L:

STUD: BRASS, NICKEL PLATE  
 INSULATION: NYLON  
 NUT: STEEL, NICKEL PLATE

PART NO.	COLOR
7006	RED
7007	BLACK

**KEYSTONE ELECTRONICS CORP.**  
 ASTORIA, N.Y. 11105-2017

PART NAME  
 UNINSULATED BINDING POST

MATERIAL  
 AS NOTED

FINISH AS NOTED	DRN BY	BOONE	DATE	1.4.82
	APP'D	LN	SCALE	1.5X

TOLERANCES	INCH	[MM]	CODE	DWG NO.
DECIMAL	± .005	[± 0.15]	C/M	7006-7007
ANGULAR	± 1°			
UNLESS OTHERWISE SPECIFIED				

11.9.94	REVISED	A
DATE	DESCRIPTION	REV.