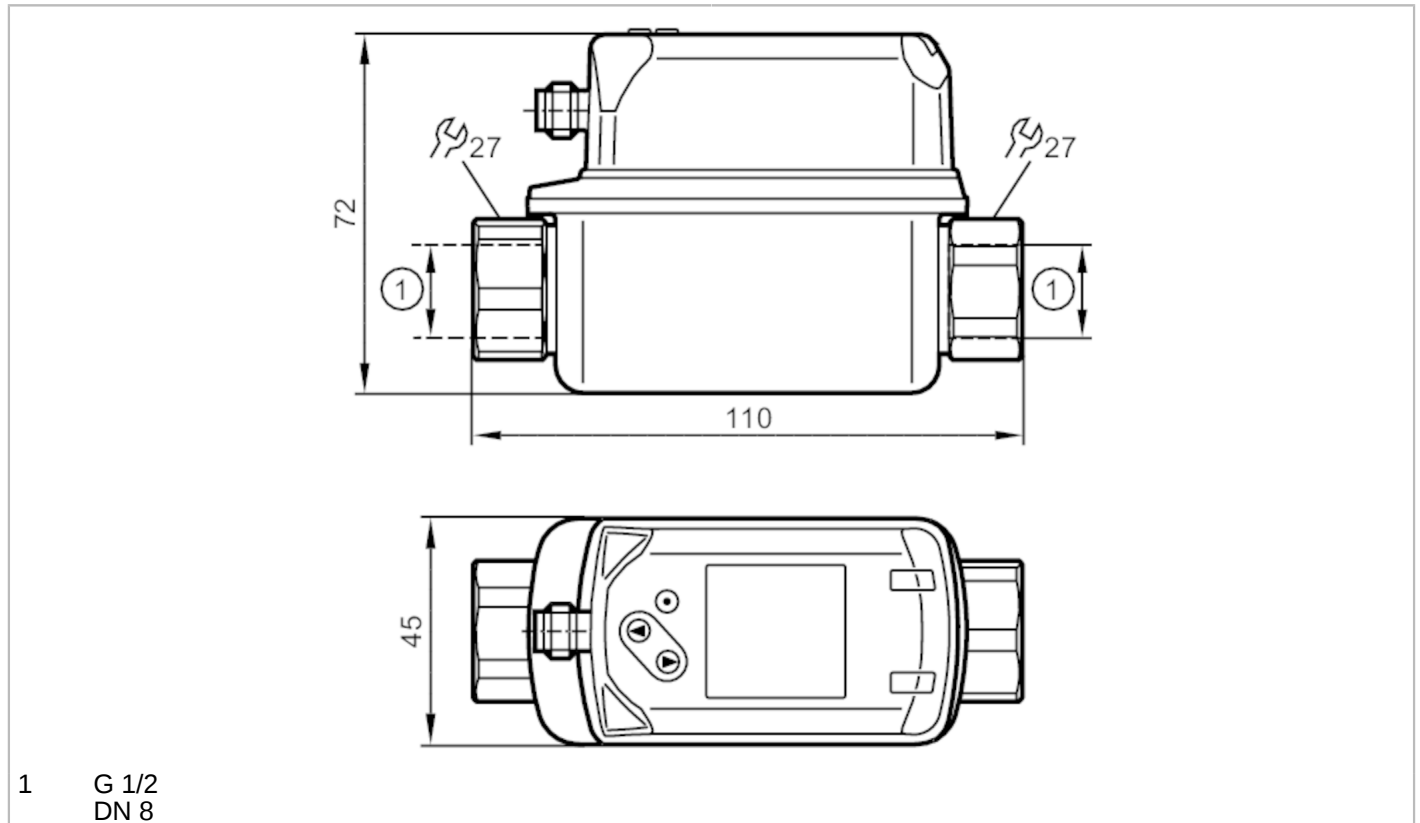


SV4204



Vortex flowmeters with display, Type SV

SVR12XXX50KG/US-100



Product characteristics

Number of inputs and outputs	Number of analog outputs: 2	
Measuring range	1...20 l/min	0.06...1.2 m³/h
Process connection	threaded connection G 1/2 DN8	

Application

System	gold-plated contacts	
Application	for industrial applications	
Media	water	
Medium temperature [°C]	-10...90	
Pressure rating [bar]	12	
Pressure rating [Mpa]	1.2	
Note on pressure rating	up to 40 °C	
MAWP (for applications according to CRN) [bar]	3.9	

Electrical data

Operating voltage [V]	18...30 DC	
Current consumption [mA]	< 30	
Min. insulation resistance [MΩ]	100; (500 V DC)	
Protection class	III	
Reverse polarity protection	yes	
Power-on delay time [s]	< 3	

SV4204



Vortex flowmeters with display, Type SV

SVR12XXX50KG/US-100

Inputs / outputs		
Number of inputs and outputs	Number of analog outputs: 2	
Outputs		
Total number of outputs	2	
Output signal	analog signal	
Number of analog outputs	2	
Analog current output [mA]	4...20	
Max. load [Ω]	500	
Short-circuit protection	yes	
Overload protection	yes	
Measuring/setting range		
Measuring range	1...20 l/min	0.06...1.2 m ³ /h
Display range	0...24 l/min	0...1.44 m ³ /h
Resolution	0.1 l/min	0.005 m ³ /h
Analog start point ASP	0...16 l/min	0...0.96 m ³ /h
Analog end point AEP	4...20 l/min	0.24...1.2 m ³ /h
In steps of	0.1 l/min	0.005 m ³ /h
Measuring dynamics	1:20	
Temperature monitoring		
Measuring range [°C]	-10...90	
Display range [°C]	-30...110	
Resolution [°C]	0.5	
Analog start point [°C]	-10...70	
Analog end point [°C]	10...90	
In steps of [°C]	0.5	
Accuracy / deviations		
Flow monitoring		
Accuracy (in the measuring range)	± 2 % MEW	
Repeatability	± 0,5 % MEW	
Temperature monitoring		
Accuracy [K]	± 1	
Reaction times		
Flow monitoring		
Response time [s]	1; (dAP = 0)	
Damping for the switching output dAP [s]	0...5	
Temperature monitoring		
Dynamic response T05 / T09 [s]	T09 = 6	
Software / programming		
Parameter setting options	Damping for the analog output dAA; Display unit	

SV4204



Vortex flowmeters with display, Type SV

SVR12XXX50KG/US-100

Operating conditions	
Ambient temperature [°C]	0...60
Note on ambient temperature	medium temperature < 80 °C medium temperature < 90 °C: 0...50 °C
Storage temperature [°C]	-20...80
Protection	IP 65; IP 67

Tests / approvals		
EMC	DIN EN 61000-6-2	
	DIN EN 61000-6-3	
CPA approval	model number	001VO
	accuracy class	-
	maximum allowable error	± 2 % FS
	Q (min)	0,09 m³/h
	Q (t)	0,24 m³/h
Shock resistance	DIN EN 60068-2-27	5 g (11 ms)
	DIN EN 60068-2-6	with water / 10...50 Hz 1 mm with water / 50...2000 Hz 2 g
MTTF [years]	342	
UL approval	UL approval number	I002
Pressure equipment directive	sound engineering practice; can be used for group 2 fluids; group 1 fluids on request	

Mechanical data	
Weight [g]	439.5
Material	stainless steel (1.4404 / 316L); PC; PBT+PC-GF30; PPS; TPE-U
Materials (wetted parts)	stainless steel (1.4404 / 316L); ETFE; PA 6T; PPS; FKM
Tightening torque [Nm]	30
Process connection	threaded connection G 1/2 DN8

Remarks	
Remarks	MW = Measured value MEW = Final value of the measuring range
Pack quantity	1 pcs.

Electrical connection

Connector: 1 x M12; Contacts: gold-plated



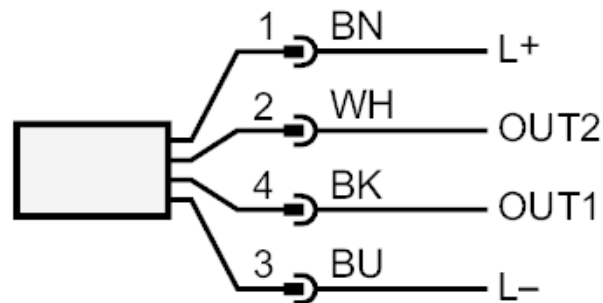
SV4204



Vortex flowmeters with display, Type SV

SVR12XXX50KG/US-100

Connection



OUT1: analog output Temperature monitoring

OUT2: analog output Volumetric flow quantity monitoring

Colours to DIN EN 60947-5-2

Core colors :

BK = black

BN = brown

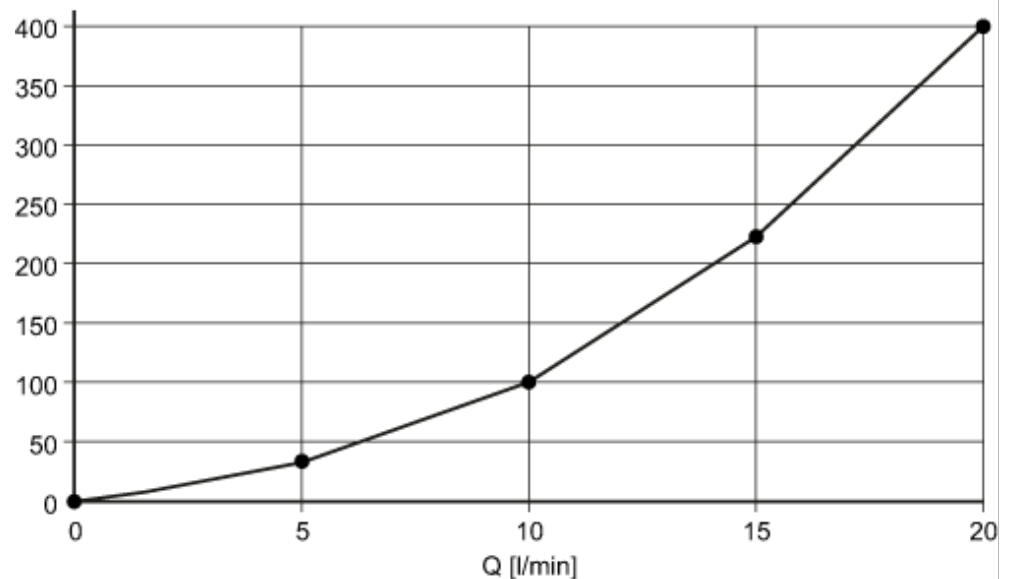
BU = blue

WH = white

Diagrams and graphs

Pressure loss

dP [mbar] DN8



dP Pressure loss

Q volumetric flow quantity

SV4204



Vortex flowmeters with display, Type SV

SVR12XXX50KG/US-100

pressure rating (bar)

