

# Valve connectors - SACC-VB-5CON-M16/AD-2L 24V - 1457908


Please be informed that the data shown in this PDF Document is generated from our Online Catalog. Please find the complete data in the user's documentation. Our General Terms of Use for Downloads are valid (<http://phoenixcontact.com/download>)



Valve connectors, pnp, 5-position, Valve connector AD (pressure switch), with 2 LEDs, Screw connection, cable gland M16, external cable diameter 6 mm ... 8 mm

RoHS

## Key Commercial Data

Packing unit	1 pc
GTIN	 4 046356 630689
GTIN	4046356630689

## Technical data

### Dimensions

External diameter	6 mm ... 8 mm
Central screw valve connector	M3 x 37,5

### Ambient conditions

Ambient temperature (operation)	-25 °C ... 60 °C (valve plug)
Degree of protection	IP65

### General

Rated current at 40°C	1.5 A
Rated voltage	24 V
Number of positions	5
Insulation resistance	> 2 GΩ
Standards/regulations	Valve connector EN 175301-803
Signal type/category	pnp
Status display	2 LEDs
Protective circuit/component	unwired
Overvoltage category	II
Degree of pollution	3
Connection method	Screw connection

# Valve connectors - SACC-VB-5CON-M16/AD-2L 24V - 1457908

## Technical data

### General

Conductor cross section	0.25 mm <sup>2</sup> ... 1.5 mm <sup>2</sup>
Conductor cross section AWG	24 ... 16
Insertion/withdrawal cycles	50 (Valve connector)
Torque	1.8 Nm ±0.2 Nm (Pressure screw)
	0.4 Nm ±0.1 Nm (Central screw)
	0.2 Nm ±0.1 Nm (Contact screw)

### Material

Flammability rating according to UL 94	HB
Valve plug contact material	CuZn
Valve plug contact surface material	CuSn
Material housing valve plug	PA
Sealing material	NBR

### Cable

Standards/specifications	Valve connector EN 175301-803
--------------------------	-------------------------------

### Standards and Regulations

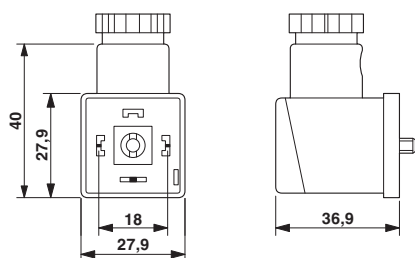
Standard designation	Valve connector
Standards/regulations	EN 175301-803
Flammability rating according to UL 94	HB

### Environmental Product Compliance

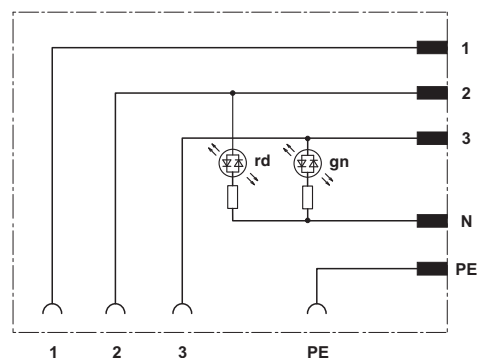
REACH SVHC	Lead 7439-92-1
China RoHS	Environmentally Friendly Use Period = 25;
	For details about hazardous substances go to tab "Downloads", Category "Manufacturer's declaration"

## Drawings

Dimensional drawing



Circuit diagram



## Valve connectors - SACC-VB-5CON-M16/AD-2L 24V - 1457908

### Approvals

Approvals

---

Approvals


EAC

---

Ex Approvals

---

### Approval details

EAC		RU C- DE.AI30.B.01102
-----	---	--------------------------

---

Phoenix Contact 2019 © - all rights reserved  
<http://www.phoenixcontact.com>

PHOENIX CONTACT GmbH & Co. KG  
Flachsmarktstr. 8  
32825 Blomberg  
Germany  
Tel. +49 5235 300  
Fax +49 5235 3 41200  
<http://www.phoenixcontact.com>