

MENDA

[Menda Catalog](#) > [Tools](#) > [Probes](#) > [Stainless Steel Prober Tools](#) >

35122 - PROBE, STEEL, STRAIGHT 5- 1/2IN

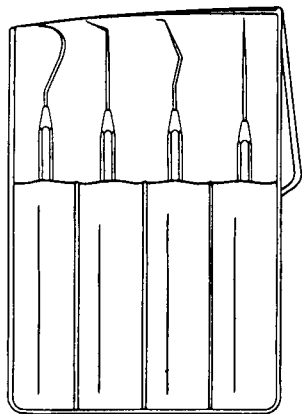
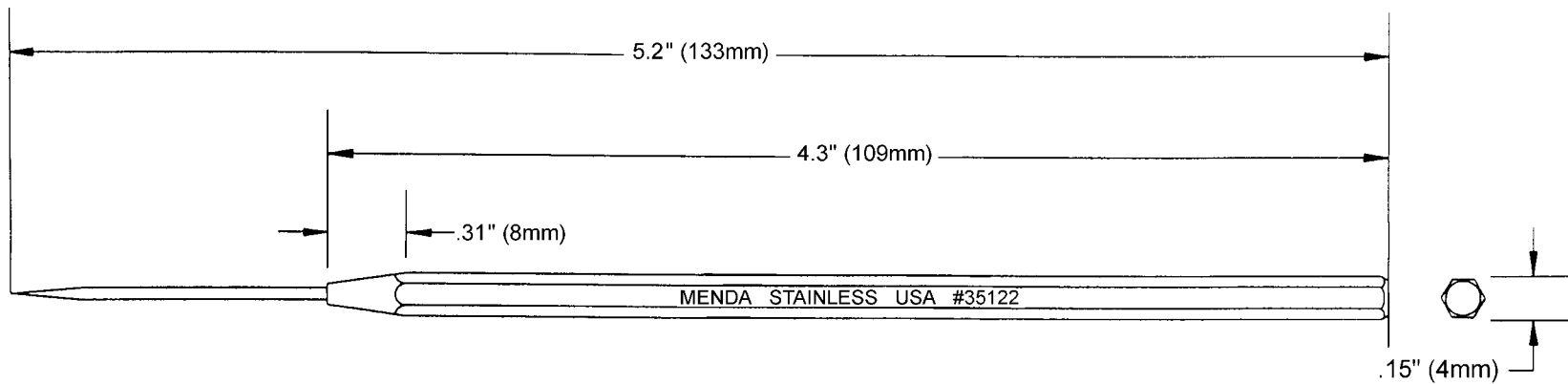


Quantity in
stock: 2023

- Ergonomic hex handle
- Non-magnetic, conductive 300 Series stainless steel
- Stainless steel won't corrode - no problem in working with magnetized parts
- Any charge can be grounded when placed on ESD protected work surface
- ESD Protective: Any charge can be grounded when placed on ESD protected work surface
- Made in America superior quality

Drawings

[35122](#) - Prober, Stainless Steel,
Straight



Material: 300 Series stainless steel
 Handle: 5/32" (4mm) hex shape to prevent rolling
 Points: Semi hardened - may be reshaped for special applications as required

Item 35630 - Kit of all four probes in light blue vinyl pouch with individual pockets.



Made in America

Prober, Stainless Steel, Straight

MENDA

DRAWING NUMBER
35122