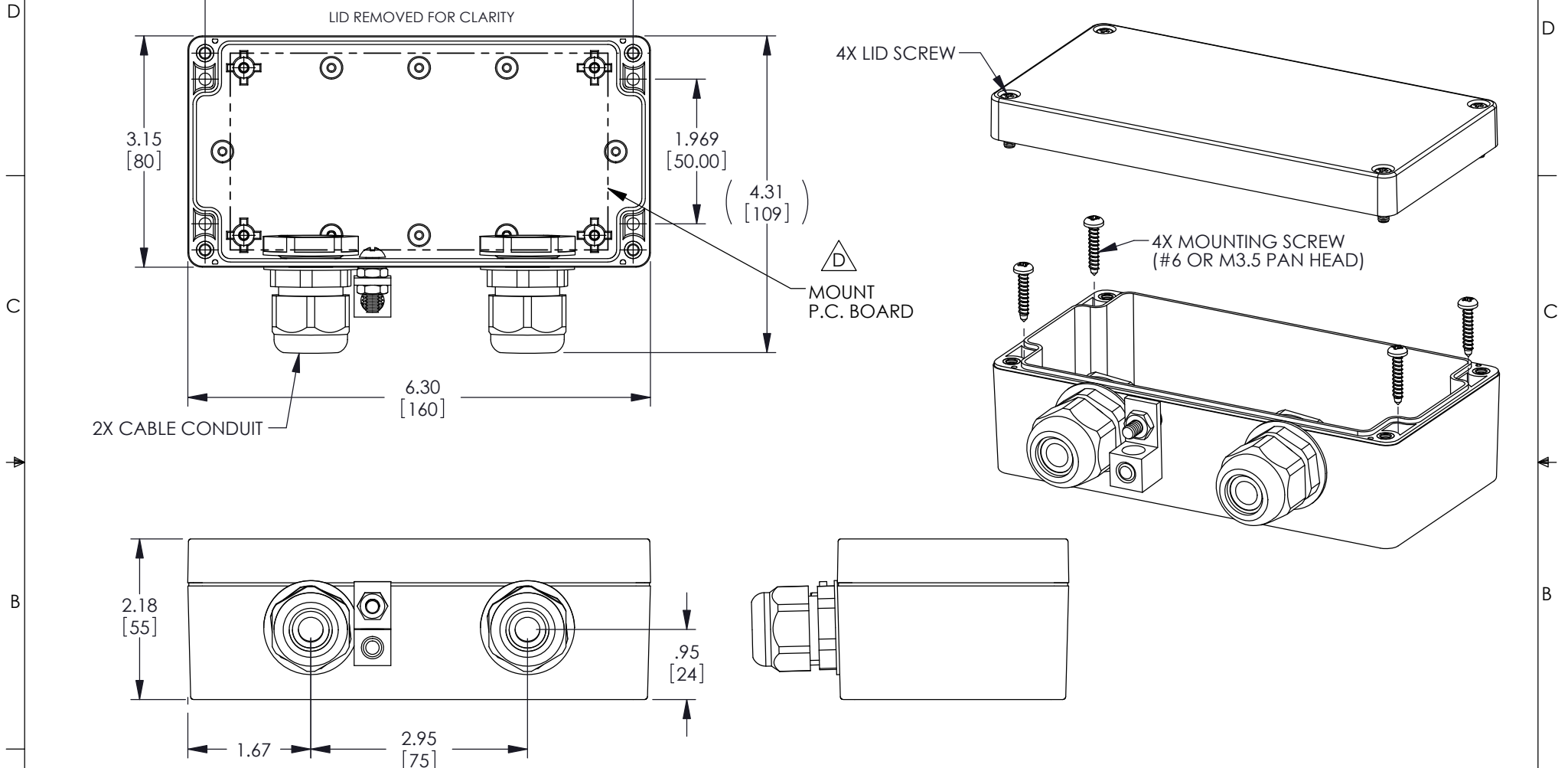



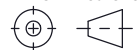
THE INFORMATION CONTAINED IN THIS DRAWING IS THE SOLE PROPERTY OF L-COM, INC. ANY REPRODUCTION IN PART OR WHOLE WITHOUT THE WRITTEN PERMISSION OF L-COM, INC. IS PROHIBITED.

REVISIONS			
REV	DESCRIPTION	DATE	APPROVED
B	ECN 7207 UPDATE PACKAGING AND RoHS NOTES	12/20/2013	BPUCHASKI
C	Redrawn in 3D, Removed Chart, New ground Clamp (ENC#5320)	02/28/2011	BPUCHASKI
D	ECN 11120: REVISE FORMAT, ADD P.C.B. OUTLINE	05/03/2021	DREBECK



**NOTES:**  
**PACKAGING:**  
 COMPONENT SHALL BE PACKAGED IN ACCORDANCE WITH L-COM SPEC PKG-00012

ALL DIMENSIONS ARE FOR REFERENCE ONLY

UNLESS OTHERWISE SPECIFIED, DIMENSIONS ARE IN INCHES [mm] OVERALL CABLE LENGTH TOLERANCE: ≤12 [305] = +1 [25] / -0 >12 [305] ≤60 [1524] = +2 [51] / -0 >60 [1524] ≤120 [3048] = +4 [102] / -0 >120 [3048] ≤300 [7620] = +6 [152] / -0 >300 [7620] = +5% / -0 ALL OTHER DIMENSIONAL TOLERANCES: .X = ± .2 [5]   FRACTIONS ± 1/32 .XX = ± .02 [5]   ANGLES ± 1° .XXX = ± .005 [13]	APPROVALS DRAWN BY BPUCHASKI CHECKED BY P.PESA APPROVED BY P.PESA	DATE 01/18/2010 01/18/2010 01/18/2010	 50 High Street, West Mill, North Andover, MA 01845 USA. Phone: 1.800.341.5266 1.978.682.6936	
	CONFIGURATION DETAILS OF UNDIMENSIONED FEATURES MAY VARY COLOR VARIATIONS MAY OCCUR			CATEGORY <b>ENCLOSURES</b> PRODUCT DESCRIPTION <b>Weatherproof Enclosure For AL Series LP's</b>
THIRD-ANGLE PROJECTION 	SIZE <b>A</b>	CAGE CODE <b>43321</b>	ITEM NO. <b>AL-W060302</b>	REV. <b>D</b>
SCALE: NONE		CAD FILE: AL-W060302.SLDDRW		SHEET 1 OF 1