

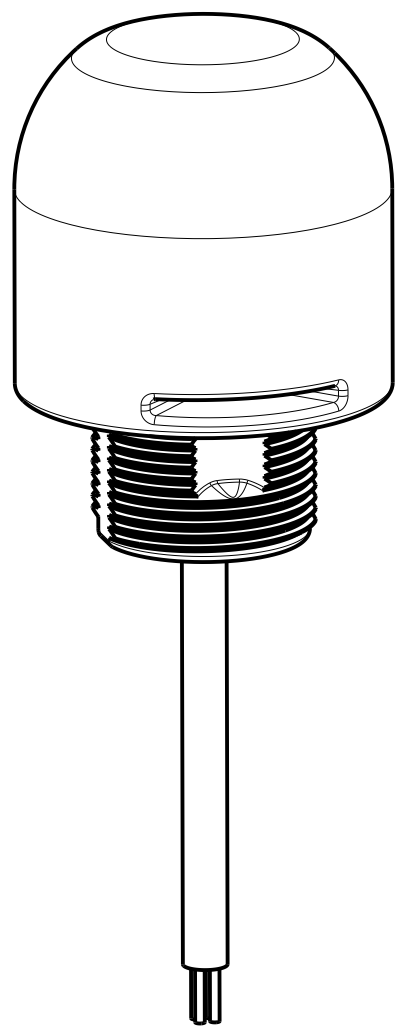
$\varnothing 50.0$
 [1.97]

49.6
 [1.95]

20.0
 [0.79]

M30 X 1.5

1/2-14 NPSM
 INTERIOR THREAD

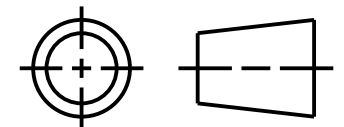


ISOMETRIC VIEW
 SCALE 1:1

NOTES:
 1. ALL DIMENSIONS ARE MILLIMETERS [INCHES] UNLESS OTHERWISE NOTED.
 2. REFER TO "www.bannerengineering.com" FOR ADDITIONAL DATA AND SPECIFICATIONS.

This drawing is the property
 of BANNER ENGINEERING CORP.
 Any use or reproduction,
 in any form, without prior
 written permission of
 Banner is prohibited.
 © 2015 Banner Engineering Corp.

THIRD ANGLE PROJECTION



| | | | |
|--|-------------------------------------|---|--|
| | | BANNER ENGINEERING CORP. www.bannerengineering.com | |
| TITLE K50L AUDIBLE BASE PIGTAIL/CABLE | | | |
| SIZE B | DRAWING NO. 225362 | REV. A | |
| SCALE 1:1 | | SHEET 1 OF 1 | |

CREO