

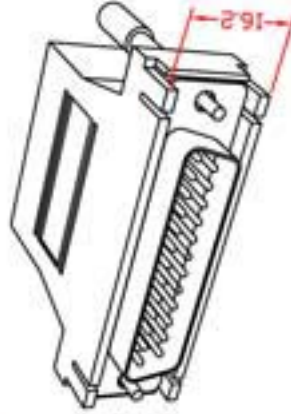
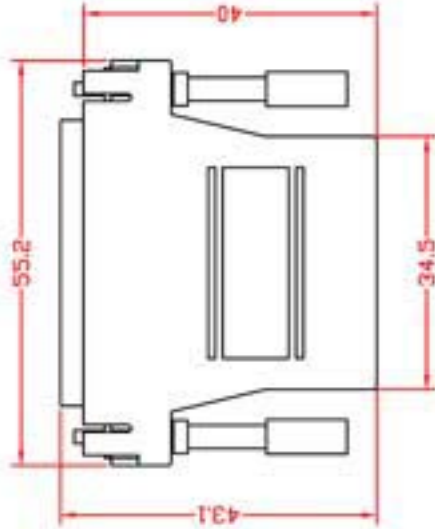
1 2 3 4 5 6



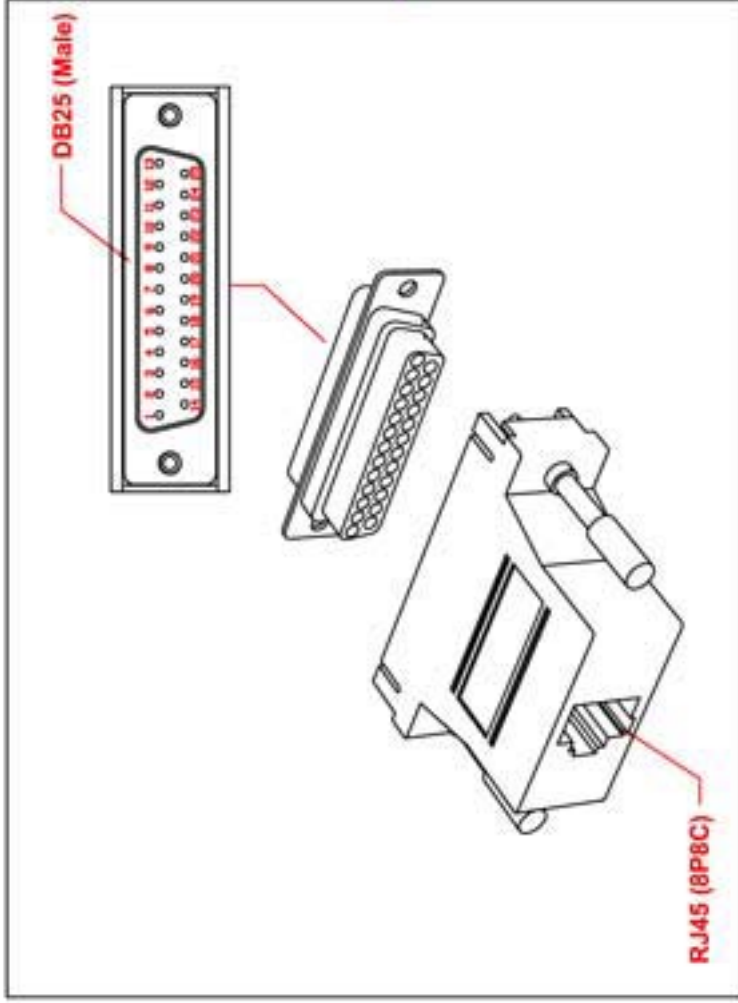
Body Color: Grey

PIN OUT:

RJ45 (8P8C)	Pin (Color)
1	Blue
2	Orange
3	Black
4	Red
5	Green
6	Yellow
7	Brown
8	White



MODULAR DB-25 MALE to RJ-45 Jack ADAPTER



ITEM NO.	NMA-8509			
PART NO.	68071499901			
DESIGNED BY ALEX	DATE	05/08/18	UNIT	MM
	SCALE	xx	VER.	1
NO.	Checked by			
APPR:	Approved by -date			



A

B

C

D

1 2 3 4 5 6