

THIS DOCUMENT CONTAINS PROPRIETARY DATA OF POLARIS INDUSTRIAL ENTERPRISES, INC. NO DISCLOSURE, REPRODUCTION, OR USE OF ANY PART THEREOF MAY BE MADE EXCEPT BY WRITTEN PERMISSION.

REV. BY DATE APPRVL. P/N RV4NAYS D

SPECIFICATIONS

RESISTANCE RANGE ----- 100,500,1K,5K,10K,50K,100K,1MEG OHM
 RESISTANCE TOLERANCE ----- ± 10%
 POWER RATING ----- 2 WATTS @70°C
 DERATED TO 0 WATTS AT 120°C
 MECHANICAL ANGLE ----- 31°
 OPERATING VOLTAGE ----- 500V SUBJECT TO POWER RATING
 INSULATION RESISTANCE ----- DRY: 10K MEG OHM
 WET: 100K MEG OHM
 DIELECTRIC STRENGTH ----- 900 V RMS AT SEA LEVEL
 OPERATING TORQUE ----- 1 OZ/IN TO 6 OZ/IN
 OPERATING TEMPERATURE ----- -65°C TO +125°C
 ROTATIONAL LIFE ----- 25,000 CYCLES

MATERIALS

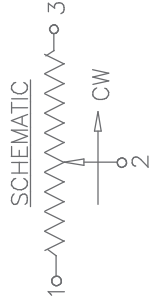
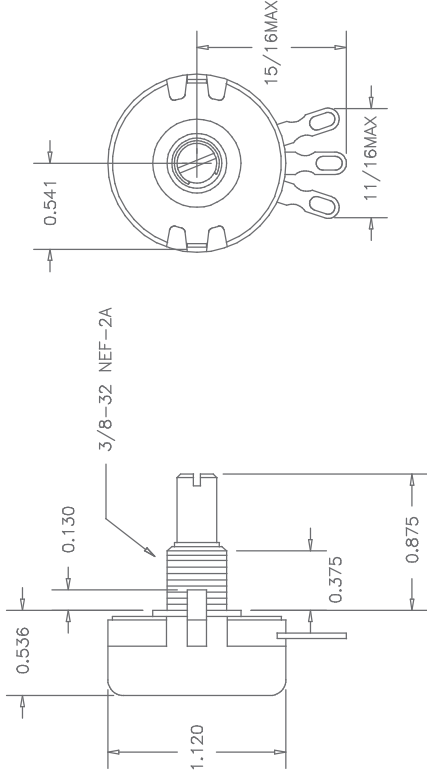
HOUSING ----- STAINLESS STEEL
 TERMINALS ----- GOLD PLATED
 SHAFT ----- STAINLESS STEEL
 RESISTIVE ELEMENT ----- HOT MOLDED CARBON

ENVIRONMENTAL

RESISTANCE TO SOLDERING HEAT ----- 350°C FOR 5 SECONDS
 HUMIDITY RANGE ----- PER MIL-R-94
 VIBRATION RANGE ----- PER MIL-R-94
 SHOCK RESISTANCE ----- PER MIL-R-94
 LOAD LIFE ----- 1000 Hr AT 70°C

OPTIONS

OTHER STANDARD RESISTANCE VALUES AVAILABLE
 CUSTOM SHAFTS AND BUSHINGS
 SPECIAL TAPERS
 FOURTH (CENTER) TERMINAL
 HIGH LIFE
 ATTACHED SWITCH



SCALE	DATE: 12-7-07
NONE	BY AT
CODE IDENT: 19477	APPRV'D

TOLERANCES
 XX = +/- .010" FRACT. = +/- 1/64"
 XXX = +/- .005" ANGLES = +/- 1/2"
 ALL SPECIFICATIONS SUBJECT TO CHANGE WITHOUT NOTICE.

ETI SYSTEMS
 CARLSBAD CALIFORNIA

TITLE
 SINGLE TURN
 POTENTIOMETER

PART NO.
 RV4NAYS D