

G3G120-BB13-02

# EC centrifugal fan

forward curved, single inlet

with housing (flange)

## ebm-papst Mulfingen GmbH & Co. KG

Bachmühle 2

74673 Mulfingen

Phone: +49 7938 81-0

Fax: +49 7938 81-110

www.ebmpapst.com

info1@de.ebmpapst.com

## Nominal data

Type	G3G120-BB13-02	
Motor	M3G055-BD	
Phase		1~
Nominal voltage	[VAC]	115
Frequency	[Hz]	50/60
Type of data definition		ml
State		prelim.
Speed	[min <sup>-1</sup> ]	2320
Power input	[W]	46
Current draw	[A]	0,70
Min. back pressure	[Pa]	0
Min. ambient temperature	[°C]	-25
Max. ambient temperature	[°C]	60

ml = max. load · me = max. efficiency · rfa = running at free air · cs = customer specs · cu = customer unit  
Subject to alterations

# EC centrifugal fan

forward curved, single inlet

with housing (flange)

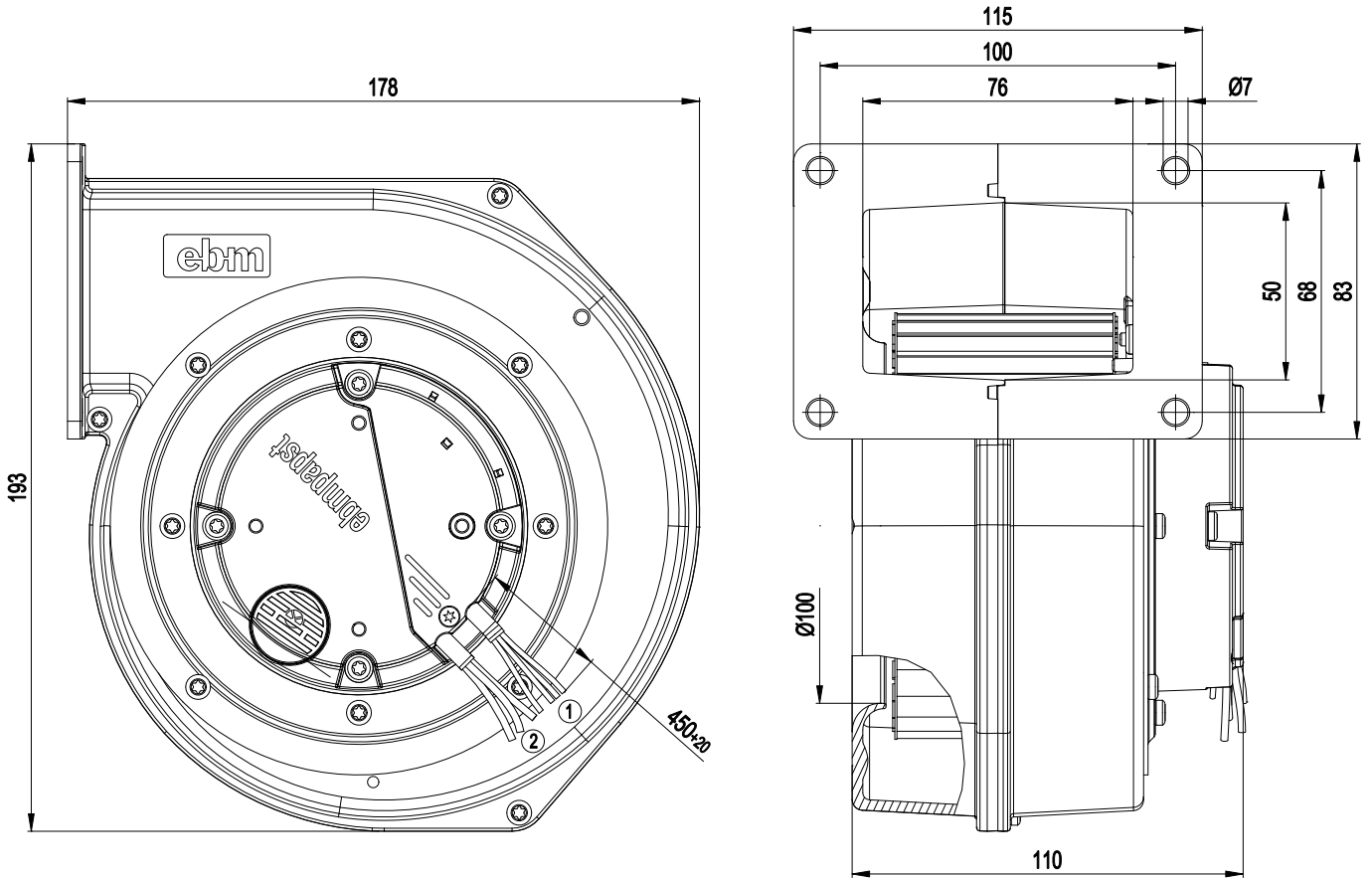
## Technical features

Leakage current	<= 3,5 mA
Size	120 mm
Operation mode	S1
Direction of rotation	Clockwise, seen on rotor
Mounting position	Shaft horizontal or rotor on bottom; rotor on top on request
EMC interference emission	Acc. to EN 61000-6-3 (household environment)
EMC interference immunity	Acc. to EN 61000-6-2
Insulation class	"B"
Cable exit	Variable
Condensate discharge holes	Rotor-side
Bearing motor	Ball bearing
Mass	1.8 kg
Material of electronics housing	Die-cast aluminium
Housing material	Die-cast aluminium
Material of impeller	Hot-dip galvanized sheet steel
Motor protection	Thermal overload protector (TOP) wired internally
Product conforming to standard	EN 60335-1
Surface of rotor	Galvanised
Type of protection	IP 44 - depending on position
Protection class	I
Technical features	Control input 0-10 VDC / PWM, output 10 VDC max. 1.1 mA, tach output, locked rotor protection
Max. permissible ambient motor temp. (transp./ storage)	+ 80 °C
Min. permissible ambient motor temp. (transp./storage)	- 40 °C
Approval	GOST; UL 2111

# EC centrifugal fan

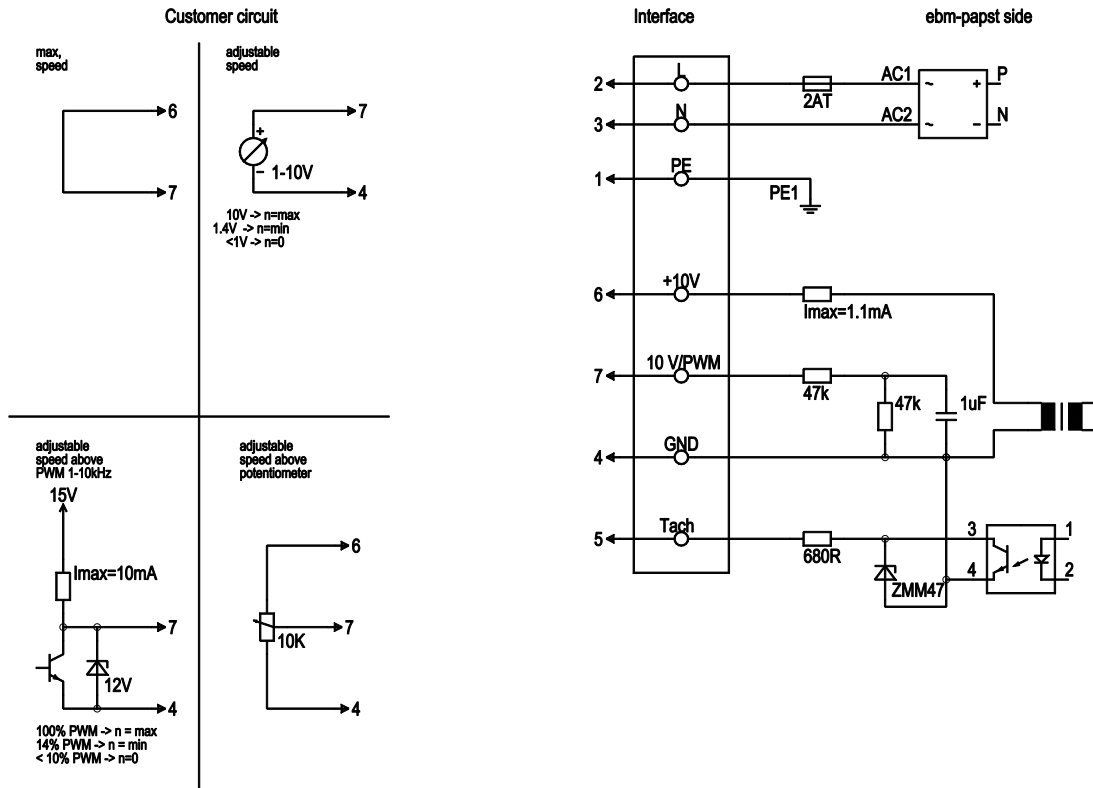
forward curved, single inlet  
with housing (flange)

## Product drawing



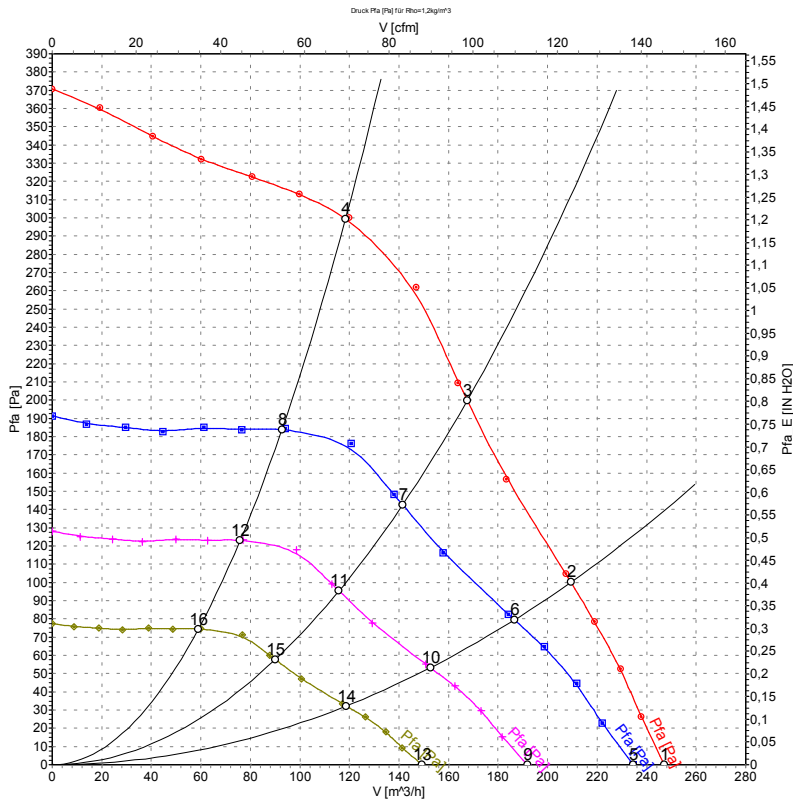
- |   |   |
|---|---|
| 1 | Connection line, special arrangement, 4x receptacle crimped |
| 2 | Connection line, special arrangement, 3x receptacle crimped |

## Connection screen



Line	No.	Signal	Colour	Function / assignment
	1	PE	green/yellow	Protective earth
	2	L	brown	Power supply 115 VAC, 50-60 Hz, see type plate for voltage range
	3	N	blue	Neutral conductor
	4	GND	blue	GND - Connection for control interface
	5	Tacho	white	Tach output: open collector, 1 pulse per revolution, electrically isolated
	6	10V/ max. 1,1mA	red	Voltage output 10 V/ 1.1 mA, electrically isolated
	7	0-10V PWM	yellow	Control input 0 - 10 V or PWM, electrically isolated

## Charts: Air flow 50 Hz



Measurement: LU-73162

### Measured values

	U	f	n	P <sub>1</sub>	I	Ŵ	P <sub>fa</sub>
	[V]	[Hz]	[min <sup>-1</sup> ]	[W]	[A]	[m <sup>3</sup> /h]	[Pa]
1	115	50	2320	46	0.70	245	0
2	115	50	2470	41	0.60	210	100
3	115	50	2605	35	0.52	170	200
4	115	50	2810	28	0.42	120	300
5	115	50	2200	39	0.57	235	0
6	115	50	2200	29	0.43	185	79
7	115	50	2200	21	0.31	140	142
8	115	50	2200	13	0.20	95	184
9	115	50	1800	21	0.31	190	0
10	115	50	1800	16	0.23	155	53
11	115	50	1800	11	0.17	115	95
12	115	50	1800	7	0.11	75	124
13	115	50	1400	10	0.15	150	0
14	115	50	1400	7	0.11	120	32
15	115	50	1400	5	0.08	90	58
16	115	50	1400	3	0.05	60	75