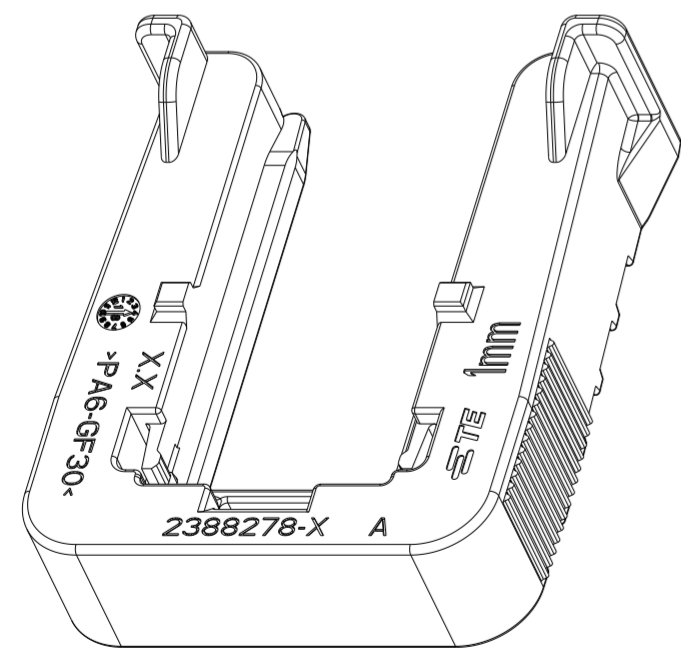
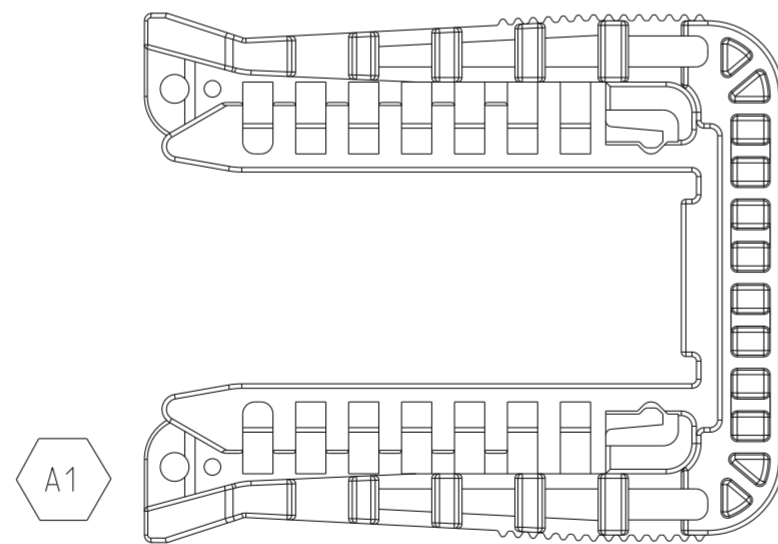
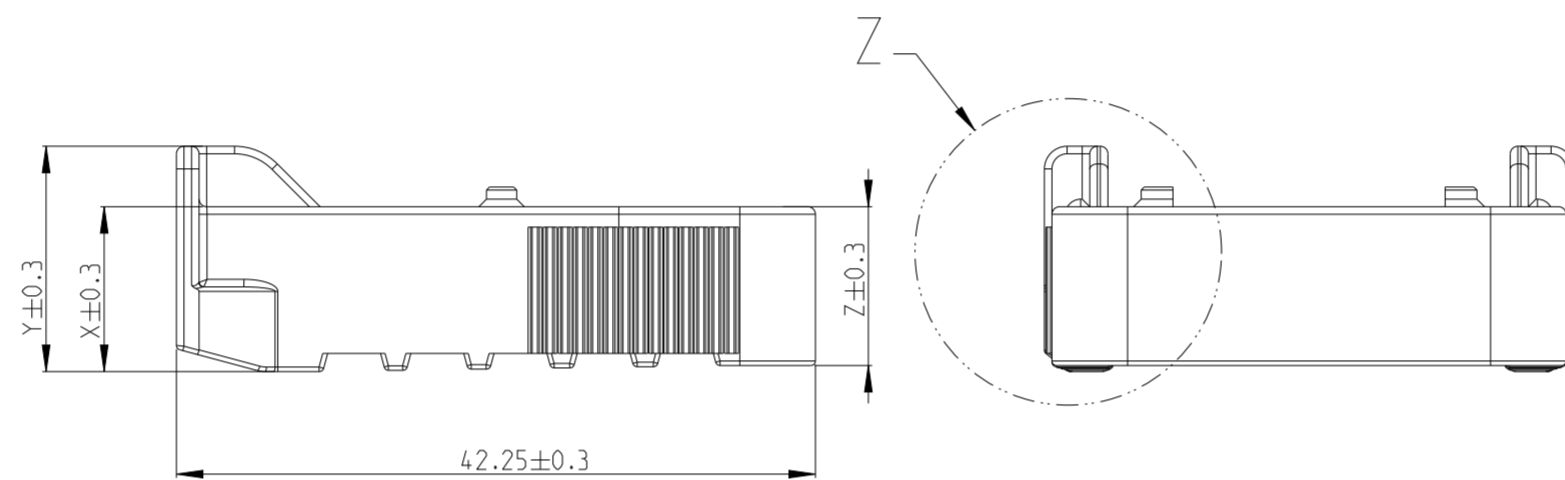
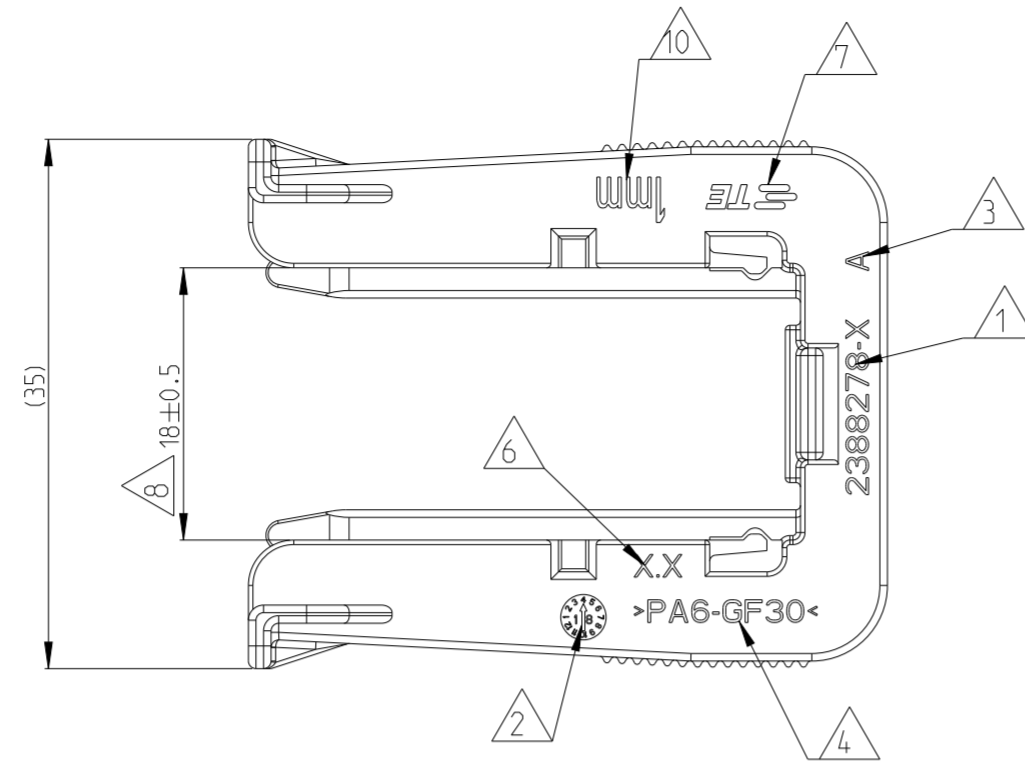
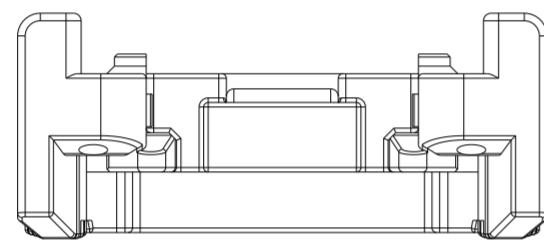


GEOMETRY GRADUALLY INCREASING FROM DIMENSION "Z" TO "X".

DETAIL Z  
SCALE 5:1



2388278-1 AS SHOWN

REVISIONS					
P	LTR	DESCRIPTION	DATE	DWN	APVD
	A	INITIAL RELEASE	12APR2021	J.S	I.Y
	A1	ECN-21-117700	15SEP2021	J.S	Z.Z

1. MATERIAL : PA6-GF30 V-0 OR EQUIVALENCE RESIN.
2. PRODUCT DATE
3. LETTER-INSERT FOR THE REVISION STATUS OF THE MOULD
4. MATERIAL MARKING ACCORDING TO VDA260
5. BULK PACKAGING IN CORRUGATED BOX
6. MOULD CAVITY MARKING
7. TE LOGO
8. WARGAGE PERMITTED UP TO -1.5MM FROM NOMINAL SIZE
9. SUITABLE FOR TAB HOUSING WITH FLANGE GROUP D, SEE PRODUCT GROUP DRAWING 1563709.
10. MARKING FOR SUITABLE SHEET METEAL THICKNESS(NOMINAL SIZE)

2388278-6	A	SLIDER 3.5MM	GREY	8.4	12.4	8.0	6.5
2388278-5	A	SLIDER 3MM	YELLOW	8.9	12.9	8.5	6.7
2388278-4	A	SLIDER 2.5MM	RED	9.4	13.4	9.0	6.9
2388278-3	A	SLIDER 1.5MM	GREY	10.4	14.4	10.0	7.4
A1 2388278-2	A	SLIDER 1.2MM	ORANGE	10.7	14.7	10.3	7.5
2388278-1	A	SLIDER 1MM	NATURAL	10.9	14.9	10.5	7.6
PART NO	REV.	DESCRIPTION	COLOUR	DIM X	DIM Y	DIM Z	WEIGHT [g]

THIS DRAWING IS A CONTROLLED DOCUMENT.		DWN J.SHANG 12APR2021	<b>STE</b> TE Connectivity	
DIMENSIONS: mm		CHK C.WAN 12APR2021		
TOLERANCES UNLESS OTHERWISE SPECIFIED:		APVD J.YIN 12APR2021	NAME SLIDE, GROUP D, TAB HOUSING	
0 PLC ±		PRODUCT SPEC 108-94020	-	
1 PLC ±		APPLICATION SPEC 114-18756	-	
2 PLC ±		WEIGHT SEE TABLE A2	SIZE A2	CAGE CODE 00779
3 PLC ±		FINISH -	DRAWING NO C-2388278	RESTRICTED TO -
4 PLC ±			SCALE 2:1	SHEET 1 OF 1
ANGLES ±			REV A1	