

NOTES:

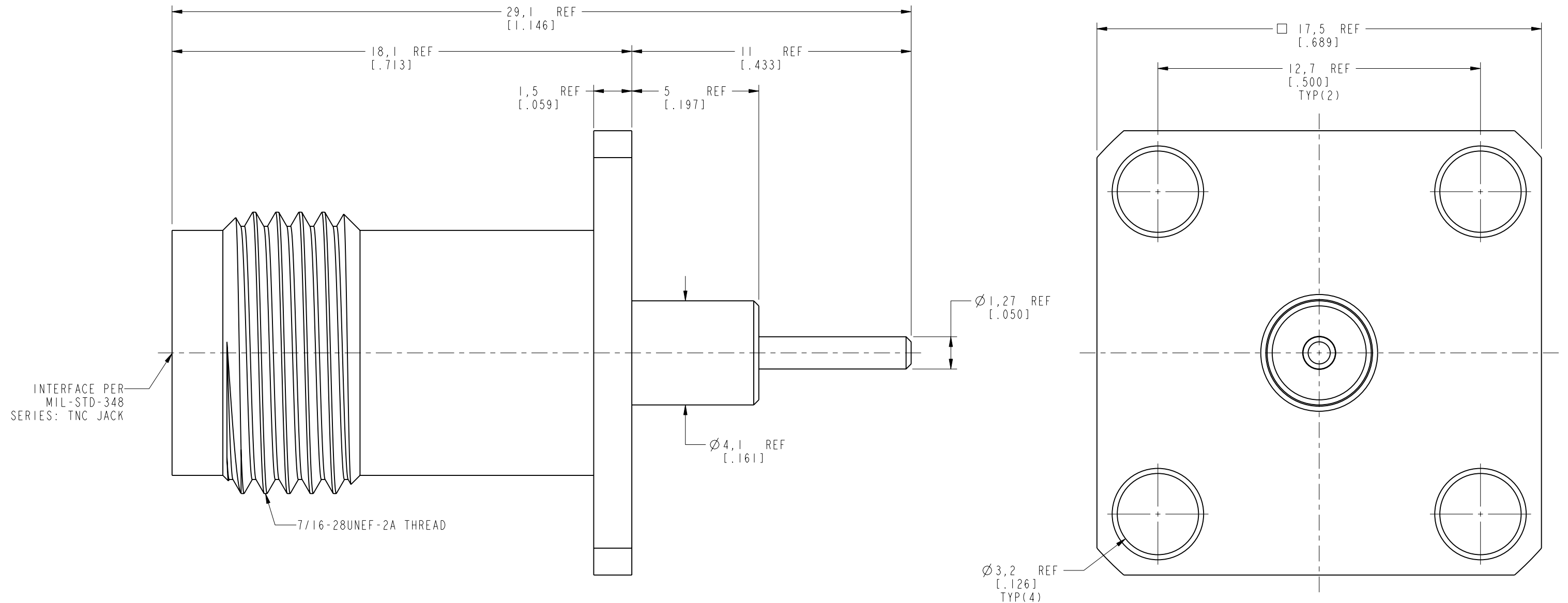
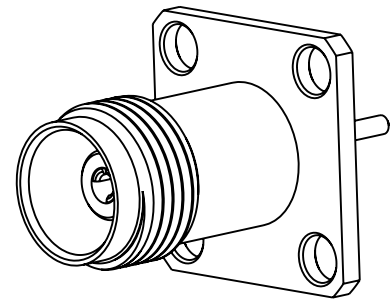
- 1. MATERIALS AND FINISHES:  
 BODY & RETAINING RING - BRASS, NICKEL PLATING  
 INSULATOR - PTFE, NATURAL  
 CONTACT - BeCu, GOLD PLATING
- 2. ELECTRICAL:  
 A. IMPEDANCE: 50 OHM  
 B. FREQUENCY RANGE: DC - 11 GHz  
 C. VSWR: 1.30 MAX.  
 VSWR PERFORMANCE DEPENDENT UPON PANEL CAVITY DIAMETER  
 AND GEOMETRIES USED OVER INSULATOR POST  
 D. DIELECTRIC WITHSTANDING VOLTAGE: 1500 VRMS, MIN.

- 3. MECHANICAL:  
 A. DURABILITY: 500 CYCLES MIN.  
 B. TEMPERATURE RANGE: -65°C TO +165°C
- 4. PACKAGING:  
 A. QUANTITY: SINGLE PACK  
 B. MARKING: BAG TO BE MARKED  
 "AMPHENOL RF, 31-6887 & DATE CODE"

THIRD ANGLE PROJ.

REVISIONS

REV	DESCRIPTION	DATE	ECN	APPR
A	RELEASE TO MFG.	10-Mar-20	14622	EH



**CUSTOMER OUTLINE DRAWING**  
 ALL OTHER SHEETS ARE FOR INTERNAL USE ONLY

UNLESS OTHERWISE SPECIFIED, DIMENSIONS ARE IN METRIC AND TOLERANCES ARE: <0.5mm ±0.05mm    0.5 - 6mm ±0.1mm    6 - 30mm ±0.2mm    30 - 120mm ±0.3mm    ANGLES ±1°	MATERIAL	DRAWN	DATE	TITLE TNC STR JACK 4 HOLE FLANGE PANEL MOUNT RECEPTACLE	Amphenol RF www.amphenolrf.com	
	SEE NOTES	M. ZHANG	10-Mar-20			
NOTICE - These drawings, specifications, or other data (1) are, and remain the property of Amphenol corp. (2) must be returned upon request; and (3) are confidential and not to be disclosed to any person other than those to whom they are given by Amphenol Corp. the furnishing of these drawings, specifications, or other data by Amphenol Corp., or to any other person to anyone for any purpose is not to be regarded by implication or otherwise in any manner licensing, granting rights to permitting such holder or any other person to manufacture, use or sell any product, process or design, patented or otherwise, that may in any way be related to or disclosed by said drawings, specifications, or other data.	REFERENCE	ENGINEER	DATE	SCALE: 6.5:1.0   SHEET 2 OF 2	DRAWING NO. 31-6887	
	EAR# 9279	VIJAY N M	09-Sep-19		ITEM NO. 31-6887	
	REF: 122396	APPROVED	S. HSIEH	DATE	DWG SIZE	REV
CONFIGURATION LEVEL: In Work	CAD FILE		12-Mar-20	B	A	PART NO. 31-6887
FINISH						