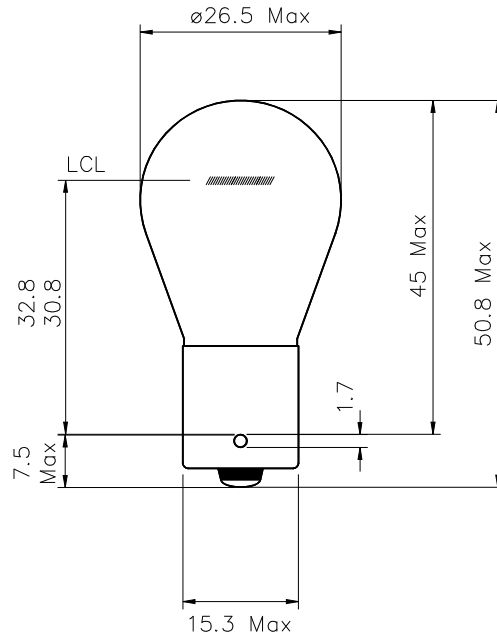


**PRODUCT
DATA SHEET**

Type	Size	Rating	Description	Part No.
Incandescent	S-8	12.8V 2.1A	S-8 SC Bayonet Lamp	1156



Drawing Not To Scale
All Dimensions In mm

PHOTOMETRY DATA

TEST VOLTS	CURRENT (A)			LIGHT OUTPUT (Lm)			LIFE (Hours)
	Min.	Nom.	Max.	Min.	Nom.	Max.	
12.8	2.0	2.1	2.2	362	402	442	600

NOTES:

- 1) Lamp base BA15s in accordance with ANSI C.81.30 and IEC 61-1, (BS EN 60061-1), sheet 7004-11B-x. (Cap finish to be nickel-plated or alternatively brass finish by exception only).
- 2) C-6 Filament Shape.
- 3) Plane of cap pins with respect to filament is $90^\circ \pm 15^\circ$.
- 4) Lamp Marking: The cap to be engraved or durably ink stamped "1156" or according to purchase order.

Issue No.	Date	C.N. No.	Drawn	Tech	QA	M & P	Sales
1	4/2/97	(4FP396)	NR				