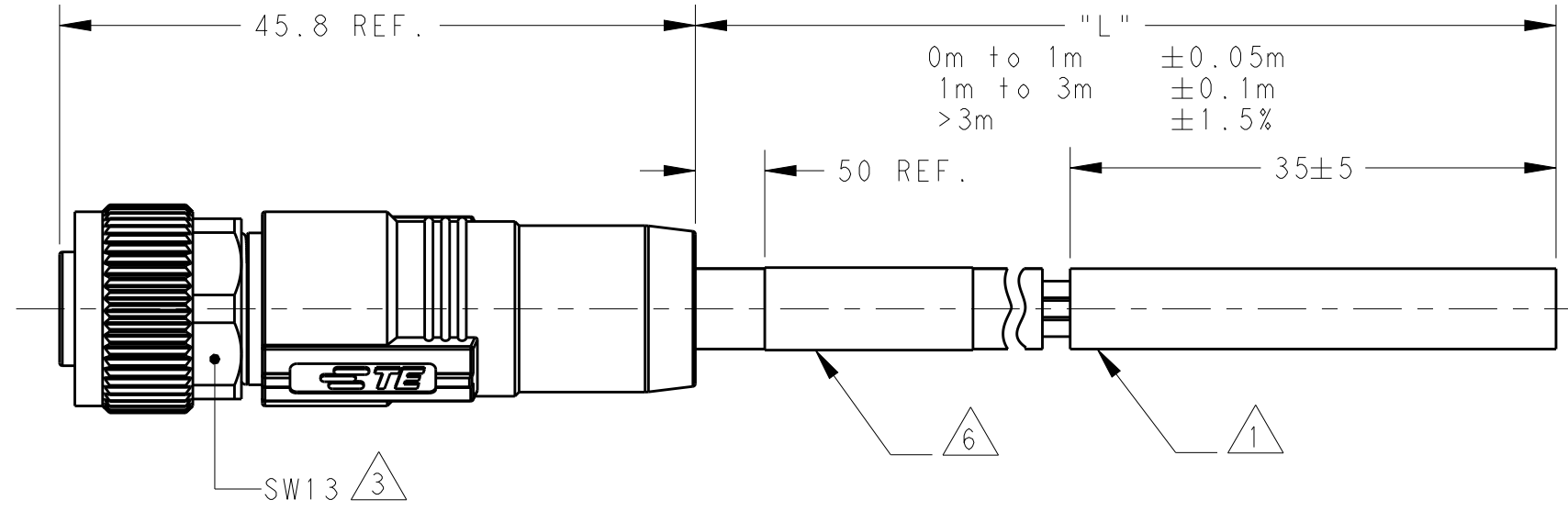
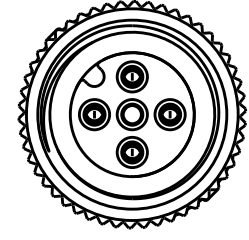


THIS DRAWING IS UNPUBLISHED. RELEASED FOR PUBLICATION 20
 © COPYRIGHT 20 BY - ALL RIGHTS RESERVED.

ITEM	DESCRIPTION	MATERIAL	OTHERS
1	FEMALE CONTACT	COPPER ALLOY	GOLD PLATED
2	HOUSING	NYLON	BLACK
3	COUPLING NUT	COPPER ALLOY	NICKEL PLATED
4	OVER-MOLDING	PVC	BLACK
5	SHIELDED SHELL	COPPER ALLOY	NICKEL PLATED
6	O-RING	SILICONE	GRAY
7	CABLE	PVC JACKET	RED
8	LABEL	-	-

REVISIONS				
P	LTR	DESCRIPTION	DATE	APVD
	A	INITIAL RELEASE	29JUL2019	A.Z C.W



NOTE:
 1. STRIP AND RETAIN THE INSULATION
 2. CODE POSITION INDICATOR
 3. RECOMMENDED TORQUE 0.6 Nm
 4. -** : CABLE LENGTH, FOR EXAMPLE: -0.5M
 5. CABLE ASSEMBLY TO BE PACKAGED IN POLYBAGS
 6. LABEL CONTAINS: PN, DATE CODE...

注释:
 1. 剥线并保留护套绝缘层
 2. CODE位置指示
 3. 推荐扭矩0.6 Nm
 4. -** : 线缆长度, 例如: -0.5M
 5. 线缆组件塑料袋包装
 6. 标签包含: 产品编号, 日期代码...

TE PN CODING:

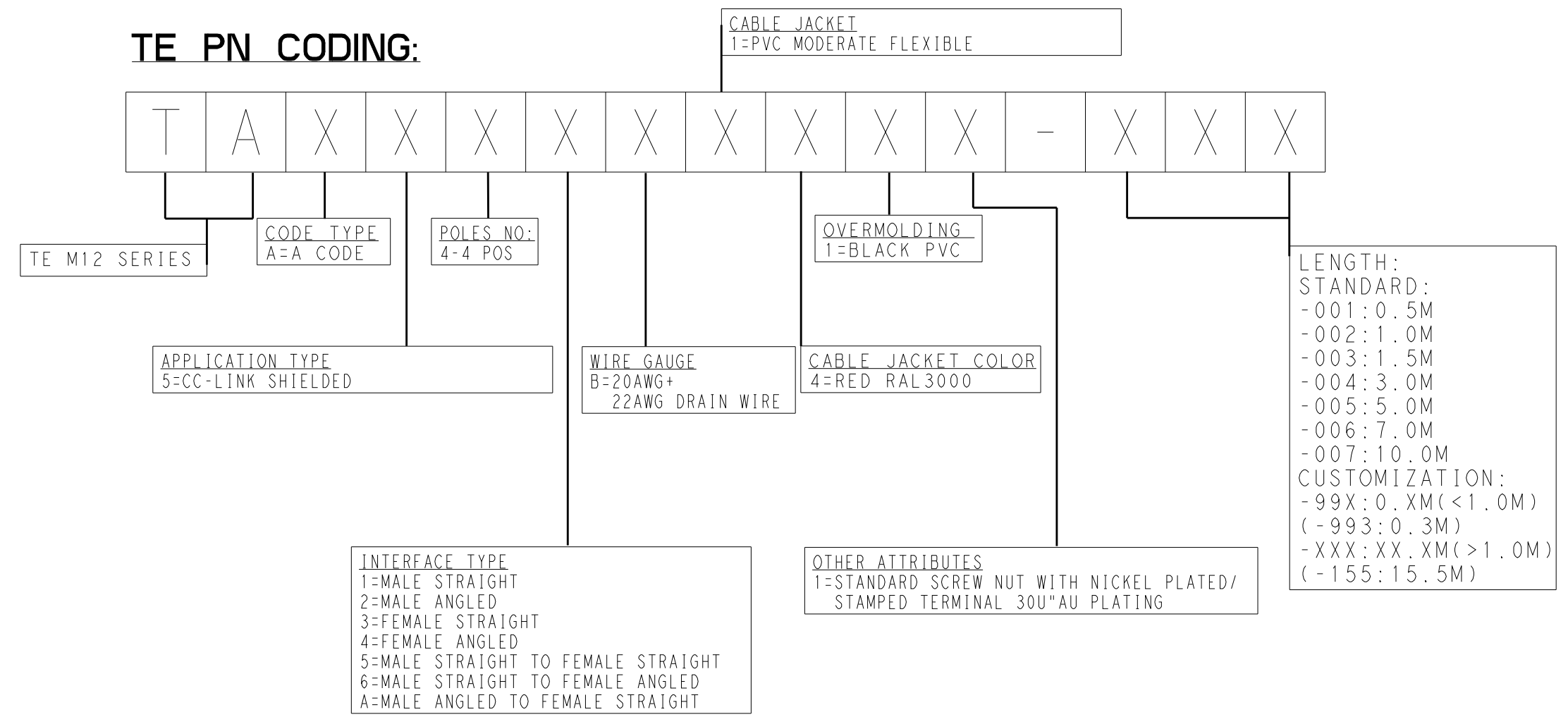
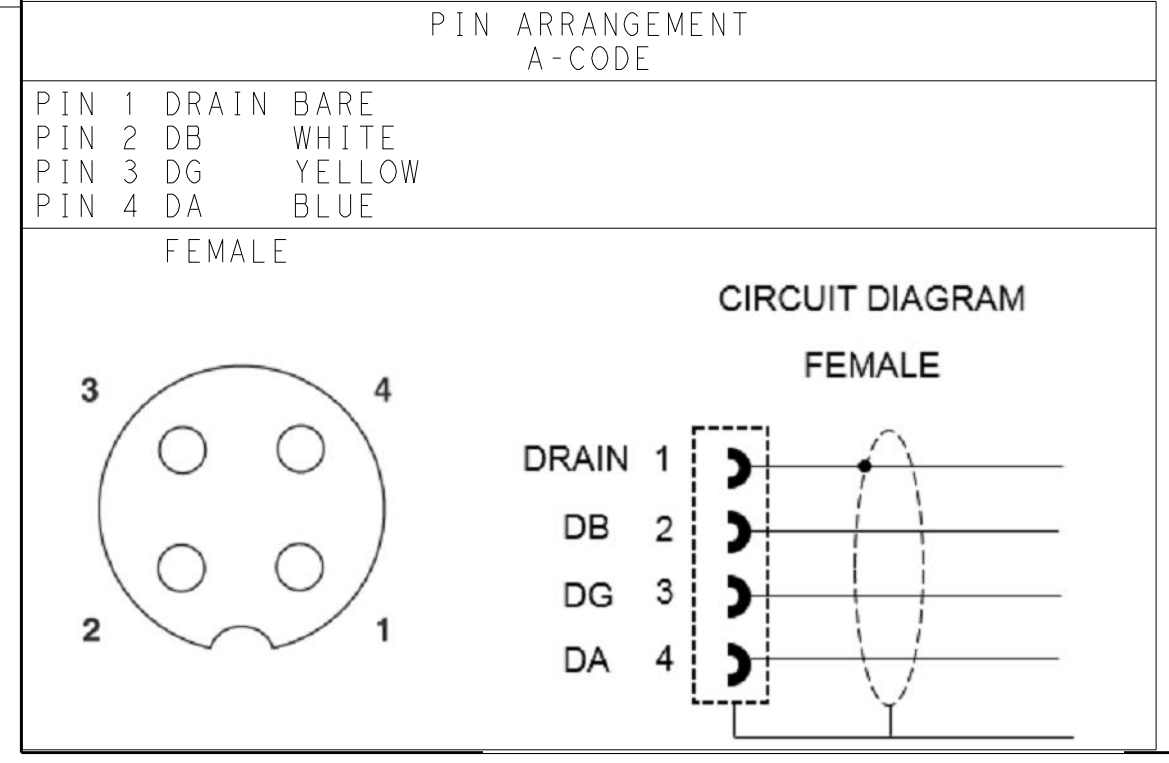
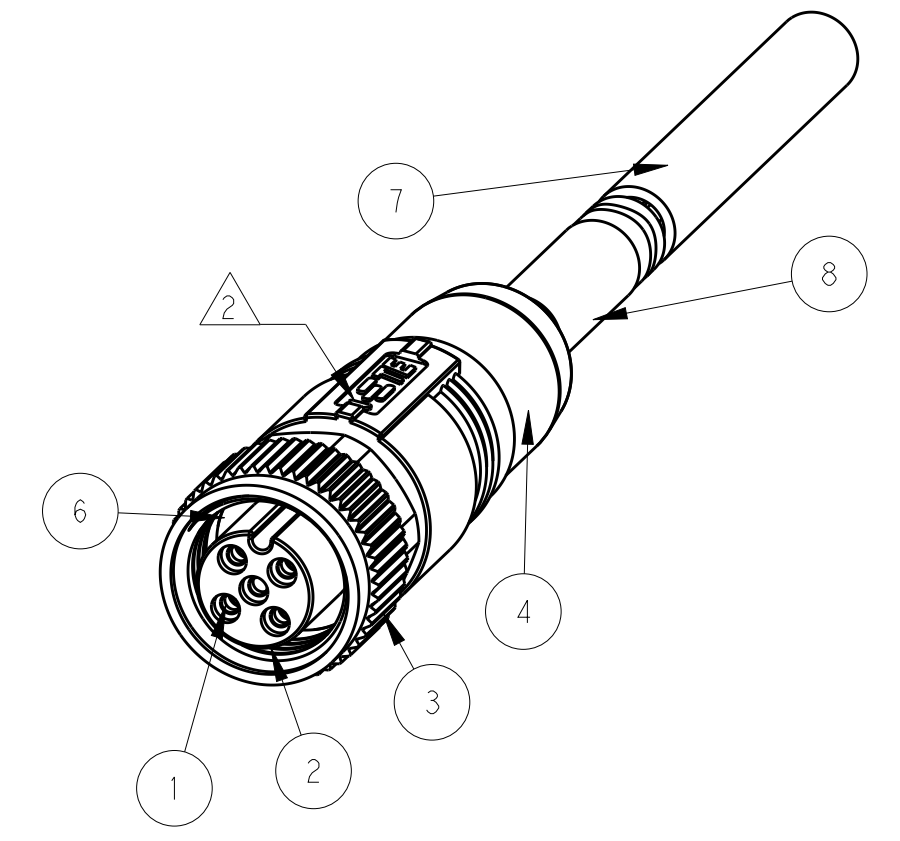


TABLE 1
 TECHNICAL DATA

RATED VOLTAGE	250V
RATED IMPULSE VOLTAGE	2500V
RATED CURRENT	4A
POLLUTION DEGREE	3
OVERVOLTAGE CATEGORY	II
MATERIAL GROUP	II
DEGREE OF PROTECTION	IP67



WIRES: 3X20AWG+1X22AWG DRAIN WIRE WIRE COLOR: BLUE/YELLOW/WHITE OD: APPROX. 7.7MM TEMPERATURE RATING: 75°C UL OPERATING TEMP RATING: -30°C To +60°C	STANDARD: -001:0.5M -002:1.0M -003:1.5M -004:3.0M -005:5.0M -006:7.0M -007:10.0M CUSTOMIZATION: -99X:0.XM(<1.0M) (-993:0.3M) -XXX:XX.XM(>1.0M) (-155:15.5M)	M12A4-FS-PVC-*** ¹	TAA543B1411-XXX
CABLE CHARACTERISTIC	LENGTH "L"	TYPE	TE PN

THIS DRAWING IS A CONTROLLED DOCUMENT.		DWN 11APR2019 ALEX ZHANG	TE Connectivity	
DIMENSIONS: mm		CHK 11APR2019 HART HE		
TOLERANCES UNLESS OTHERWISE SPECIFIED:		APVD 11APR2019 CHRIS WANG	NAME M12 A CODE CABLE ASSY, SHIELDED 4P, FS FREE END	
0 PLC ± 1 PLC ± 2 PLC ± 3 PLC ± 4 PLC ± ANGLES ± FINISH		PRODUCT SPEC 108-106140	SIZE A2	
MATERIAL		APPLICATION SPEC	DRAWING NO C-TAA543B1411XXX	
CUSTOMER DRAWING		WEIGHT	RESTRICTED TO	
		SCALE 2:1	SHEET 1 OF 1 REV A	