



125W Dual Output Switching Power Supply

RD-125 series



■ Features :

- Protections: Short circuit / Overload / Over voltage
- Cooling by free air convection
- LED indicator for power on
- 100% full load burn-in test
- All using 105°C long life electrolytic capacitors
- Withstand 300VAC surge input for 5 second
- High operating temperature up to 70°C
- Withstand 5G vibration test
- High efficiency, long life and high reliability
- 3 years warranty

User's Manual



■ GTIN CODE

MW Search: <https://www.meanwell.com/serviceGTIN.aspx>



SPECIFICATION

| MODEL | RD-125A | | RD-125B | | |
|--------------------------------------|--|---|----------|---|----------|
| OUTPUT | OUTPUT NUMBER | CH1 | CH2 | CH1 | CH2 |
| | DC VOLTAGE | 5V | 12V | 5V | 24V |
| | RATED CURRENT | 7.7A | 7.7A | 4.6A | 4.6A |
| | CURRENT RANGE <small>Note.3</small> | 0 ~ 12A | 0 ~ 10A | 0 ~ 10A | 0 ~ 5A |
| | RATED POWER <small>Note.6</small> | 130.9W | | 133.4W | |
| | RIPPLE & NOISE (max.) <small>Note.2</small> | 80mVp-p | 120mVp-p | 80mVp-p | 120mVp-p |
| | VOLTAGE ADJ. RANGE | CH1: 4.75 ~ 5.5V | | CH1: 4.75 ~ 5.5V | |
| | VOLTAGE TOLERANCE <small>Note.3</small> | ±5.0% | ±7.0% | ±5.0% | ±7.0% |
| | LINE REGULATION <small>Note.4</small> | ±1.0% | ±2.0% | ±1.0% | ±2.0% |
| | LOAD REGULATION <small>Note.5</small> | ±3.0% | ±4.0% | ±3.0% | ±4.0% |
| | SETUP, RISE TIME | 500ms, 20ms/230VAC 1200ms, 30ms/115VAC at full load | | | |
| HOLD UP TIME (Typ.) | 25ms/230VAC 30ms/115VAC at full load | | | | |
| INPUT | VOLTAGE RANGE | 88 ~ 132VAC / 176 ~ 264VAC selected by switch | | 248 ~ 373VDC(Withstand 300VAC surge for 5sec. Without damage) | |
| | FREQUENCY RANGE | 47 ~ 63Hz | | | |
| | EFFICIENCY (Typ.) | 82% | | 85% | |
| | AC CURRENT (Typ.) | 3A/115VAC 2A/230VAC | | | |
| | INRUSH CURRENT (Typ.) | COLD START 50A/230VAC | | | |
| LEAKAGE CURRENT | <2mA / 240VAC | | | | |
| PROTECTION | OVERLOAD | 110 ~ 150% rated output power Protection type : Hiccup mode, recovers automatically after fault condition is removed | | | |
| | OVER VOLTAGE | CH1: 5.75 ~ 6.75V Protection type : Hiccup mode, recovers automatically after fault condition is removed | | | |
| ENVIRONMENT | WORKING TEMP. | -25 ~ +70°C (Refer to "Derating Curve") | | | |
| | WORKING HUMIDITY | 20 ~ 90% RH non-condensing | | | |
| | STORAGE TEMP., HUMIDITY | -40 ~ +85°C, 10 ~ 95% RH | | | |
| | TEMP. COEFFICIENT | ±0.03%/°C (0 ~ 50°C) on CH1 output | | | |
| SAFETY & EMC <small>(Note 7)</small> | VIBRATION | 10 ~ 500Hz, 5G 10min./1cycle, period for 60min. each along X, Y, Z axes | | | |
| | SAFETY STANDARDS | UL62368-1, TUV BS EN/EN62368-1, IS 13252(Part 1), EAC TP TC 004 approved | | | |
| | WITHSTAND VOLTAGE | I/P-O/P:3KVAC I/P-FG:2KVAC O/P-FG:0.5KVAC | | | |
| | ISOLATION RESISTANCE | I/P-O/P, I/P-FG, O/P-FG:100M Ohms / 500VDC / 25°C / 70% RH | | | |
| | EMC EMISSION | Compliance to BS EN/EN55032 (CISPR32) Class B, BS EN/EN61000-3-2,-3, EAC TP TC 020 | | | |
| OTHERS | EMC IMMUNITY | Compliance to BS EN/EN61000-4-2,3,4,5,6,8,11, BS EN/EN55035, BS EN/EN61000-6-2 (BS EN/EN50082-2), heavy industry level, EAC TP TC 020 | | | |
| | MTBF | 2755.4K hrs min. Telcordia SR-332 (Bellcore) ; 425.8K hrs min. MIL-HDBK-217F (25°C) | | | |
| | DIMENSION | 199*98*38mm (L*W*H) | | | |
| NOTE | PACKING | 0.7Kg; 20pcs/15Kg/0.85CUFT | | | |
| | <p>1. All parameters NOT specially mentioned are measured at 230VAC input, rated load and 25°C of ambient temperature. 2. Ripple & noise are measured at 20MHz of bandwidth by using a 12" twisted pair-wire terminated with a 0.1uf & 47uf parallel capacitor. 3. Tolerance : includes set up tolerance, line regulation and load regulation.(In order to meet tolerance, it is recommended that CH1 load >15% rated current.) 4. Line regulation is measured from low line to high line at rated load. 5. Load regulation is measured from 20% to 100% rated load, and other output at 60% rated load. 6. Each output can work within current range. But total output power can't exceed rated output power. 7. The power supply is considered a component which will be installed into a final equipment. All the EMC tests are been executed by mounting the unit on a 360mm*360mm metal plate with 1mm of thickness. The final equipment must be re-confirmed that it still meets EMC directives. For guidance on how to perform these EMC tests, please refer to "EMI testing of component power supplies." (as available on http://www.meanwell.com) 8. Length of set up time is measured at cold first start. Turning ON/OFF the power supply very quickly may lead to increase of the set up time. 9. The ambient temperature derating of 3.5°C/1000m with fanless models and of 5°C/1000m with fan models for operating altitude higher than 2000m(6500ft). ※ Product Liability Disclaimer : For detailed information, please refer to https://www.meanwell.com/serviceDisclaimer.aspx</p> | | | | |



125W Dual Output Switching Power Supply

RD-125 series



■ Features :

- Protections: Short circuit / Overload / Over voltage
- Cooling by free air convection
- LED indicator for power on
- 100% full load burn-in test
- All using 105°C long life electrolytic capacitors
- Withstand 300VAC surge input for 5 second
- High operating temperature up to 70°C
- Withstand 5G vibration test
- High efficiency, long life and high reliability
- 3 years warranty



■ GTIN CODE

MW Search: <https://www.meanwell.com/serviceGTIN.aspx>



SPECIFICATION

| MODEL | RD-125-1224 | | RD-125-1248 | | RD-125-2448 | | |
|-----------------------|---|---|----------------------------------|--|-------------|-------------------|----------|
| OUTPUT | OUTPUT NUMBER | CH1 | CH2 | CH1 | CH2 | CH1 | CH2 |
| | DC VOLTAGE | 12V | 24V | 12V | 48V | 24V | 48V |
| | RATED CURRENT | 3.7A | 3.7A | 2.3A | 2.3A | 2A | 2A |
| | CURRENT RANGE <small>Note.3</small> | 0 ~ 7A | 0 ~ 5A | 0 ~ 7A | 0 ~ 2.5A | 0 ~ 4A | 0 ~ 2.5A |
| | RATED POWER <small>Note.6</small> | 133.2W | | 138W | | 144W | |
| | RIPPLE & NOISE (max.) <small>Note.2</small> | 120mVp-p | 200mVp-p | 120mVp-p | 240mVp-p | 200mVp-p | 240mVp-p |
| | VOLTAGE ADJ. RANGE | CH1: 11.4 ~ 13.2V | | CH1: 11.4 ~ 13.2V | | CH1: 22.8 ~ 26.4V | |
| | VOLTAGE TOLERANCE <small>Note.3</small> | ±2.0% | ±8.0% | ±2.0% | ±8.0% | ±1.0% | ±6.0% |
| | LINE REGULATION <small>Note.4</small> | ±0.5% | ±1.0% | ±0.5% | ±1.0% | ±0.5% | ±1.0% |
| | LOAD REGULATION <small>Note.5</small> | ±1.0% | ±5.0% | ±1.0% | ±5.0% | ±1.0% | ±5.0% |
| SETUP, RISE TIME | 500ms, 20ms/230VAC | | 1200ms, 30ms/115VAC at full load | | | | |
| HOLD UP TIME (Typ.) | 25ms/230VAC | | 30ms/115VAC at full load | | | | |
| INPUT | VOLTAGE RANGE | 88 ~ 132VAC / 176 ~ 264VAC selected by switch | | 248 ~ 373VDC (Withstand 300VAC surge for 5sec. Without damage) | | | |
| | FREQUENCY RANGE | 47 ~ 63Hz | | | | | |
| | EFFICIENCY (Typ.) | 85% | | 86% | | 86% | |
| | AC CURRENT (Typ.) | 3A/115VAC | | 2A/230VAC | | | |
| | INRUSH CURRENT (Typ.) | COLD START 50A/230VAC | | | | | |
| LEAKAGE CURRENT | <2mA / 240VAC | | | | | | |
| PROTECTION | OVERLOAD | 110 ~ 150% rated output power Protection type : Hiccup mode, recovers automatically after fault condition is removed | | | | | |
| | OVER VOLTAGE | CH1: 13.8 ~ 16.2V | | CH1: 13.8 ~ 16.2V | | CH1: 27.6 ~ 32.4V | |
| ENVIRONMENT | WORKING TEMP. | -25 ~ +70°C (Refer to "Derating Curve") | | | | | |
| | WORKING HUMIDITY | 20 ~ 90% RH non-condensing | | | | | |
| | STORAGE TEMP., HUMIDITY | -40 ~ +85°C, 10 ~ 95% RH | | | | | |
| | TEMP. COEFFICIENT | ±0.03%/°C (0 ~ 50°C) on CH1 output | | | | | |
| | VIBRATION | 10 ~ 500Hz, 5G 10min./1cycle, period for 60min. each along X, Y, Z axes | | | | | |
| SAFETY & EMC (Note 7) | SAFETY STANDARDS | UL62368-1, TUV BS EN/EN62368-1, IS 13252(Part 1)(only for RD-125-1224), EAC TP TC 004 approved | | | | | |
| | WITHSTAND VOLTAGE | I/P-O/P:3KVAC I/P-FG:2KVAC O/P-FG:0.5KVAC | | | | | |
| | ISOLATION RESISTANCE | I/P-O/P, I/P-FG, O/P-FG:100M Ohms / 500VDC / 25°C / 70% RH | | | | | |
| | EMC EMISSION | Compliance to BS EN/EN55032 (CISPR32) Class B, BS EN/EN61000-3-2,-3, EAC TP TC 020 | | | | | |
| OTHERS | EMC IMMUNITY | Compliance to BS EN/EN61000-4-2,3,4,5,6,8,11, BS EN/EN55035, BS EN/EN61000-6-2 (BS EN/EN50082-2), heavy industry level, EAC TP TC 020 | | | | | |
| | MTBF | 2755.4K hrs min. Telcordia SR-332 (Bellcore) ; 425.8K hrs min. MIL-HDBK-217F (25°C) | | | | | |
| | DIMENSION | 199*98*38mm (L*W*H) | | | | | |
| NOTE | PACKING | 0.7Kg; 20pcs/15Kg/0.85CUFT | | | | | |
| | | 1. All parameters NOT specially mentioned are measured at 230VAC input, rated load and 25°C of ambient temperature. 2. Ripple & noise are measured at 20MHz of bandwidth by using a 12" twisted pair-wire terminated with a 0.1uf & 47uf parallel capacitor. 3. Tolerance : includes set up tolerance, line regulation and load regulation.(In order to meet tolerance, it is recommended that CH1 load > 5% rated current.) 4. Line regulation is measured from low line to high line at rated load. 5. Load regulation is measured from 20% to 100% rated load, and other output at 60% rated load. 6. Each output can work within current range. But total output power can't exceed rated output power. 7. The power supply is considered a component which will be installed into a final equipment. All the EMC tests are been executed by mounting the unit on a 360mm*360mm metal plate with 1mm of thickness. The final equipment must be re-confirmed that it still meets EMC directives. For guidance on how to perform these EMC tests, please refer to "EMI testing of component power supplies." (as available on http://www.meanwell.com) 8. Length of set up time is measured at cold first start. Turning ON/OFF the power supply very quickly may lead to increase of the set up time. 9. The ambient temperature derating of 3.5°C/1000m with fanless models and of 5°C/1000m with fan models for operating altitude higher than 2000m(6500ft). ※ Product Liability Disclaimer : For detailed information, please refer to https://www.meanwell.com/serviceDisclaimer.aspx | | | | | |



125W Dual Output Switching Power Supply

RD-125 series



■ Features :

- Protections: Short circuit/Overload/Over voltage
- Cooling by free air convection
- LED indicator for power on
- 100% full load burn-in test
- All using 105°C long life electrolytic capacitors
- Withstand 300VAC surge input for 5 second
- High operating temperature up to 70°C
- Withstand 5G vibration test
- High efficiency, long life and high reliability
- 3 years warranty



■ GTIN CODE

MW Search: <https://www.meanwell.com/serviceGTIN.aspx>

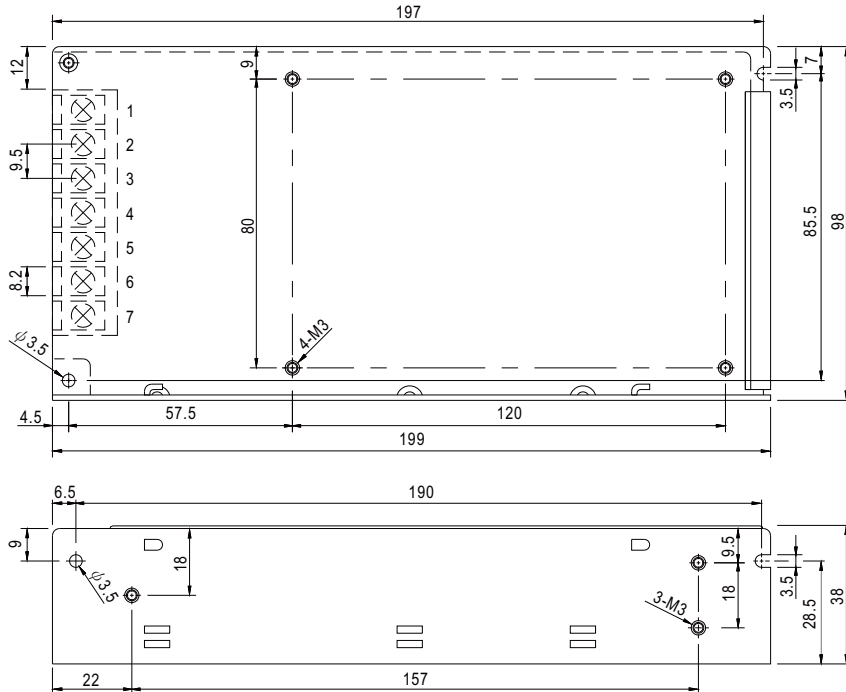


SPECIFICATION

| MODEL | RD-125-2412 | | RD-125-4812 | | RD-125-4824 | | |
|-----------------------|---|--|----------------------------------|--|-------------|-------------------|----------|
| OUTPUT | OUTPUT NUMBER | CH1 | CH2 | CH1 | CH2 | CH1 | CH2 |
| | DC VOLTAGE | 24V | 12V | 48V | 12V | 48V | 24V |
| | RATED CURRENT | 3.7A | 3.7A | 2.3A | 2.3A | 2A | 2A |
| | CURRENT RANGE <small>Note.3</small> | 0 ~ 5A | 0 ~ 7A | 0 ~ 2.5A | 0 ~ 7A | 0 ~ 2.5A | 0 ~ 4A |
| | RATED POWER <small>Note.6</small> | 133.2W | | 138W | 144W | | |
| | RIPPLE & NOISE (max.) <small>Note.2</small> | 200mVp-p | 120mVp-p | 240mVp-p | 120mVp-p | 240mVp-p | 240mVp-p |
| | VOLTAGE ADJ. RANGE | CH1: 22.8 ~ 26.4V | | CH1: 45.6 ~ 52.8V | | CH1: 45.6 ~ 52.8V | |
| | VOLTAGE TOLERANCE <small>Note.3</small> | ±2.0% | ±10% | ±2.0% | ±10% | ±1.0% | ±8.0% |
| | LINE REGULATION <small>Note.4</small> | ±0.5% | ±1.0% | ±0.5% | ±1.0% | ±0.5% | ±1.0% |
| | LOAD REGULATION <small>Note.5</small> | ±1.0% | ±5.0% | ±1.0% | ±5.0% | ±1.0% | ±5.0% |
| SETUP, RISE TIME | 500ms, 20ms/230VAC | | 1200ms, 30ms/115VAC at full load | | | | |
| HOLD UP TIME (Typ.) | 25ms/230VAC | | 30ms/115VAC at full load | | | | |
| INPUT | VOLTAGE RANGE | 88 ~ 132VAC / 176 ~ 264VAC selected by switch | | 248 ~ 373VDC (Withstand 300VAC surge for 5sec. Without damage) | | | |
| | FREQUENCY RANGE | 47 ~ 63Hz | | | | | |
| | EFFICIENCY (Typ.) | 85% | | 86% | | 86% | |
| | AC CURRENT (Typ.) | 3A/115VAC | | 2A/230VAC | | | |
| | INRUSH CURRENT (Typ.) | COLD START 50A/230VAC | | | | | |
| LEAKAGE CURRENT | <2mA / 240VAC | | | | | | |
| PROTECTION | OVERLOAD | 110 ~ 150% rated output power Protection type : Hiccup mode, recovers automatically after fault condition is removed | | | | | |
| | OVER VOLTAGE | CH1: 27.6 ~ 32.4V | | CH1: 55.2 ~ 64.8V | | CH1: 55.2 ~ 64.8V | |
| ENVIRONMENT | WORKING TEMP. | -25 ~ +70°C (Refer to "Derating Curve") | | | | | |
| | WORKING HUMIDITY | 20 ~ 90% RH non-condensing | | | | | |
| | STORAGE TEMP., HUMIDITY | -40 ~ +85°C, 10 ~ 95% RH | | | | | |
| | TEMP. COEFFICIENT | ±0.03%/°C (0 ~ 50°C) on CH1 output | | | | | |
| | VIBRATION | 10 ~ 500Hz, 5G 10min./1cycle, period for 60min. each along X, Y, Z axes | | | | | |
| SAFETY & EMC (Note 7) | SAFETY STANDARDS | UL62368-1, TUV BS EN/EN62368-1, IS 13252(Part 1)(only for RD-125-2412), EAC TP TC 004 approved | | | | | |
| | WITHSTAND VOLTAGE | I/P-O/P:3KVAC I/P-FG:2KVAC O/P-FG:0.5KVAC | | | | | |
| | ISOLATION RESISTANCE | I/P-O/P, I/P-FG, O/P-FG:100M Ohms / 500VDC / 25°C / 70% RH | | | | | |
| | EMC EMISSION | Compliance to BS EN/EN55032 (CISPR32) Class B, BS EN/EN61000-3-2,-3, EAC TP TC 020 | | | | | |
| OTHERS | EMC IMMUNITY | Compliance to BS EN/EN61000-4-2,3,4,5,6,8,11, BS EN/EN55035, BS EN/EN61000-6-2 (BS EN/EN50082-2), heavy industry level, EAC TP TC 020 | | | | | |
| | MTBF | 2755.4K hrs min. Telcordia SR-332 (Bellcore) ; 425.8K hrs min. MIL-HDBK-217F (25°C) | | | | | |
| | DIMENSION | 199*98*38mm (L*W*H) | | | | | |
| NOTE | PACKING | 0.7Kg; 20pcs/15Kg/0.85CUFT | | | | | |
| | | 1. All parameters NOT specially mentioned are measured at 230VAC input, rated load and 25°C of ambient temperature. 2. Ripple & noise are measured at 20MHz of bandwidth by using a 12" twisted pair-wire terminated with a 0.1uf & 47uf parallel capacitor. 3. Tolerance : includes set up tolerance, line regulation and load regulation.(In order to meet tolerance, it is recommended that CH1 load > 15% rated current.) 4. Line regulation is measured from low line to high line at rated load. 5. Load regulation is measured from 20% to 100% rated load, and other output at 60% rated load. 6. Each output can work within current range. But total output power can't exceed rated output power. 7. The power supply is considered a component which will be installed into a final equipment. All the EMC tests are been executed by mounting the unit on a 360mm*360mm metal plate with 1mm of thickness. The final equipment must be re-confirmed that it still meets EMC directives. For guidance on how to perform these EMC tests, please refer to "EMI testing of component power supplies." (as available on http://www.meanwell.com) 8. Length of set up time is measured at cold first start. Turning ON/OFF the power supply very quickly may lead to increase of the set up time. 9. The ambient temperature derating of 3.5°C/1000m with fanless models and of 5°C/1000m with fan models for operating altitude higher than 2000m(6500ft). ※ Product Liability Disclaimer : For detailed information, please refer to https://www.meanwell.com/serviceDisclaimer.aspx | | | | | |

■ Mechanical Specification

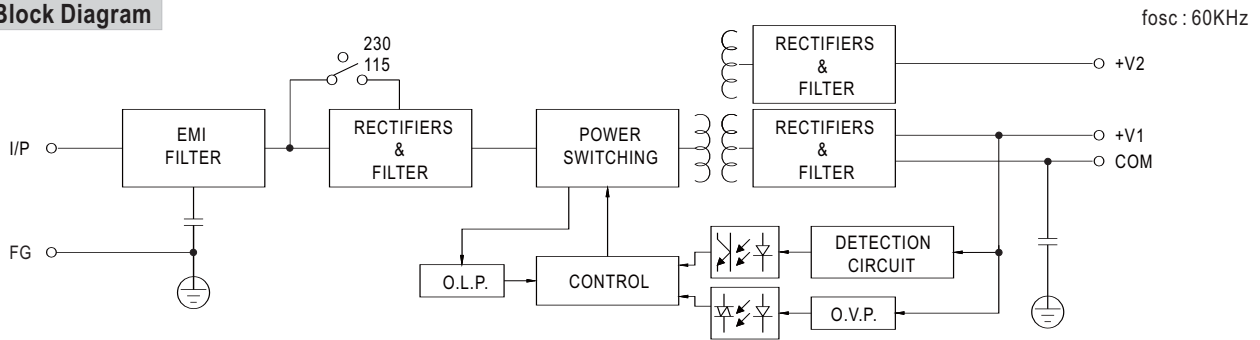
Case No. 902A Unit:mm



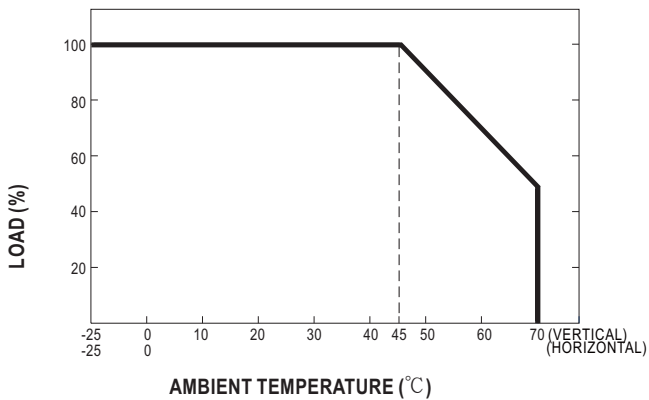
Terminal Pin No. Assignment

| Pin No. | Assignment | Pin No. | Assignment |
|---------|------------|---------|---------------|
| 1 | AC/L | 4,6 | DC OUTPUT COM |
| 2 | AC/N | 5 | DC OUTPUT +V2 |
| 3 | FG \perp | 7 | DC OUTPUT +V1 |

■ Block Diagram



■ Derating Curve



■ Static Characteristics

