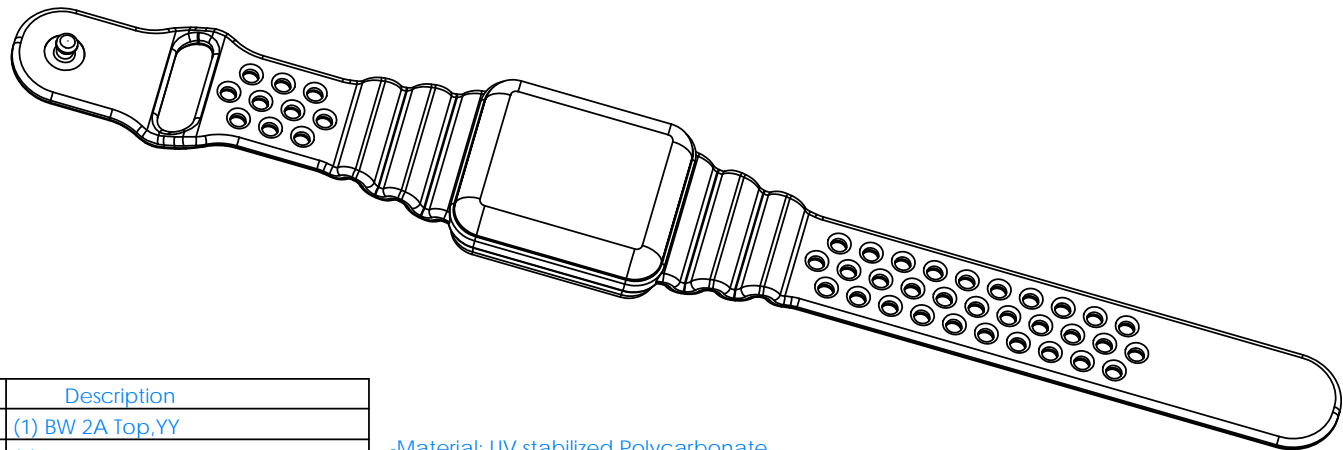
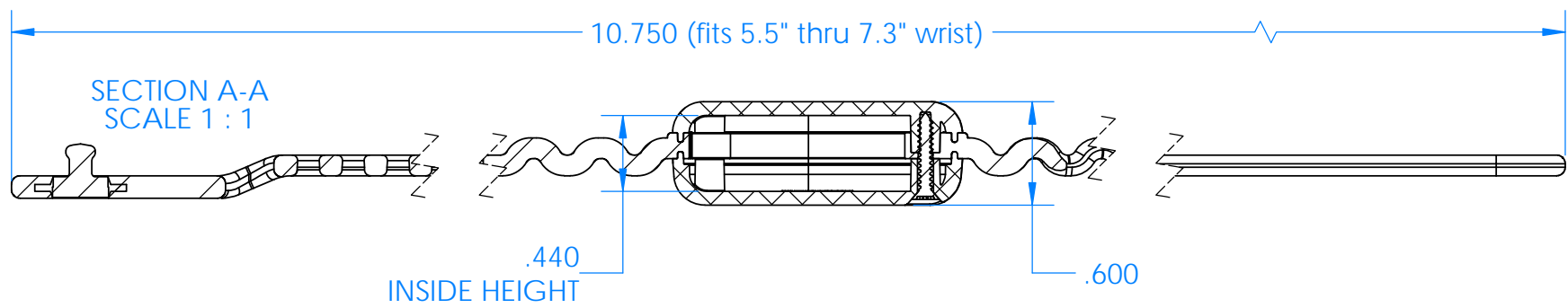
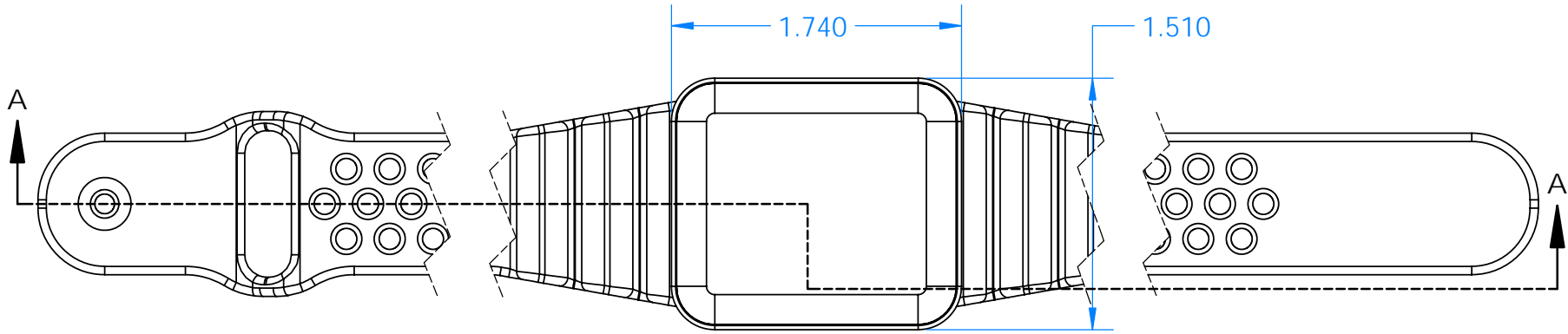


SERPAC BW23A YYASZZ

Electronic Enclosures



Color options:

YY (Enclosure Color)

BK=Black

ZZ (Strap Color)

BK=Black

GM=GunMetal

YL=Yellow

OR=Orange

NO=NeonOrange

NG=NeonGreen

BL=Blue

PN	Description
5510A,YY	(1) BW 2A Top,YY
5513A,YY	(1) BW 2B Bottom,YY
5517A,ZZ	(1) BW 2tS-Small Comolded Strap,ZZ
6003	(4) #2 X 1/2" PH HD screw

-Material: UV stabilized Polycarbonate
Flammability UL 94 V-0

-Watertight enclosure meets or
exceed Nema 4 and or IP67.

ALL DIMENSIONS ARE ± .010"

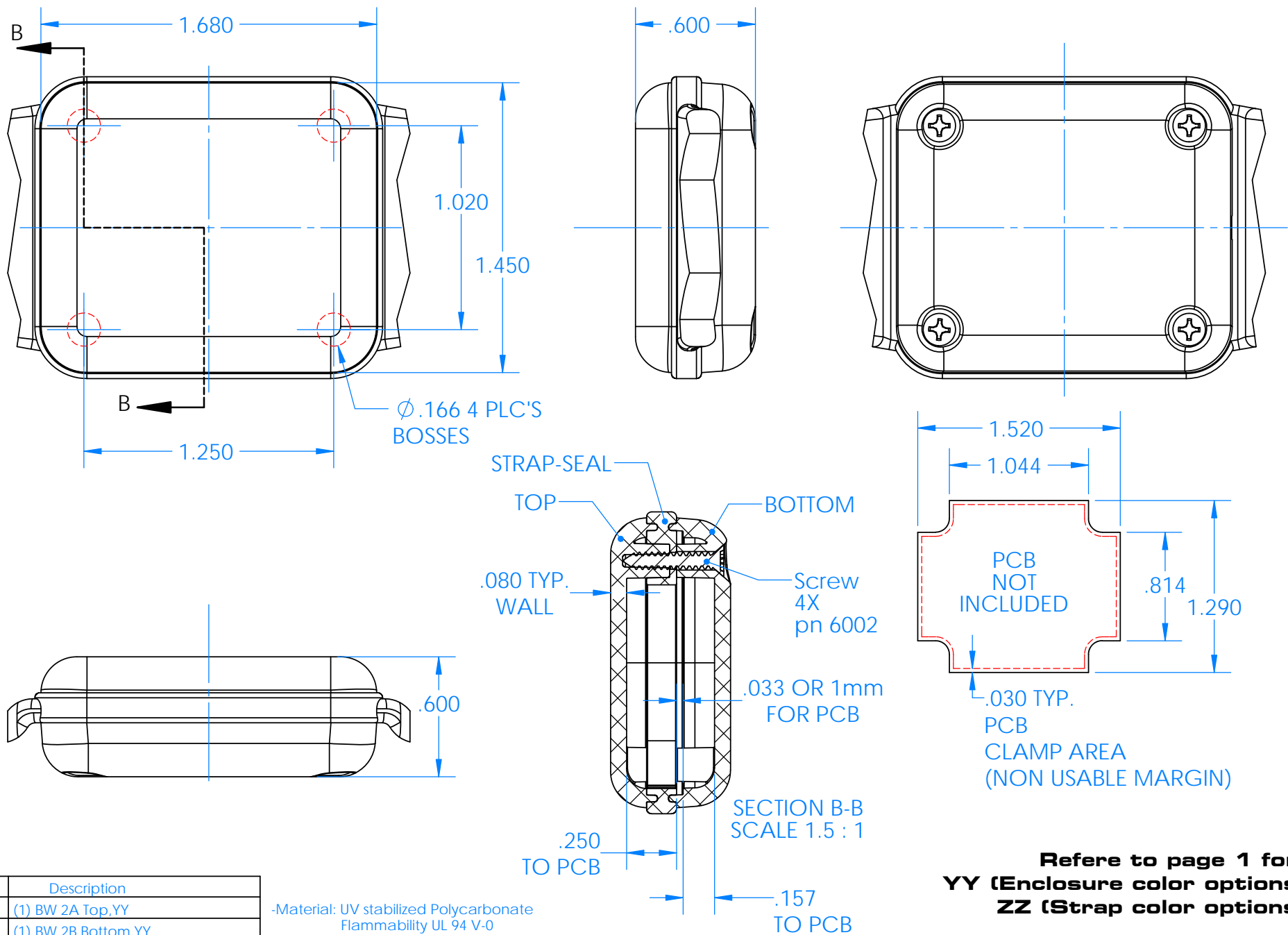
7/17/2019

2009 Wright Ave. La Verne, CA 91750

Ph. (626) 331-0517 Fx. (626) 331-8584 serpac.com

SERPAC BW23AYYASZZ

Electronic Enclosures



PN	Description
5510A,YY	(1) BW 2A Top,YY
5513A,YY	(1) BW 2B Bottom,YY
5517A,ZZ	(1) BW 2tS-Small Comolded Strap,ZZ
6003	(4) #2 X 1/2" PH HD screw

-Material: UV stabilized Polycarbonate
Flammability UL 94 V-0
-Watertight enclosure meets or exceeds Nema 4 and or IP67.

Refer to page 1 for:
YY (Enclosure color options)
ZZ (Strap color options)

ALL DIMENSIONS ARE $\pm .010"$ 7/17/2019
2009 Wright Ave. La Verne, CA 91750
Ph. (626) 331-0517 Fx. (626) 331-8584 serpac.com