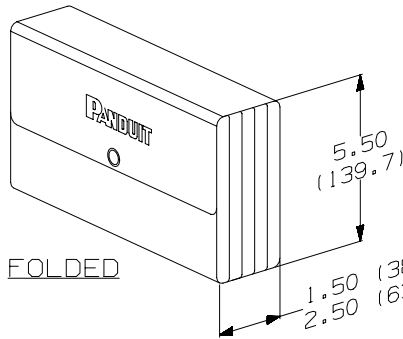


EYELET FOR SUSPENSION FROM NAIL, SCREW OR CABLE TIE.

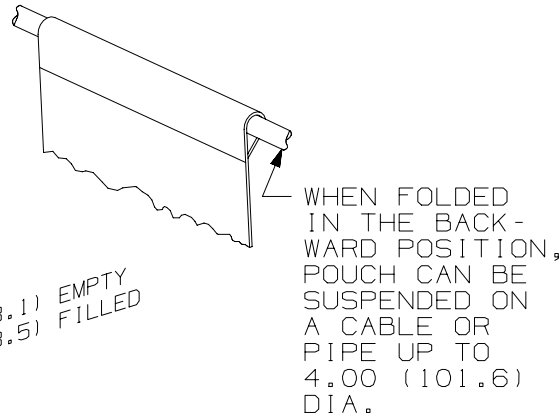
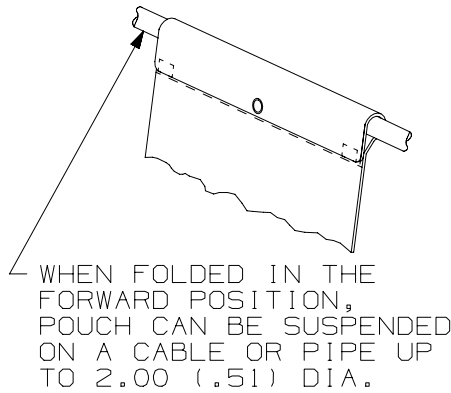
AUXILIARY POCKET FOR EXTRA CABLE TIES OR TOOLS

NYLON COLOR NO. SUFFIX



NOTES:

- 1) POUCH IS AVAILABLE EMPTY, PPC25X50, OR FILLED PPC25X50F PER THIS DRAWING.
- 2) POUCH IS MADE OF NYLON/VINYL AND BINDING MADE OF COLD RESISTANT NYLON ABLE TO WITHSTAND HANDLING TEMPERATURES OF -20°F OR ABOVE.



STRIPE COLOR	CABLE TIE COLOR	COLOR NO. SUFFIX
WHITE	BLUE	6-10
	ORANGE	3-10
	GREEN	5-10
	BROWN	1-10
	SLATE	8-10
RED	BLUE	6-2
	ORANGE	3-2
	GREEN	5-2
	BROWN	1-2
	SLATE	8-2
BLACK	BLUE	6-0
	ORANGE	3-0
	GREEN	5-0
	BROWN	1-0
	SLATE	8-0
YELLOW	BLUE	6-4
	ORANGE	3-4
	GREEN	5-4
	BROWN	1-4
	SLATE	8-4
VIOLET	BLUE	6-7
	ORANGE	3-7
	GREEN	5-7
	BROWN	1-7
NONE	RED	2

UNFOLDED

REV	DATE	BY	CHK	APR	DESCRIPTION	ECN
05	4/10/15	BWG	MPH	JADE	UPDATED LOGO AND TITLE BORDER.	SS-19095/05

TITLE		PPC-PAN POUCH TM NYLON/VINYL CABLE TIE HOLDER	
CUSTOMER DRAWING			
ITEM REVISION NAME		SS_19095_03/AC	
DATASET FILE NAME		SS-19095_03/A_DC_SS-19095_REV05	
UNLESS OTHERWISE SPECIFIED, DIMENSIONAL TOLERANCES ARE: IN (mm)		MATERIAL: SEE NOTE 2	
.X ± .XX ±		.XXX ± ANGLES ±	
THIRD ANGLE PROJECTION		DRAWING NUMBER: SS-19095	
DRAWN BY	DATE	CHK	SCALE
CEW	7-3-84	AJ CEPKO	NONE
SHT 1 OF 1			SIZE A