

## M23 female 90° with cable

PUR 8x0.34+3x0.75 gy drag ch. 25m

Female 90°

M23, 12-pole

11-pole used

for 8-way distribution box, 4-pole

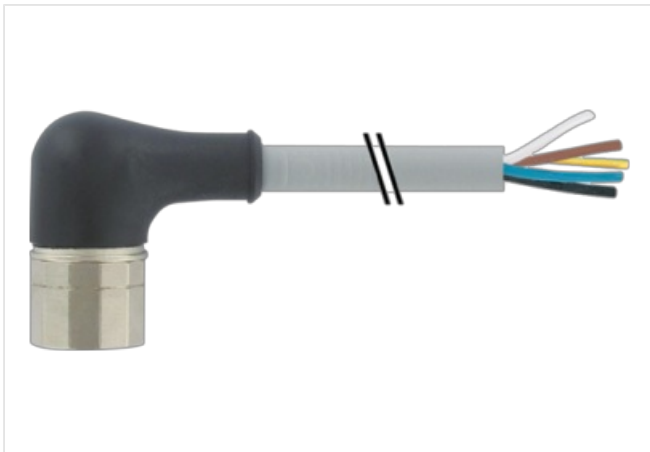
Further cable lengths on request.

Plastic housings with good resistance against chemicals and oils.

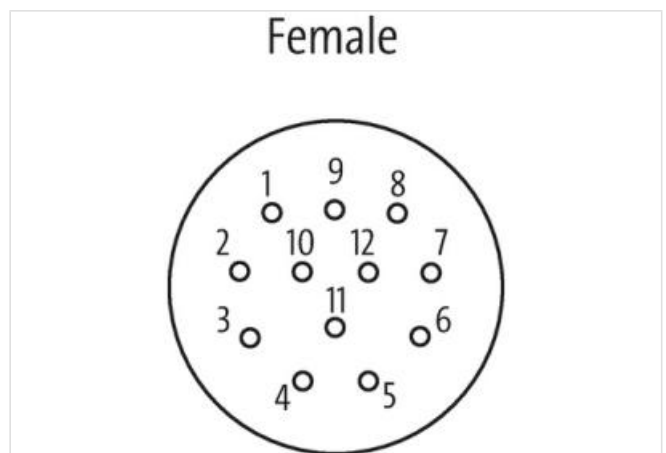
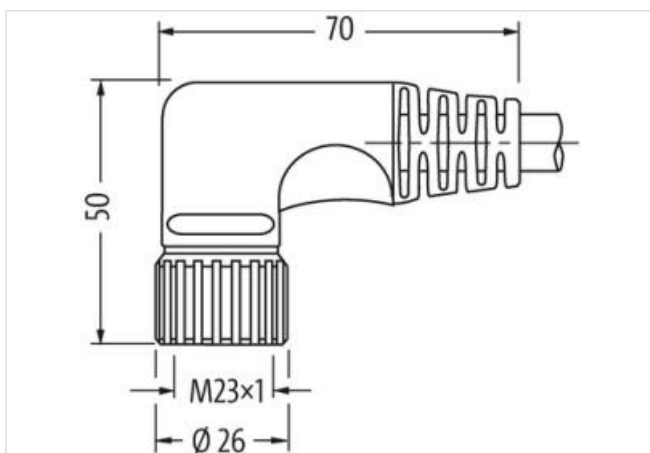
The resistance to aggressive media should be individually tested for your application. Further details on request.

### [Link to Product](#)

#### Illustration



1	white
2	green
3	yellow
4	gray
5	pink
6	red
7	black
8	violet
11	brown 0.75 mm <sup>2</sup>
9	blue 0.75 mm <sup>2</sup>
12	green/yellow 0.75 mm <sup>2</sup>



Product may differ from Image

Cable length 25 m

#### Technical Data

Operating voltage max. 125 V AC/DC

Operating current per contact max. 7.5 A

Locking of ports Screw thread (M23×1 mm) recommended torque 2.0 Nm, self-securing

Protection IP65 and IP67 when plugged and screwed down (EN 60529)

Material PUR

Locking material	Brass, nickel plated
Compression gland	M23 (SW27)
<b>General data</b>	
Temperature range	-25...+85 °C, depending on cable quality
<b>Cable</b>	
No./diameter of wires	8× 0.34 + 3× 0.75 mm <sup>2</sup>
Wire isolation	PVC
C-track properties	2 Mio.
Outer Ø	8.1 mm ±5%
Cable identification	362
Cable Type	2 (PUR/PVC)
Approval (cable)	UL (AWM-Style 20549/1731), CE conform
Cable weight [g/m]	115,5 g
Material wire	Cu wire, bare
Resistor (core)	max. 57 Ω/km (0.34 mm <sup>2</sup> ), max. 26 Ω/km (0.75 mm <sup>2</sup> ); (20 °C)
Single wire Ø (core)	0.15 mm (0.34 mm <sup>2</sup> ); 0.2 mm (0.75 mm <sup>2</sup> )
Construction (core)	19× 0.15 mm (0.34 mm <sup>2</sup> ); 24× 0.2 mm (0.75 mm <sup>2</sup> ); (multi-strand wire class 5)
Diameter (core)	8× 0.34 + 3× 0.75 mm <sup>2</sup>
AWG	similar to AWG 22 (0.34 mm <sup>2</sup> ); similar to AWG 18 (0.75 mm <sup>2</sup> )
Material wire isolation	PVC
Material property wire insulation	CFC-, cadmium-, silicone- and lead-free
Shore hardness wire isolation	43 ±5 D
Wire-Ø incl. isolation	1.3 mm ±5% (0.34 mm <sup>2</sup> ); 1.8 mm ±5% (0.75 mm <sup>2</sup> )
Color/numbering of wires	wh, vi, gn, ye, gr, pk, rd, bk+br, bl, gnye longitudinally striped
Shield	no
Material jacket	PUR/PVC
Outer-Ø (jacket)	8.1 mm ±5%
Color jacket	gray
Jacket Color	gray
chemical resistance	good resistance to oil, gasoline and chemicals (EN 60811-404)
Nominal voltage	U0/U 300/300 V AC
Test voltage	2000 V AC
Current load capacity	to DIN VDE 0298-4
Temperature range (fixed)	-30...+80 °C
Temperature range (fixed)	-30...+80 °C
Temperature range (mobile)	-5...+70 °C
Temperature range (mobile)	-5...+70 °C
Bend radius (fixed)	5× outer Ø
Bend radius (moving)	10× outer Ø
Bend radius (moving)	10× outer Ø
No. of bending cycles (C-track)	max. 2 Mio. (25 °C)
Travel speed (C-track)	max. 2 m/s
Acceleration (C-track)	max. 10 m/s <sup>2</sup>
Material jacket	PUR/PVC (UL/CSA)