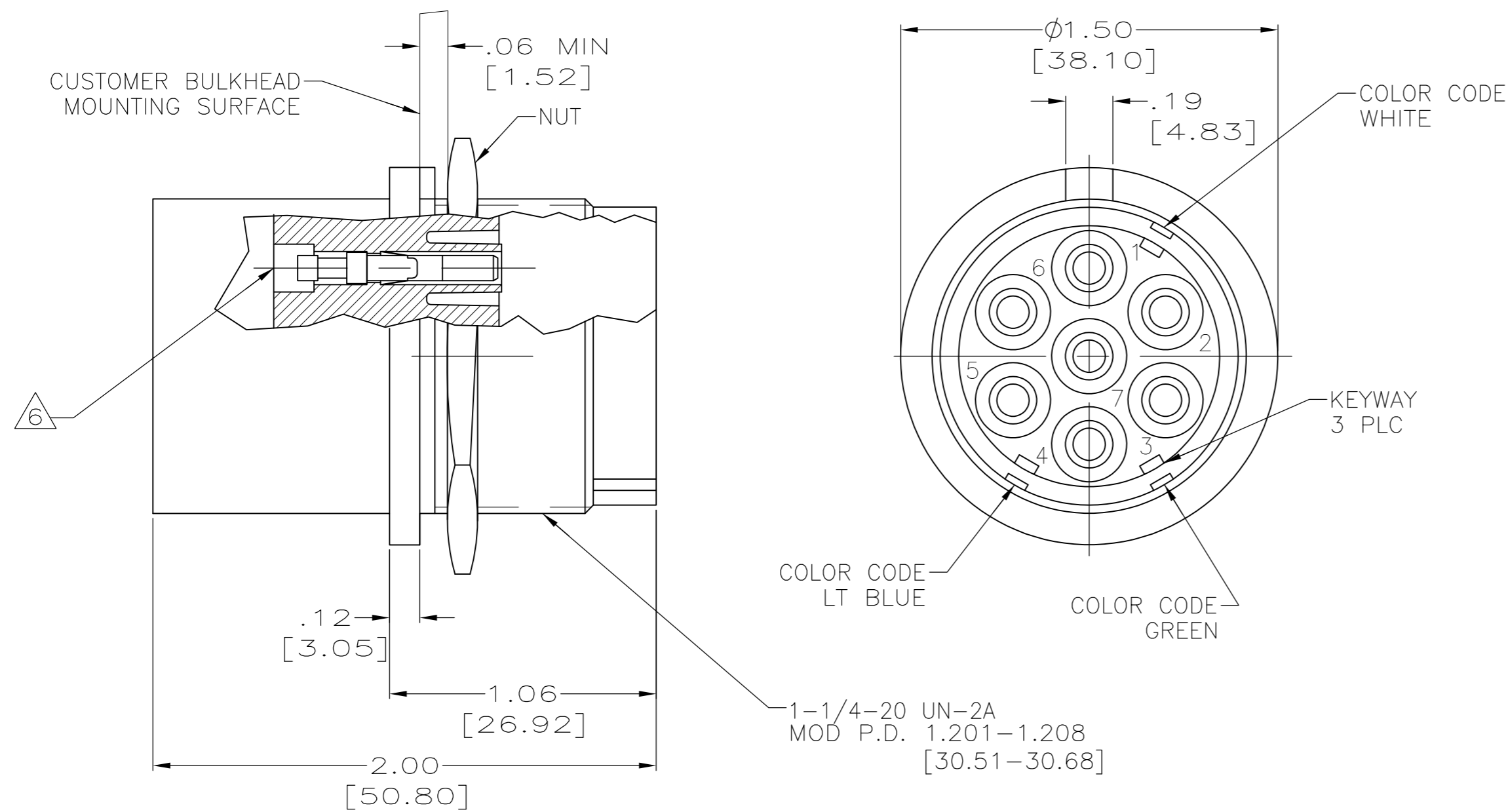
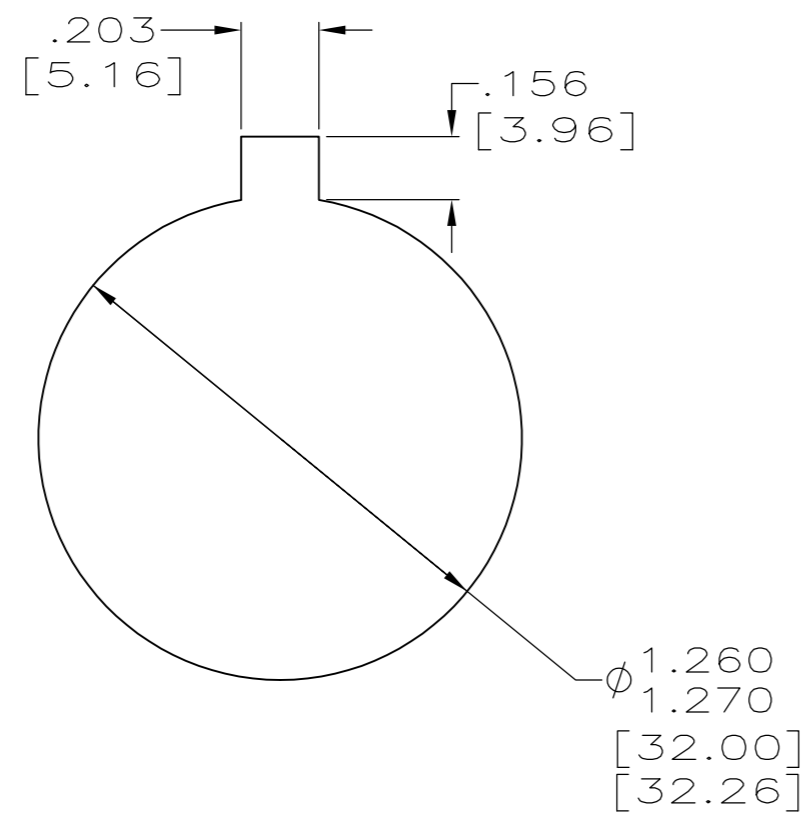


THIS DRAWING IS UNPUBLISHED. RELEASED FOR PUBLICATION
 © COPYRIGHT - By - ALL RIGHTS RESERVED.

| LOC | | DIST | | REVISIONS | | | |
|-----|-----|---------------------------|---------|-----------|------|--|--|
| P | LTR | DESCRIPTION | DATE | DWN | APVD | | |
| | H2 | REVISED PER ECO-15-013197 | 16OCT15 | KG | DM | | |



- SEVEN CONTACT CAVITIES ACCEPT TYPE II, SIZE 16 SOCKETS AND COAX CONTACTS AS SHOWN IN TABLE. EXTRACTION TOOL PART NUMBER IS 861751-1.
 - TYPE II SOCKETS TO ACCEPT 22 AWG - 24 AWG STRANDED WIRE. SOCKETS GOLD PLATED PER MIL-G-45204 TYPE II .000050 MIN THK.
 - RECEPTACLE WILL WITHSTAND WITHOUT BREAKDOWN, 27 KVDC PIN TO PIN & 27 KVDC PIN TO GRD WHEN MATED WITH 861648-1.
 - TYPE II SOCKETS TO ACCEPT ONE 16 AWG OR ONE 18 AWG STRANDED WIRE.
 - TYPE II SOCKETS TO ACCEPT 14 AWG STRANDED WIRE.
 - CUSTOMER TO ATTACH LEADS & PROTECT AGAINST ARC OVER & BREAKDOWN BY POTTING. SOCKETS TO BE COATED WITH RTV108
- △ CRIMP CONTACTS PER TE 408-7516 AS SPECIFIED FOR EACH CONTACT PART NUMBER.



RECOMMENDED PANEL CUTOUT

| CRIMP CONTACT PART NUMBER | COLOR CODING | WIRE SIZE RANGE | PART NUMBER |
|---------------------------|--------------|-----------------|-------------|
| 201568-1 | NO | 14 | 861647-9 |
| 200333-1 | NO | 16,18 | 861647-8 |
| 201328-1 | NO | 20,22,24 | 861647-7 |
| - | YES | NO SOCKETS | 861647-6 |
| - | YES | 14 | 861647-5 |
| - | YES | 20-24 & COAX | 861647-4 |
| 201328-1 | YES | 20-24 & COAX | 861647-3 |
| 200333-1 | YES | 16,18 | 861647-2 |
| 201328-1 | YES | 20,22,24 | 861647-1 |

| | | | | |
|----------------------------------------|--------------------|--------------------------|----------------------------------------------|-----------------|
| THIS DRAWING IS A CONTROLLED DOCUMENT. | | DWN T. THOMPSON 03-22-95 | STE TE Connectivity | |
| DIMENSIONS: INCHES [mm] | | CHK D. EABY 04-19-95 | | |
| TOLERANCES UNLESS OTHERWISE SPECIFIED: | | APVD D. EABY 04-19-95 | NAME RECEPTACLE, FLANGED H.V. 7 CONTACT, LGH | |
| 0 PLC ± - | 1 PLC ± - | PRODUCT SPEC | SIZE A2 | CAGE CODE 00779 |
| 2 PLC ± .04[1.02] | 3 PLC ± .015[0.38] | APPLICATION SPEC | DRAWING NO C=861647 | RESTRICTED TO - |
| 4 PLC ± - | ANGLES ± - | | SCALE 2:1 | SHEET 1 of 1 |
| MATERIAL MOLDED PLASTIC | FINISH BLACK | WEIGHT - | CUSTOMER DRAWING | REV H2 |