

1-331417-1 ✓ ACTIVE

SOLISTRAND

TE Internal #: 1-331417-1

Rings & Spades, Ring Tongue, 6AWG Wire Size, 10.5 – 16.8mm²
Wire Size, 20800 – 33100CMA Wire Size, 3/8, Stud Diameter 9.91
mm [.39 in]

[View on TE.com >](#)



Terminals & Splices > Rings & Spades



Terminal & Splice Type: **Ring Tongue**

Wire Size: **20800 – 33100 CMA**

Stud Size: **3/8**

Features

Product Type Features

Terminal Features	Sheared
Shape Description	RING-049
Stud Size	3/8
Barrel Type	Closed Barrel
Sealable	No
Insulated	No
Wire/Cable Type	Regular Wire
Support Style	Non - Insulation Support

Configuration Features

Number of Holes	1
Terminal Angle	Straight

Body Features

Inspection Slot	No
Weight per Piece	14.648 g
Plating Material	Copper, Tin

Contact Features

Terminal & Splice Type	Ring Tongue
Terminal Orientation	Offset

Mechanical Attachment



Wire Insulation Support	Without
-------------------------	---------

Dimensions

Wire Size	20800 – 33100 CMA
Stud Diameter	9.91 mm [.39 in]
Tongue Thickness	.79 mm [.031 in]
Overall Length	35.94 mm [1.514 in]
Barrel Inside Diameter	5.893 mm [.232 in]

Usage Conditions

Operating Temperature Range	170 °C [338 °F]
-----------------------------	-----------------

Operation/Application

Heavy Duty	Yes
------------	-----

Industry Standards

Government Qualified	No
----------------------	----

Packaging Features

Packaging Quantity	100
Packaging Method	Loose Piece

Product Compliance

[For compliance documentation, visit the product page on TE.com>](#)

EU RoHS Directive 2011/65/EU	Compliant
EU ELV Directive 2000/53/EC	Compliant
China RoHS 2 Directive MIIT Order No 32, 2016	No Restricted Materials Above Threshold
EU REACH Regulation (EC) No. 1907/2006	Current ECHA Candidate List: JUN 2020 (209) Candidate List Declared Against: JAN 2020 (205) Does not contain REACH SVHC
Halogen Content	Low Halogen - Br, Cl, F, I < 900 ppm per homogenous material. Also BFR/CFR/PVC Free
Solder Process Capability	Not applicable for solder process capability

Product Compliance Disclaimer

This information is provided based on reasonable inquiry of our suppliers and represents our current actual knowledge based on the information they provided. This information is subject to change. The part numbers that TE has identified as EU RoHS compliant have a maximum concentration of 0.1% by weight in homogenous materials for lead, hexavalent chromium, mercury, PBB, PBDE, DBP, BBP, DEHP, DIBP, and 0.01% for cadmium, or qualify for an exemption to these

limits as defined in the Annexes of Directive 2011/65/EU (RoHS2). Finished electrical and electronic equipment products will be CE marked as required by Directive 2011/65/EU. Components may not be CE marked. Additionally, the part numbers that TE has identified as EU ELV compliant have a maximum concentration of 0.1% by weight in homogenous materials for lead, hexavalent chromium, and mercury, and 0.01% for cadmium, or qualify for an exemption to these limits as defined in the Annexes of Directive 2000/53/EC (ELV). Regarding the REACH Regulation, the information TE provides on SVHC in articles for this part number is based on the latest European Chemicals Agency (ECHA) 'Guidance on requirements for substances in articles' posted at this URL: <https://echa.europa.eu/guidance-documents/guidance-on-reach>

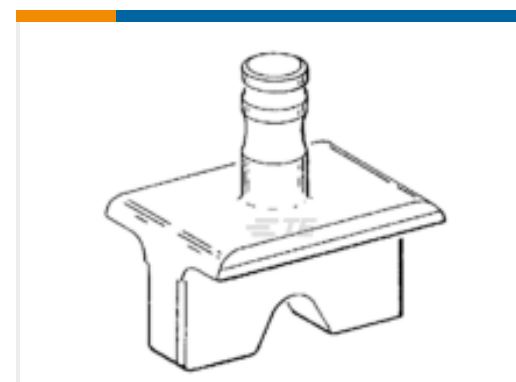
Compatible Parts



TE Model / Part # 1490414-2
HYP10 SOLIS HD 6-AWG INDENTER



TE Model / Part # 1-1490413-0
HYP10 SOLIS HD 6AWG NEST



TE Model / Part # 48129-1
HYP8 SOLIS HD 6AWG NEST

Customers Also Bought



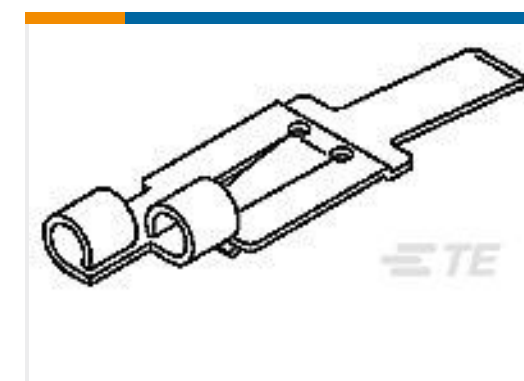
TE Model / Part #45499
HAND TOOL ASSY



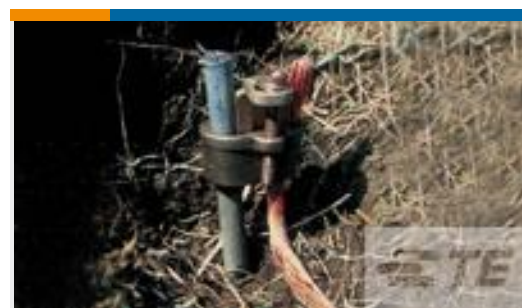
TE Model / Part #68074-1
DAHT SOLIS FLAG 20-16



TE Model / Part #68262-1
DAHT SOLIS FLAG 14-10



TE Model / Part #53889-1
FLAG RELAY, SPECIAL-RR 14-10



TE Model / Part #80408-4
SHEAR-LOK 3/4" CU CLAD #4



TE Model / Part #CB5423-000
SST-9-07/97



TE Model / Part #1-104071-7
40 SYSTEM 50 HDR SRST SHRD



TE Model / Part #1-87220-4
14 MODII HDR SRST UNSHRD .100



TE Model / Part #1532185-7
M83513/03-G11N, MCKS-N1-B-51P6Q9-18.0



TE Model / Part #5221185-3
PLUG,75 OHM,COML BNC

Documents



Product Drawings

TERMINAL,SOLIS R 6HD 3/8

English

CAD Files

3D PDF

3D

Customer View Model

[ENG_CVM_CVM_1-331417-1_E.2d_dxf.zip](#)

English

Customer View Model

[ENG_CVM_CVM_1-331417-1_E.3d_igs.zip](#)

English

Customer View Model

[ENG_CVM_CVM_1-331417-1_E.3d_stp.zip](#)

English

By downloading the CAD file I accept and agree to the [Terms and Conditions](#) of use.

Agency Approvals

UL Report

English