

LED MODULE WITH INTEGRATED LED, 24-240V AC/DC, WHITE, SPRING-TYPE TERMINAL, FOR FRONT PLATE MOUNTING



Figure similar

product brand name	SIRIUS ACT
Product designation	Commanding and signaling devices
Design of the product	LED module

General technical data:

Product component	
• diode	Yes
• lamp transformer	No
• Light source	Yes
• series resistor	No
Insulation voltage	
• Rated value	320 V
Surge voltage resistance Rated value	4 kV
Consumed current	
• maximum	20 mA
Protection class IP	
• of the enclosure	IP40
• of the terminal	IP20
Degree of pollution	3
Shock resistance	

<ul style="list-style-type: none"> • acc. to IEC 60068-2-27 • for railway applications acc. to DIN EN 61373 	Sinusoidal half-wave 50 g / 11 ms Category 1, Class B
Vibration resistance	
<ul style="list-style-type: none"> • acc. to IEC 60068-2-6 • for railway applications acc. to DIN EN 61373 	10 ... 500 Hz: 5g Category 1, Class B
Operating period typical	100 000 h
Equipment marking	
<ul style="list-style-type: none"> • acc. to DIN EN 61346-2 • acc. to DIN EN 81346-2 	P P
Relative positive tolerance of the operating voltage	20 %
Relative negative tolerance of the operating voltage	20 %

Connections/ Terminals:	
Type of electrical connection	spring-loaded terminals

Lamp:	
Type of light source	LED
Color of the light source	white

Ambient conditions:	
Ambient temperature	
<ul style="list-style-type: none"> • during operation • during storage 	-25 ... +70 °C -40 ... +80 °C

Installation/ mounting/ dimensions:	
Mounting type	
<ul style="list-style-type: none"> • of modules and accessories 	Front plate mounting
Height	36 mm
Width	9.8 mm
Depth	29.4 mm

Certificates/ approvals:		
Declaration of Conformity	other	Railway



[Bestätigungen](#)

[Bestätigungen](#)

Further information

Information- and Downloadcenter (Catalogs, Brochures,...)

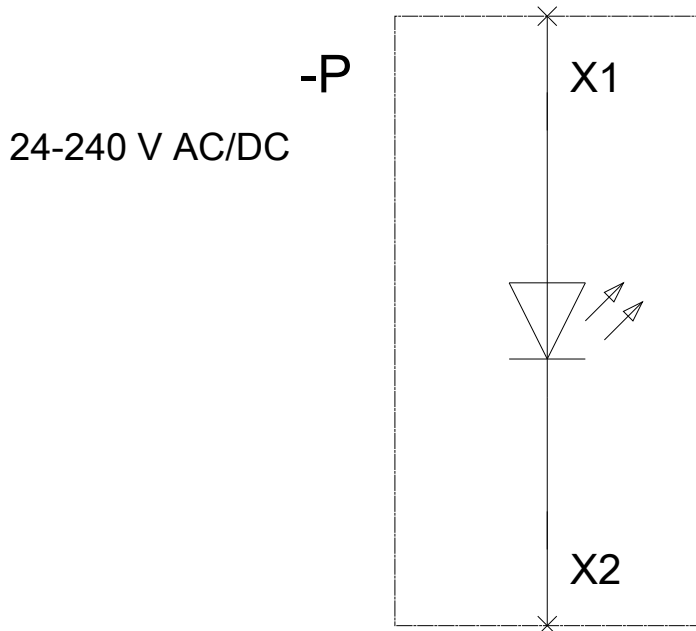
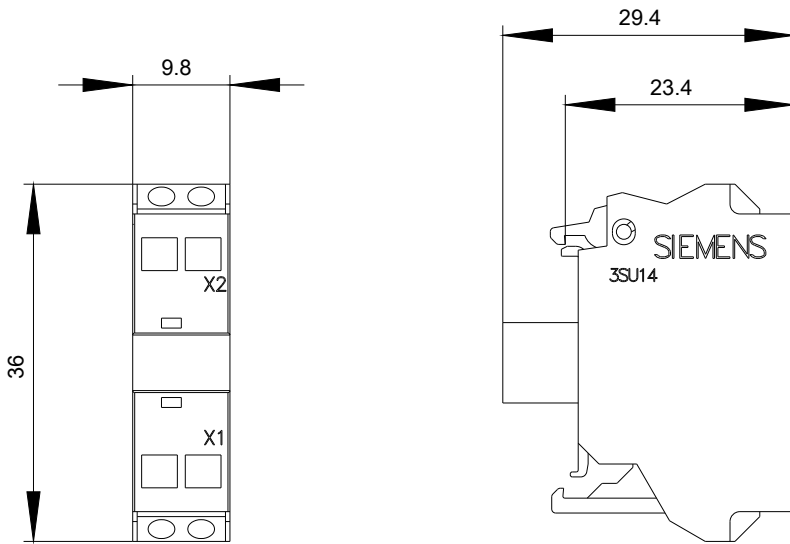
<http://www.siemens.com/industrial-controls/catalogs>

Industry Mall (Online ordering system)

<http://www.siemens.com/industrymall>

Cax online generator

<http://support.automation.siemens.com/WW/CAXorder/default.aspx?lang=en&mlfb=3SU14011BH603AA0>



last modified:

25.08.2015