

## Compact, Plastic-body Safety-door Hinge Switch Designed for Saving Space in Machines and Other Equipment

- Lineup includes three contact models with 2NC/1NO and 3NC contact forms in addition to the previous contact forms 1NC/1NO, and 2NC. Models with MBB contacts are also available.
- M12-connector models are available, saving on labor and simplifying replacement.
- Standardized gold-clad contacts provide high contact reliability. Can be used with both standard loads and microloads.

**Note:** Contact your sales representative for details on models with safety standard certification.



 Be sure to read the "Safety Precautions" on page 9 and the "Precautions for All Safety Door Switches".

## Model Number Structure

### Model Number Legend

D4NH-□□□  
1 2 3

#### 1. Conduit size

- 1: Pg13.5 (1-conduit)
- 2: G1/2 (1-conduit)
- 3: 1/2-14NPT (1-conduit)
- 4: M20 (1-conduit)
- 5: Pg13.5 (2-conduit)
- 6: G1/2 (2-conduit)
- 7: 1/2-14NPT (2-conduit)
- 8: M20 (2-conduit)
- 9: M12 connector (1-conduit)

#### 2. Built-in Switch

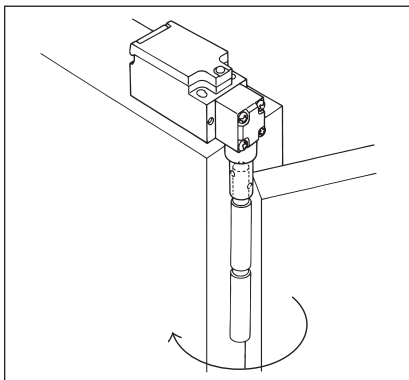
- A: 1NC/1NO (slow-action)
- B: 2NC (slow-action)
- C: 2NC/1NO (slow-action)
- D: 3NC (slow-action)
- E: 1NC/1NO (MBB contact) (slow-action)
- F: 2NC/1NO (MBB contact) (slow-action)

#### 3. Actuator

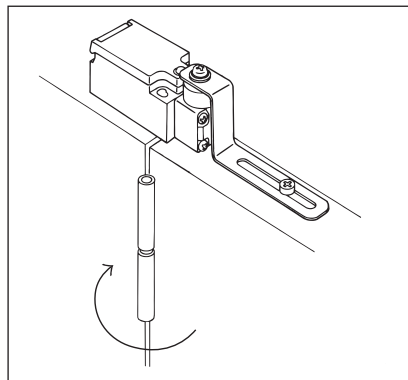
- AS: Shaft
- BC: Arm lever

## Application Examples (Protective Door Safety Measures)

### Shaft Actuator



### Arm Lever Actuator



## Ordering Information

### List of Models

#### Switches

■ : Models with certified direct opening contacts.

Consult with your OMRON representative when ordering any models that are not listed in this table.

| Actuator  | Conduit size |               | Built-in switch mechanism |                      |                          |
|-----------|--------------|---------------|---------------------------|----------------------|--------------------------|
|           |              |               | 1NC/1NO<br>(Slow-action)  | 2NC<br>(Slow-action) | 2NC/1NO<br>(Slow-action) |
| Shaft     | 1-conduit    | Pg13.5        | D4NH-1AAS                 | D4NH-1BAS            | D4NH-1CAS                |
|           |              | G1/2          | D4NH-2AAS                 | D4NH-2BAS            | D4NH-2CAS                |
|           |              | 1/2-14NPT     | D4NH-3AAS                 | D4NH-3BAS            | D4NH-3CAS                |
|           |              | M20           | D4NH-4AAS                 | D4NH-4BAS            | D4NH-4CAS                |
|           |              | M12 connector | D4NH-9AAS                 | D4NH-9BAS            | ---                      |
|           | 2-conduit    | Pg13.5        | D4NH-5AAS                 | D4NH-5BAS            | D4NH-5CAS                |
|           |              | G1/2          | D4NH-6AAS                 | D4NH-6BAS            | D4NH-6CAS                |
|           |              | 1/2-14NPT *   | D4NH-7AAS                 | D4NH-7BAS            | D4NH-7CAS                |
|           |              | M20           | D4NH-8AAS                 | D4NH-8BAS            | D4NH-8CAS                |
|           |              |               |                           |                      |                          |
| Arm lever | 1-conduit    | Pg13.5        | D4NH-1ABC                 | D4NH-1BBC            | D4NH-1CBC                |
|           |              | G1/2          | D4NH-2ABC                 | D4NH-2BBC            | D4NH-2CBC                |
|           |              | 1/2-14NPT     | D4NH-3ABC                 | D4NH-3BBC            | D4NH-3CBC                |
|           |              | M20           | D4NH-4ABC                 | D4NH-4BBC            | D4NH-4CBC                |
|           |              | M12 connector | D4NH-9ABC                 | D4NH-9BBC            | ---                      |
|           | 2-conduit    | Pg13.5        | D4NH-5ABC                 | D4NH-5BBC            | D4NH-5CBC                |
|           |              | G1/2          | D4NH-6ABC                 | D4NH-6BBC            | D4NH-6CBC                |
|           |              | 1/2-14NPT *   | D4NH-7ABC                 | D4NH-7BBC            | D4NH-7CBC                |
|           |              | M20           | D4NH-8ABC                 | D4NH-8BBC            | D4NH-8CBC                |
|           |              |               |                           |                      |                          |

| Actuator  | Conduit size |               | Built-in switch mechanism |                              |                              |
|-----------|--------------|---------------|---------------------------|------------------------------|------------------------------|
|           |              |               | 3NC<br>(Slow-action)      | 1NC/1NO MBB<br>(Slow-action) | 2NC/1NO MBB<br>(Slow-action) |
| Shaft     | 1-conduit    | Pg13.5        | D4NH-1DAS                 | D4NH-1EAS                    | D4NH-1FAS                    |
|           |              | G1/2          | D4NH-2DAS                 | D4NH-2EAS                    | D4NH-2FAS                    |
|           |              | 1/2-14NPT     | D4NH-3DAS                 | D4NH-3EAS                    | D4NH-3FAS                    |
|           |              | M20           | D4NH-4DAS                 | D4NH-4EAS                    | D4NH-4FAS                    |
|           |              | M12 connector | ---                       | D4NH-9EAS                    | ---                          |
|           | 2-conduit    | Pg13.5        | D4NH-5DAS                 | D4NH-5EAS                    | D4NH-5FAS                    |
|           |              | G1/2          | D4NH-6DAS                 | D4NH-6EAS                    | D4NH-6FAS                    |
|           |              | 1/2-14NPT *   | D4NH-7DAS                 | D4NH-7EAS                    | D4NH-7FAS                    |
|           |              | M20           | D4NH-8DAS                 | D4NH-8EAS                    | D4NH-8FAS                    |
|           |              |               |                           |                              |                              |
| Arm lever | 1-conduit    | Pg13.5        | D4NH-1DBC                 | D4NH-1EBC                    | D4NH-1FBC                    |
|           |              | G1/2          | D4NH-2DBC                 | D4NH-2EBC                    | D4NH-2FBC                    |
|           |              | 1/2-14NPT     | D4NH-3DBC                 | D4NH-3EBC                    | D4NH-3FBC                    |
|           |              | M20           | D4NH-4DBC                 | D4NH-4EBC                    | D4NH-4FBC                    |
|           |              | M12 connector | ---                       | D4NH-9EBC                    | ---                          |
|           | 2-conduit    | Pg13.5        | D4NH-5DBC                 | D4NH-5EBC                    | D4NH-5FBC                    |
|           |              | G1/2          | D4NH-6DBC                 | D4NH-6EBC                    | D4NH-6FBC                    |
|           |              | 1/2-14NPT *   | D4NH-7DBC                 | D4NH-7EBC                    | D4NH-7FBC                    |
|           |              | M20           | D4NH-8DBC                 | D4NH-8EBC                    | D4NH-8FBC                    |
|           |              |               |                           |                              |                              |

**Note: 1.** It is recommended that M20 be used for Switches to be exported to Europe and 1/2-14NPT be used for Switches to be exported to North American countries.

**2.** All models have slow-action contacts with certified direct opening mechanisms on NC contacts only.

\* The 1/2-14NPT 2-conduit models include an M20-to-1/2-14NPT changing adaptor.

## Specifications

### Standards and EC Directives

Conforms to the following EC Directives:

- Machinery Directive
- Low Voltage Directive
- EN50047
- EN60204-1
- EN1088
- GS-ET-15

### Certified Standards

| Certification body | Standard                                  | File No.   |
|--------------------|---|--|
| TÜV SÜD            | EN60947-5-1<br>(certified direct opening) | Ask your OMRON representative for information on certified models. |
| UL *               | UL508, CSA C22.2 No.14                    | E76675   |
| CCC (CQC)          | GB14048.5                                 | 2004010305105973   |

\* Certification for CSA C22.2 No. 14 is authorized by the UL mark.

### Certified Standard Ratings

TÜV (EN60947-5-1)

| Item                                      | Utilization category | AC-15 | DC-13  |
|---|----------------------|-------|--------|
| Rated operating current (I <sub>e</sub> ) |                      | 3 A   | 0.27 A |
| Rated operating voltage (U <sub>e</sub> ) |                      | 240 V | 250 V  |

**Note:** Use a 10 A fuse type gI or gG that conforms to IEC60269 as a short-circuit protection device. This fuse is not built into the Switch.

UL/CSA (UL508, CSA C22.2 No. 14)

A300

| Rated voltage | Carry current | Current (A) |       | Volt-amperes (VA) |       |
|---------------|---------------|-------------|-------|-------------------|-------|
|               |               | Make        | Break | Make              | Break |
| 120 VAC       | 10 A          | 60          | 6     | 7,200             | 720   |
| 240 VAC       |               | 30          | 3     |                   |       |

Q300

| Rated voltage | Carry current | Current (A) |       | Volt-amperes (VA) |       |
|---------------|---------------|-------------|-------|-------------------|-------|
|               |               | Make        | Break | Make              | Break |
| 125 VDC       | 2.5 A         | 0.55        | 0.55  | 69                | 69    |
| 250 VDC       |               | 0.27        | 0.27  |                   |       |

## Characteristics

|  |   |  |
|--|---|--|
| Degree of protection *1                                  |   | IP67 (EN60947-5-1)   |
| Durability *2  | Mechanical  | 1,000,000 operations min.  |
|  | Electrical  | 500,000 operations min. (3 A resistive load at 250 VAC) *3<br>300,000 operations min. (10 A resistive load at 250 VAC) |
| Operating speed  |   | 2 to 360°/s  |
| Operating frequency                                      |   | 30 operations/minute max.  |
| Contact resistance                                       |   | 25 mΩ max.   |
| Minimum applicable load *4                               |   | 1 mA resistive load at 5 VDC (N-level reference value)   |
| Rated insulation voltage (U <sub>i</sub> )               |   | 300 V  |
| Rated frequency  |   | 50/60 Hz   |
| Protection against electric shock                        |   | Class II (double insulation)   |
| Pollution degree (operating environment)                 |   | 3 (EN60947-5-1)  |
| Impulse withstand voltage (EN60947-5-1)                  | Between terminals of same polarity                            | 2.5 kV   |
|  | Between terminals of different polarity                       | 4 kV   |
|  | Between each terminal and non-current carrying metallic parts | 6 kV   |
| Insulation resistance                                    |   | 100 MΩ min.  |
| Contact gap  |   | 2 × 2 mm min.  |
| Vibration resistance                                     | Malfunction   | 10 to 55 Hz, 0.75 mm single amplitude  |
|  | Destruction   | 1,000 m/s <sup>2</sup> min.  |
| Shock resistance   | Malfunction   | 300 m/s <sup>2</sup> min.  |
|  | Conditional short-circuit current                             | 100 A (EN60947-5-1)  |
| Conventional free air thermal current (I <sub>th</sub> ) |   | 10 A (EN60947-5-1)   |
| Ambient operating temperature                            |   | -30 to 70°C (with no icing)  |
| Ambient operating humidity                               |   | 95% max.   |
| Weight   |   | Approx. 87 g (D4NH-1AAS)<br>Approx. 97 g (D4NH-1ABC)   |

**Note:** 1. The above values are initial values.

2. Once the contacts have been used to switch a load, however, they cannot be used to switch smaller loads. The contact surfaces will become rough once they have been used and contact reliability for smaller loads may be reduced.

\*1. The degree of protection is tested using the method specified by the standard (EN60947-5-1). Confirm that sealing properties are sufficient for the operating conditions and environment beforehand. Although the switch box is protected from dust or water penetration, do not use the D4NH in places where foreign material such as dust, dirt, oil, water, or chemicals may enter through the head. Otherwise, accelerated wear, switch damage, or malfunctioning may occur.

\*2. The durability is for an ambient temperature of 5 to 35°C and an ambient humidity of 40% to 70%. For more details, consult your OMRON representative.

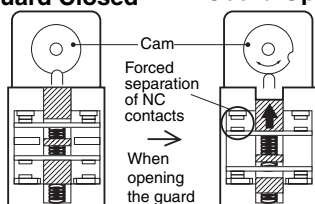
\*3. Do not pass the 3 A, 250 VAC load through more than 2 circuits.

\*4. This value will vary with the switching frequency, environment, and reliability level. Confirm that correct operation is possible with the actual load beforehand.

# Structure and Nomenclature

## Structure (D4NH-□□BC)

**Guard Closed**      **Guard Open**



When the guard is opened, the cam that is directly coupled to the shaft rotates to press the Switch in the direction shown by the (vertical) arrow. This action separates the contacts to stop the machine.

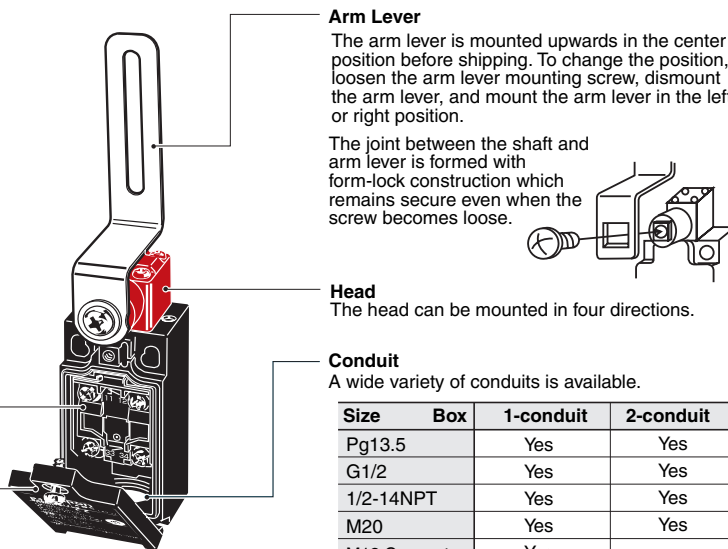
**Built-in Switch**

The built-in switch has a direct opening mechanism that forcibly separates the NC contact even when there is contact deposit.

**Cover**

The cover, with a hinge on its lower part, can be opened by removing the screw of the cover, which ensures ease of maintenance and wiring.

**Note:** The housing and head of the D4NH are made of resin. Use D4BS Safety-door Switches for applications requiring safety door switches of tough, high-sealing, or oil-resistant construction.



**Arm Lever**

The arm lever is mounted upwards in the center position before shipping. To change the position, loosen the arm lever mounting screw, dismount the arm lever, and mount the arm lever in the left or right position.

The joint between the shaft and arm lever is formed with form-lock construction which remains secure even when the screw becomes loose.

**Head**

The head can be mounted in four directions.

**Conduit**

A wide variety of conduits is available.

| Size          | Box | 1-conduit | 2-conduit |
|---------------|-----|-----------|-----------|
| Pg13.5        |     | Yes       | Yes       |
| G1/2          |     | Yes       | Yes       |
| 1/2-14NPT     |     | Yes       | Yes       |
| M20           |     | Yes       | Yes       |
| M12 Connector |     | Yes       | ---       |

**Note:** M12 connector types are not available for Switches with three contacts.

## Contact Form

| Model    | Contact       | Contact form | Operating pattern | Remarks   |
|----------|---------------|--------------|-------------------|---|
| D4NH-□A□ | 1NC/1NO       |              |                   | Only NC contacts 11-12 have a certified direct opening mechanism. (→)<br>The terminals 11-12 and 33-34 can be used as unlike poles.                           |
| D4NH-□B□ | 2NC           |              |                   | Only NC contacts 11-12 and 31-32 have a certified direct opening mechanism. (→)<br>The terminals 11-12 and 31-32 can be used as unlike poles.                 |
| D4NH-□C□ | 2NC/1NO       |              |                   | Only NC contacts 11-12 and 21-22 have a certified direct opening mechanism. (→)<br>The terminals 11-12, 21-22, and 33-34 can be used as unlike poles.         |
| D4NH-□D□ | 3NC           |              |                   | Only NC contacts 11-12, 21-22, and 31-32 have a certified direct opening mechanism. (→)<br>The terminals 11-12, 21-22, and 31-32 can be used as unlike poles. |
| D4NH-□E□ | 1NC/1NO MBB * |              |                   | Only NC contacts 11-12 have a certified direct opening mechanism. (→)<br>The terminals 11-12 and 33-34 can be used as unlike poles.                           |
| D4NH-□F□ | 2NC/1NO MBB * |              |                   | Only NC contacts 11-12 and 21-22 have a certified direct opening mechanism. (→)<br>The terminals 11-12, 21-22 and 33-34 can be used as unlike poles.          |

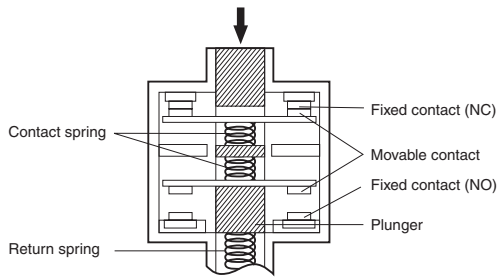
**Note: 1.** Terminals are numbered according to EN50013. Contact forms are according to EN60947-5-1.

**2.** MBB (Make Before Break) contacts have an overlapping structure, so that before the normally closed contact (NC) opens, the normally open contact (NO) closes.

\* MBB (Make Before Break) contacts have an overlapping structure, so that before the normally closed contact (NC) opens, the normally open contact (NO) closes.

## Direct Opening Mechanism

### 1NC/1NO Contact (Slow-action)

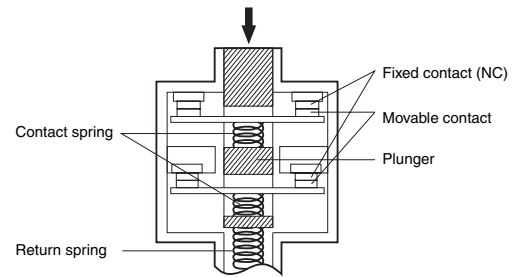


Conforms to EN60947-5-1 Direct Opening ⊖

(Only NC Contact has a direct opening mechanism.)

When contact welding occurs, the contacts are separated from each other by the plunger being pushed in.

### 2NC Contact (Slow-action)



Conforms to EN60947-5-1 Direct Opening ⊖

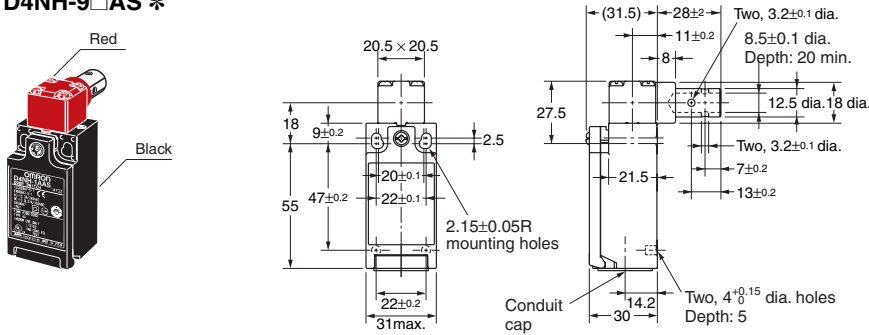
(Both NC Contacts have a direct opening mechanism.)

When contact welding occurs, the contacts are separated from each other by the plunger being pushed in.

# Dimensions and Operating Characteristics

## Shaft Type with 1 Conduit

- D4NH-1□AS D4NH-2□AS
- D4NH-3□AS D4NH-4□AS
- D4NH-9□AS \*

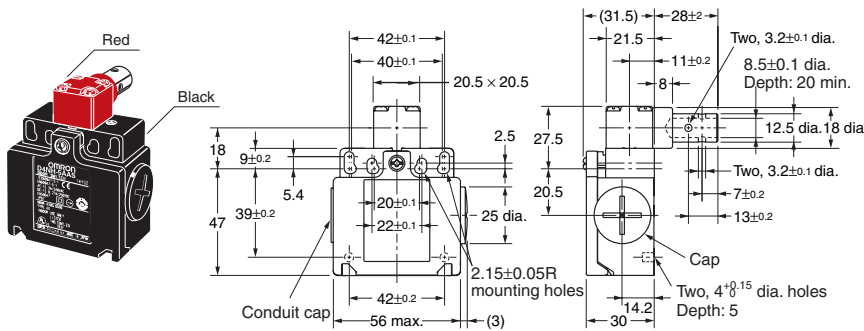


|                              |                   |                 |
|------------------------------|-------------------|-----------------|
| <b>Operating force</b>       | <b>OF max.</b>    | 0.15 N·m        |
| <b>Pretravel PT 1 (NC)</b>   |                   | (7°) (MBB: 10°) |
| <b>Pretravel PT 2 (NO)</b>   |                   | (19°) (MBB: 5°) |
| <b>Direct opening travel</b> | <b>DOT min. *</b> | 18°             |
| <b>Direct opening force</b>  | <b>DOF min.</b>   | 1 N·m           |

\* Be sure to provide this amount to ensure safety in operation.

## Shaft Type with 2 Conduits

- D4NH-5□AS D4NH-6□AS
- D4NH-7□AS D4NH-8□AS



|                              |                   |                 |
|------------------------------|-------------------|-----------------|
| <b>Operating force</b>       | <b>OF max.</b>    | 0.15 N·m        |
| <b>Pretravel PT 1 (NC)</b>   |                   | (7°) (MBB: 10°) |
| <b>Pretravel PT 2 (NO)</b>   |                   | (19°) (MBB: 5°) |
| <b>Direct opening travel</b> | <b>DOT min. *</b> | 18°             |
| <b>Direct opening force</b>  | <b>DOF min.</b>   | 1 N·m           |

\* Be sure to provide this amount to ensure safety in operation.

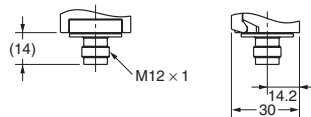
**Note: 1.** Unless otherwise specified, a tolerance of ±0.4 mm applies to all dimensions.

**2.** Variation occurs in the simultaneity of contact opening/closing operations of 2NC, 2NC/1NO, and 3NC contacts. Check contact operation.

\* Refer to the following diagram for details on M12 connectors.

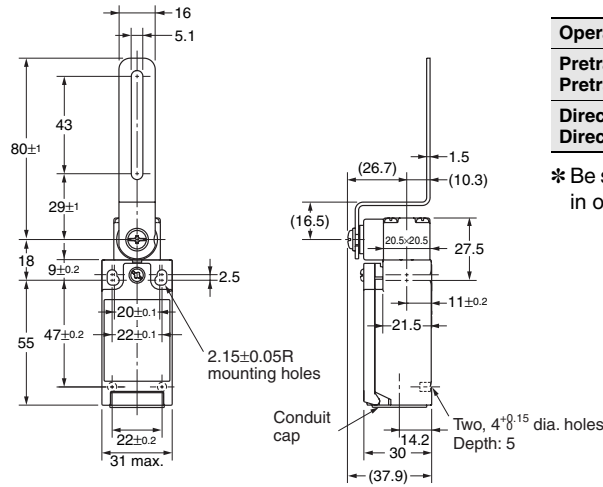
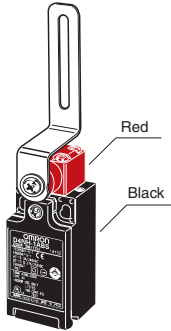
## 1-conduit M12 Connector

- D4NH-9□□□



**Arm Lever Type with 1 Conduit**

D4NH-1□BC D4NH-2□BC  
 D4NH-3□BC D4NH-4□BC  
 D4NH-9□BC \*

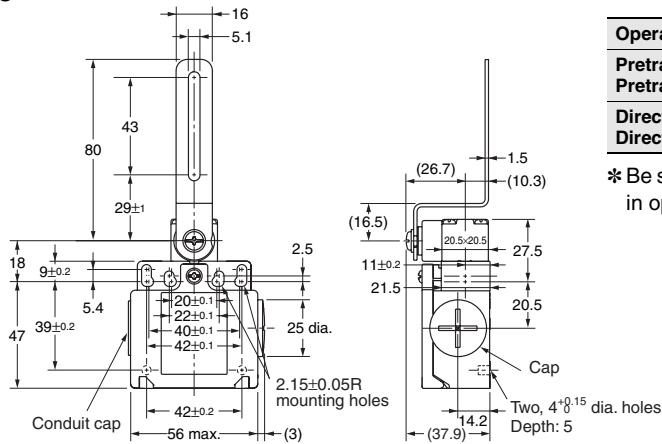
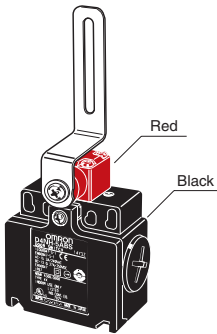


|   |                                      |                                    |
|---|--------------------------------------|------------------------------------|
| <b>Operating force</b>                                      | <b>OF max.</b>                       | 0.15 N·m                           |
| <b>Pretravel PT 1 (NC)</b><br><b>Pretravel PT 2 (NO)</b>    |                                      | (7°) (MBB: 10°)<br>(19°) (MBB: 5°) |
| <b>Direct opening travel</b><br><b>Direct opening force</b> | <b>DOT min. *</b><br><b>DOF min.</b> | 18°<br>1 N·m                       |

\* Be sure to provide this amount to ensure safety in operation.

**Arm Lever Type with 2 Conduits**

D4NH-5□BC D4NH-6□BC  
 D4NH-7□BC D4NH-8□BC



|   |                                      |                                    |
|---|--------------------------------------|------------------------------------|
| <b>Operating force</b>                                      | <b>OF max.</b>                       | 0.15 N·m                           |
| <b>Pretravel PT 1 (NC)</b><br><b>Pretravel PT 2 (NO)</b>    |                                      | (7°) (MBB: 10°)<br>(19°) (MBB: 5°) |
| <b>Direct opening travel</b><br><b>Direct opening force</b> | <b>DOT min. *</b><br><b>DOF min.</b> | 18°<br>1 N·m                       |

\* Be sure to provide this amount to ensure safety in operation.

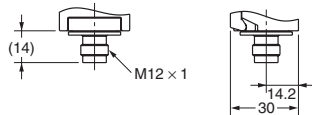
**Note: 1.** Unless otherwise specified, a tolerance of ±0.4 mm applies to all dimensions.

**2.** Variation occurs in the simultaneity of contact opening/closing operations of 2NC, 2NC/1NO, and 3NC contacts. Check contact operation.

\* Refer to the following diagram for details on M12 connectors.

**1-conduit M12 Connector**

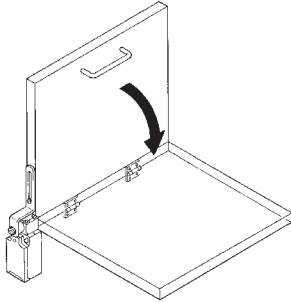
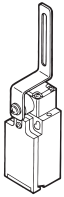
D4NH-9□□□



**Application Examples of Arm Lever Use** (Be sure to evaluate the Switch under actual working conditions after installation.)

**When Installing at the Center**

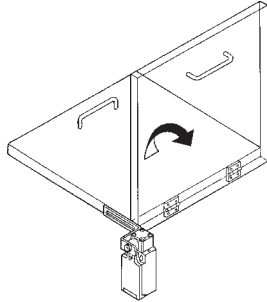
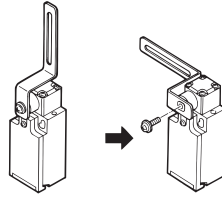
The arm lever is set for center installation at the time of shipment.



**Note:** Install the arm lever so that it will not rotate more than 90°.

**When Installing to the Left**

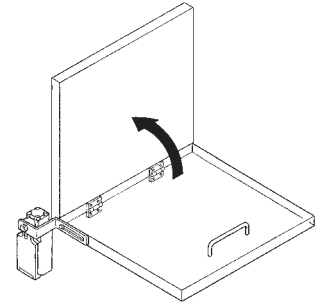
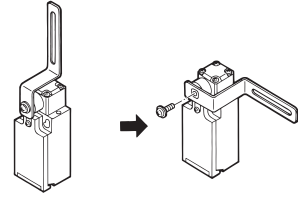
Remove the screw and arm lever, position the arm lever to the left, and then secure it with the screw.



**Note:** Install the arm lever so that it will not rotate more than 180°.

**When Installing to the Right**

Remove the screw and arm lever, position the arm lever to the right, and then secure it with the screw.



**Note:** Install the arm lever so that it will not rotate more than 180°.



## Safety Precautions

Refer to the “*Precautions for All Switches*” and “*Precautions for All Safety Door Switches*”.

### CAUTION

Electric shock may occasionally occur.  
Do not use metal connectors or metal conduits.



### Precautions for Safe Use

- Do not use the Switch submerged in oil or water, or in locations continuously subject to splashes of oil or water. Doing so may result in oil or water entering the Switch interior. (The IP67 degree of protection specification for the Switch refers to water penetration while the Switch is submersed in water for a specified period of time.)
- Always attach the cover after completing wiring and before using the Switch. Also, do not turn ON the Switch with the cover open. Doing so may result in electric shock.
- Do not switch circuits for two or more standard loads (250 VAC, 3 A) at the same time. Doing so may adversely affect insulation performance.

### Precautions for Correct Use

## Mounting Method

### Appropriate Tightening Torque

- Loose screws may result in malfunction. Tighten the screws to the specified torques.

|                          |                            |
|--------------------------|----------------------------|
| Terminal screw           | 0.6 to 0.8 N·m             |
| Cover mounting screw     | 0.5 to 0.7 N·m             |
| Head mounting screw      | 0.5 to 0.6 N·m             |
| Arm lever mounting screw | 1.6 to 1.8 N·m             |
| Body mounting screw      | 0.5 to 0.7 N·m             |
| Connector, M12 adaptor   | 1.8 to 2.2 N·m             |
|                          | 1.4 to 1.8 N·m (1/2-14NPT) |
| Cap screw                | 1.3 to 1.7 N·m             |

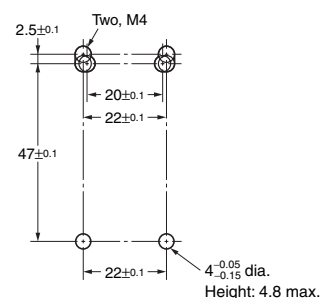
- When loosening a screw with an electrical screwdriver or similar tool while pressing down on the screw head, do not continue turning the screw past the point where the threads disengage. Doing so may strip the end of the threads.

### Switch Mounting

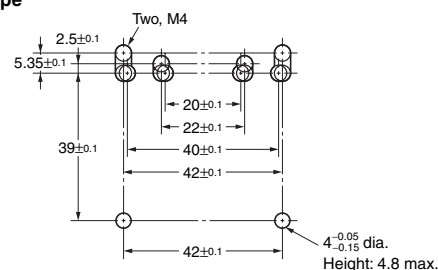
- Mount the Switch using M4 screws and spring washers and tighten the screws to the specified torque.
- To ensure safety, use screws that cannot be easily removed or another means to prevent the Switch and Operation Key from easily being removed.
- As shown below, two studs with a maximum height of 4.8 mm and a diameter of  $4^{+0.05}_{-0.15}$  mm can be provided, the studs inserted into the holes on the bottom of the Switch, and the Switch secured at four locations to increase the mounting strength.

### Switch Mounting Holes

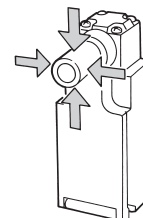
#### • One-conduit Type



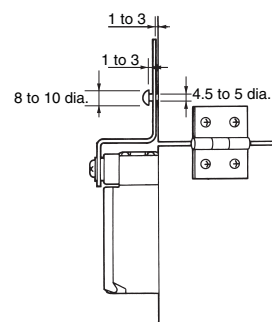
#### • Two-conduit Type



- Mount the shaft or arm lever securely with a one-way screw, or an equivalent so that the shaft or arm lever cannot be easily removed.
- Align the rotational center of the shaft with the door, so that the Switch shaft and head will not be subjected to mechanical stress when the door opens or closes. Do not impose a force of 50 N or more on the shaft.



Be sure that the arm lever and door are mounted as shown in the following diagram so that the arm lever and head are not subjected to mechanical stress when the door opens or closes.



## Changing the Head Direction

- By removing the four screws of the head, the mounting direction of the head can be changed. The head can be mounted in four directions.  
Be sure that no foreign material will enter the head during a change in direction.
- Do not insert or remove the Operation Key with the Switch head removed. Doing so may make it impossible to insert the Operation Key.

## Arm Lever Mounting Position

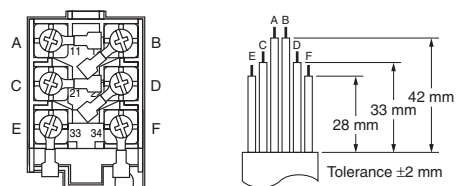
The arm lever is mounted upwards in the center position before shipping. To change the position, loosen the arm lever mounting screw, dismount the arm lever, and mount the arm lever in the left or right position.

## Wiring

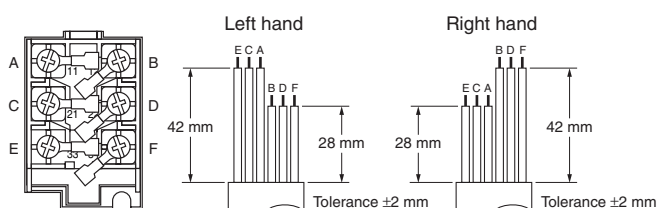
### Wiring

- When connecting to the terminals via insulating tube and M3.5 crimp terminals, arrange the crimp terminals as shown below so that they do not rise up onto the case or the cover. Applicable lead wire size: AWG20 to AWG18 (0.5 to 0.75 mm<sup>2</sup>). Use lead wires of an appropriate length, as shown below. Not doing so may result in excess length causing the cover to rise and not fit properly.

### One-conduit Type (3 Poles)



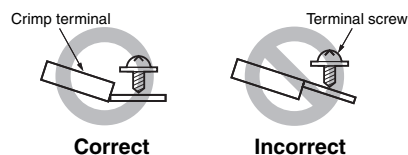
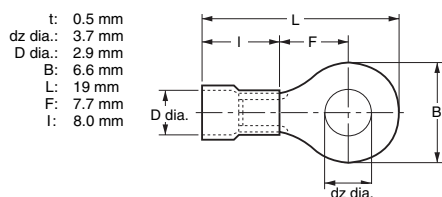
### Two-conduit Type (3 Poles)



- Do not push crimp terminals into gaps in the case interior. Doing so may cause damage or deformation of the case.
- Use crimp terminals not more than 0.5 mm in thickness. Otherwise, they will interfere with other components inside the case.

**[Reference]** The crimp terminals shown below are not more than 0.5 mm thick.

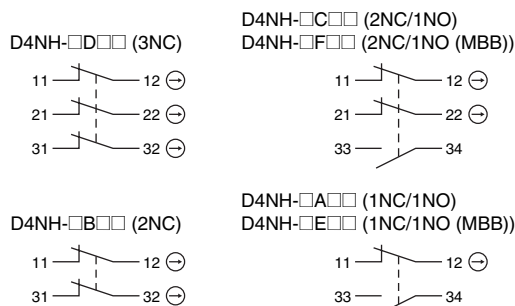
| Manufacture    | Type   |
|----------------|--|
| J.S.T. Mfg Co. | FN0.5-3.7 (F Type)<br>N0.5-3.7 (Straight Type) |



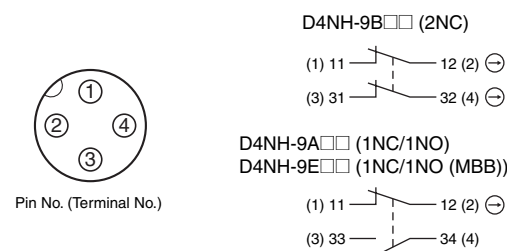
## Contact Arrangement

- The following diagrams show the contact arrangements used for screw terminal types and connector types.

### Screw Terminal Type



### Connector Type



- Applicable socket: XS2F-D421 series (OMRON).
- Refer to the *Connector Catalog* for details on socket pin numbers and lead wire colors.

### Socket Tightening (Connector Type)

- Turn the socket connector screws by hand and tighten until no space remains between the socket and the plug.
- Make sure that the socket connector is tightened securely. Otherwise, the rated degree of protection (IP67) may not be maintained and vibration may loosen the socket connector.

### Conduit Opening

- Connect a recommended connector to the opening of the conduit and tighten the connector to the specified torque. The case may be damaged if an excessive tightening torque is applied.
- When using 1/2-14NPT conduits, apply sealing tape between the connector and conduit opening to maintain the degree of protection (IP67) of the Switch.
- Use a cable with a suitable diameter for the connector.
- Attach and tighten a conduit cap to the unused conduit opening when wiring. Tighten the conduit cap to the specified torque. The conduit cap is provided with the Switch (2-conduit types).

## Recommended Connectors

Use connectors with screws not exceeding 9 mm, otherwise the screws will protrude into the case interior, interfering with other components in the case. The connectors listed in the following table have connectors with thread sections not exceeding 9 mm. Use the recommended connectors to ensure conformance to IP67.

| Size      | Manufacturer | Model                     | Applicable cable diameter |
|-----------|--------------|---------------------------|---------------------------|
| G1/2      | LAPP         | ST-PF1/2<br>5380-1002     | 6.0 to 12.0 mm            |
| Pg13.5    | LAPP         | ST-13.5<br>5301-5030      | 6.0 to 12.0 mm            |
| M20       | LAPP         | ST-M20 × 1.5<br>5311-1020 | 7.0 to 13.0 mm            |
| 1/2-14NPT | LAPP         | ST-NPT1/2<br>5301-6030    | 6.0 to 12.0 mm            |

Use LAPP connectors together with Seal Packing (JPK-16, GP-13.5, or GPM20), and tighten to the specified tightening torque. Seal Packing is sold separately.

- LAPP is a German manufacturer.
- Before using a 2-conduit 1/2-14NPT type, attach the enclosed adaptor to the Switch and then connect the recommended connector.

## Others

- When attaching a cover, be sure that the seal rubber is in place and that there is no foreign material present. If the cover is attached with the seal rubber out of place or if foreign material is stuck to the rubber, a proper seal will not be obtained.
- Do not use any screws to connect the cover other than the specified ones. The seal characteristics may be reduced.

# Production Discontinuation

Following the release of the D4NH, production of the D4DH was discontinued.

## Date of Production Discontinuation

Production of the D4DH Series was discontinued as of the end of March 2006.

## Recommended Substitute Products

Use the D4NH-series Switches, which have been available since January 2004.

## Product Substitution

- Dimensions**  
The D4DH and D4NH use the same mounting method, and mounting hole. The multi-contact structure and the extra 4 mm in length, however, are different.
- Terminal Numbers**  
For the 2-contact model, the terminals 21, 22, 23, and 24 on the D4DH are 31, 32, 33, and 34 on the D4NH.
- Recommended Terminals**  
If the recommended terminals are not used, the Switch may not be compatible. Make sure that the Switch is compatible with the terminals.

## Comparison of the D4DH and Substitute Products

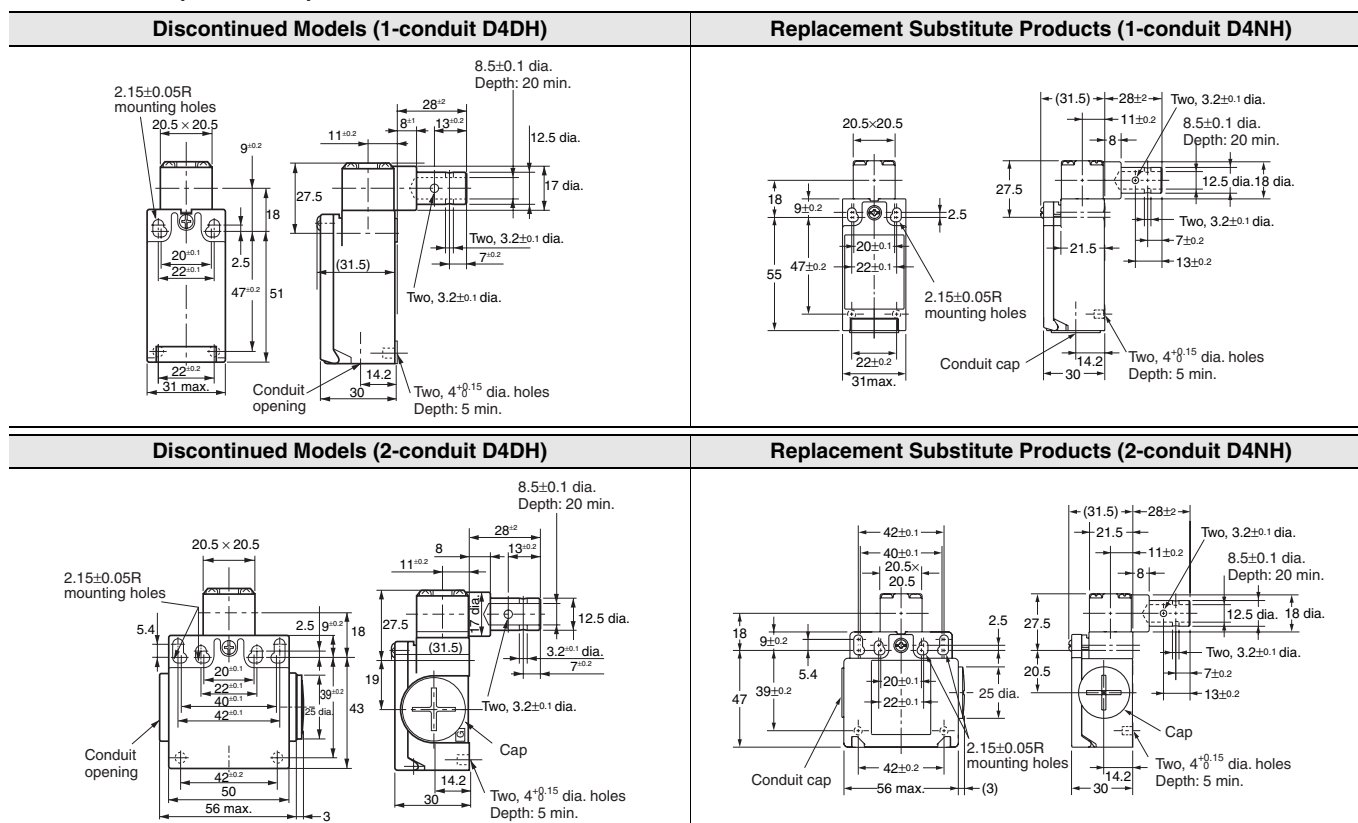
|                                  |                         |
|----------------------------------|-------------------------|
| <b>Model</b>                     | D4NH                    |
| <b>Switch color</b>              | Very similar            |
| <b>Dimensions</b>                | Very similar            |
| <b>Wiring/connection</b>         | Significantly different |
| <b>Mounting method</b>           | Completely compatible   |
| <b>Ratings/performance</b>       | Very similar            |
| <b>Operating characteristics</b> | Very similar            |
| <b>Operating method</b>          | Completely compatible   |

## Discontinued Products and Recommended Substitute Products

Using M screws is recommended to comply with European standards. Therefore, the M20 conduit model is recommended for use in new designs.

| Discontinued Products | Recommended substitute product | Discontinued Products | Recommended substitute product |
|-----------------------|--------------------------------|-----------------------|--------------------------------|
| D4DH-15AS             | D4NH-1AAS                      | D4DH-1AAS             | D4NH-1BAS                      |
| D4DH-25AS             | D4NH-2AAS                      | D4DH-2AAS             | D4NH-2BAS                      |
| D4DH-35AS             | D4NH-3AAS                      | D4DH-3AAS             | D4NH-3BAS                      |
| D4DH-55AS             | D4NH-5AAS                      | D4DH-5AAS             | D4NH-5BAS                      |
| D4DH-65AS             | D4NH-6AAS                      | D4DH-6AAS             | D4NH-6BAS                      |
| D4DH-15BC             | D4NH-1ABC                      | D4DH-1ABC             | D4NH-1BBC                      |
| D4DH-25BC             | D4NH-2ABC                      | D4DH-2ABC             | D4NH-2BBC                      |
| D4DH-35BC             | D4NH-3ABC                      | D4DH-3ABC             | D4NH-3BBC                      |
| D4DH-55BC             | D4NH-5ABC                      | D4DH-5ABC             | D4NH-5BBC                      |
| D4DH-65BC             | D4NH-6ABC                      | D4DH-6ABC             | D4NH-6BBC                      |

## Dimensions (Unit: mm)



## Read and Understand This Catalog

Please read and understand this catalog before purchasing the products. Please consult your OMRON representative if you have any questions or comments.

## Warranty and Limitations of Liability

### WARRANTY

OMRON's exclusive warranty is that the products are free from defects in materials and workmanship for a period of one year (or other period if specified) from date of sale by OMRON.

OMRON MAKES NO WARRANTY OR REPRESENTATION, EXPRESS OR IMPLIED, REGARDING NON-INFRINGEMENT, MERCHANTABILITY, OR FITNESS FOR PARTICULAR PURPOSE OF THE PRODUCTS. ANY BUYER OR USER ACKNOWLEDGES THAT THE BUYER OR USER ALONE HAS DETERMINED THAT THE PRODUCTS WILL SUITABLY MEET THE REQUIREMENTS OF THEIR INTENDED USE. OMRON DISCLAIMS ALL OTHER WARRANTIES, EXPRESS OR IMPLIED.

### LIMITATIONS OF LIABILITY

OMRON SHALL NOT BE RESPONSIBLE FOR SPECIAL, INDIRECT, OR CONSEQUENTIAL DAMAGES, LOSS OF PROFITS OR COMMERCIAL LOSS IN ANY WAY CONNECTED WITH THE PRODUCTS, WHETHER SUCH CLAIM IS BASED ON CONTRACT, WARRANTY, NEGLIGENCE, OR STRICT LIABILITY.

In no event shall the responsibility of OMRON for any act exceed the individual price of the product on which liability is asserted.

IN NO EVENT SHALL OMRON BE RESPONSIBLE FOR WARRANTY, REPAIR, OR OTHER CLAIMS REGARDING THE PRODUCTS UNLESS OMRON'S ANALYSIS CONFIRMS THAT THE PRODUCTS WERE PROPERLY HANDLED, STORED, INSTALLED, AND MAINTAINED AND NOT SUBJECT TO CONTAMINATION, ABUSE, MISUSE, OR INAPPROPRIATE MODIFICATION OR REPAIR.

## Application Considerations

### SUITABILITY FOR USE

OMRON shall not be responsible for conformity with any standards, codes, or regulations that apply to the combination of products in the customer's application or use of the products.

At the customer's request, OMRON will provide applicable third party certification documents identifying ratings and limitations of use that apply to the products. This information by itself is not sufficient for a complete determination of the suitability of the products in combination with the end product, machine, system, or other application or use.

The following are some examples of applications for which particular attention must be given. This is not intended to be an exhaustive list of all possible uses of the products, nor is it intended to imply that the uses listed may be suitable for the products:

- Outdoor use, uses involving potential chemical contamination or electrical interference, or conditions or uses not described in this catalog.
- Nuclear energy control systems, combustion systems, railroad systems, aviation systems, medical equipment, amusement machines, vehicles, safety equipment, and installations subject to separate industry or government regulations.
- Systems, machines, and equipment that could present a risk to life or property.

Please know and observe all prohibitions of use applicable to the products.

NEVER USE THE PRODUCTS FOR AN APPLICATION INVOLVING SERIOUS RISK TO LIFE OR PROPERTY WITHOUT ENSURING THAT THE SYSTEM AS A WHOLE HAS BEEN DESIGNED TO ADDRESS THE RISKS, AND THAT THE OMRON PRODUCTS ARE PROPERLY RATED AND INSTALLED FOR THE INTENDED USE WITHIN THE OVERALL EQUIPMENT OR SYSTEM.

### PROGRAMMABLE PRODUCTS

OMRON shall not be responsible for the user's programming of a programmable product, or any consequence thereof.

## Disclaimers

### CHANGE IN SPECIFICATIONS

Product specifications and accessories may be changed at any time based on improvements and other reasons.

It is our practice to change model numbers when published ratings or features are changed, or when significant construction changes are made. However, some specifications of the products may be changed without any notice. When in doubt, special model numbers may be assigned to fix or establish key specifications for your application on your request. Please consult with your OMRON representative at any time to confirm actual specifications of purchased products.

### DIMENSIONS AND WEIGHTS

Dimensions and weights are nominal and are not to be used for manufacturing purposes, even when tolerances are shown.

### PERFORMANCE DATA

Performance data given in this catalog is provided as a guide for the user in determining suitability and does not constitute a warranty. It may represent the result of OMRON's test conditions, and the users must correlate it to actual application requirements. Actual performance is subject to the OMRON Warranty and Limitations of Liability.

### ERRORS AND OMISSIONS

The information in this document has been carefully checked and is believed to be accurate; however, no responsibility is assumed for clerical, typographical, or proofreading errors, or omissions.

2010.11

In the interest of product improvement, specifications are subject to change without notice.

**OMRON Corporation**  
Industrial Automation Company

<http://www.ia.omron.com/>

(c)Copyright OMRON Corporation 2010 All Right Reserved.