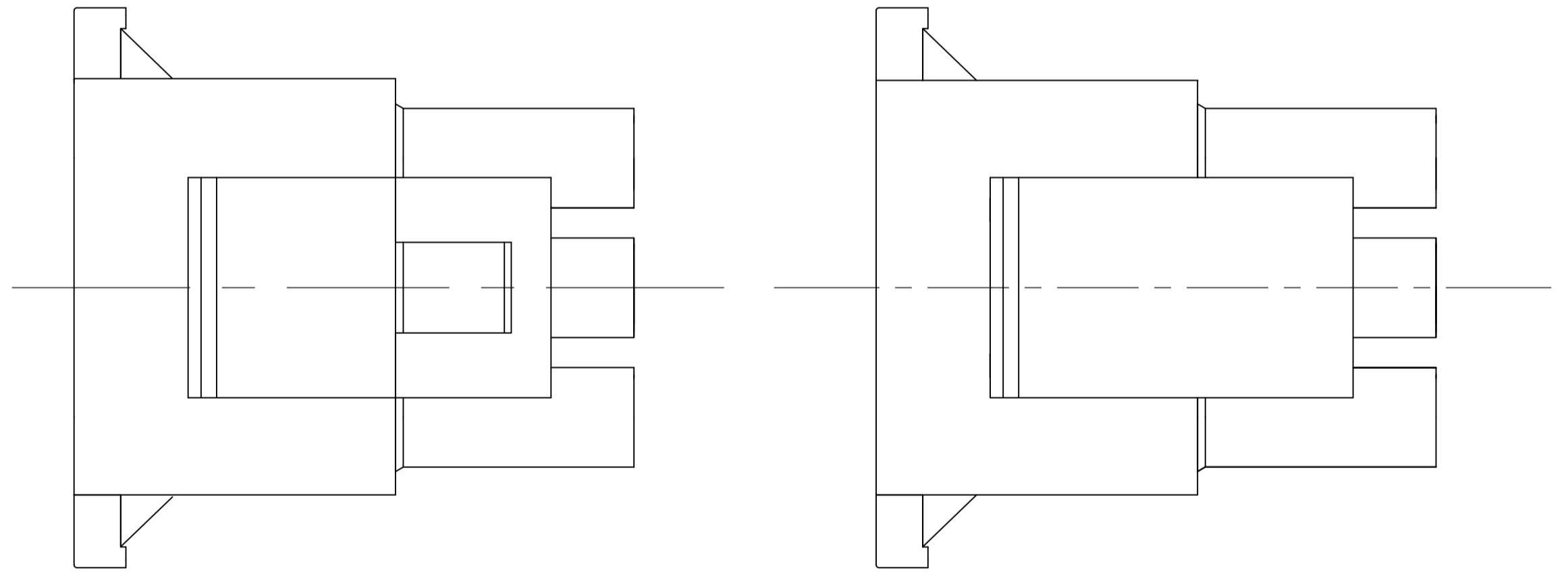
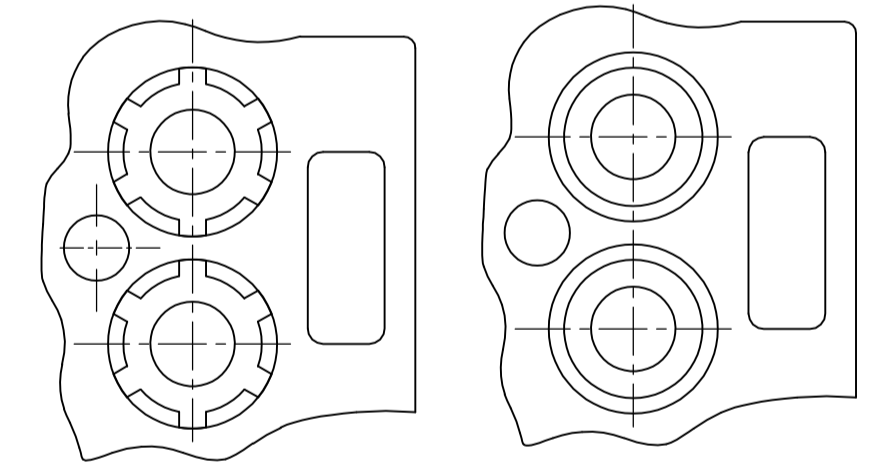


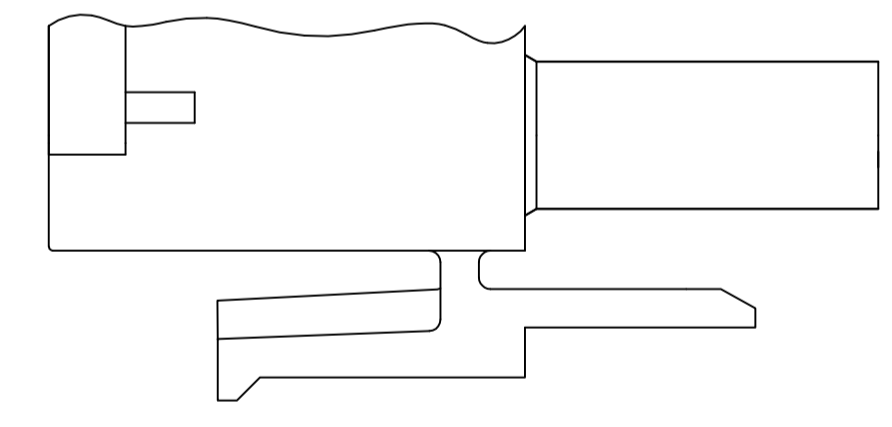
- MATES WITH APPROPRIATE UNIVERSAL MATE-N-LOK™ CAP OR HEADER.
- SMALL NICKS ARE PERMITTED ON THE CIRCUIT TOWERS WHICH COULD INCREASE THE INITIAL HOUSING MATING FORCE BY UP TO 4.4 NEWTONS [1.0] LBS. NO INDIVIDUAL NICKED TOWER SHALL INCREASE THIS FORCE BY OVER 2.2 NEWTONS [.5] LBS.
- DIMENSION INDICATED IS AS MOLDED. ADDITIONAL GROWTH DUE TO SUBSEQUENT MOISTURE ABSORPTION MAY OCCUR.
- FOUR RIBS EQUALLY SPACED, NO SPECIFIC ORIENTATION, NO RIBS OR SIX RIBS EQUALLY SPACED, NO SPECIFIC ORIENTATION, OPTIONAL.
- NOT MANUFACTURED IN THE UNITED STATES.
- UNDERWRITERS RECOGNIZED COMPONENT LOGO AND CSA CERTIFICATION LOGO TO BE LOCATED ONCE ON EACH SIDE OF HOUSING.
- NYLON, UL94V-0.



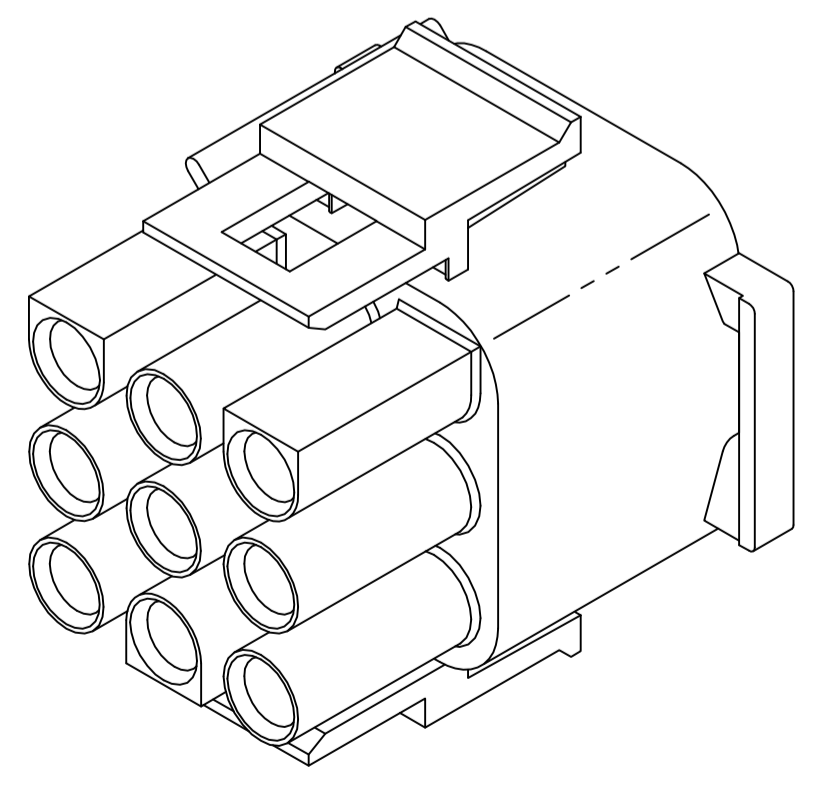
VIEW A-A  
350720-4 ONLY



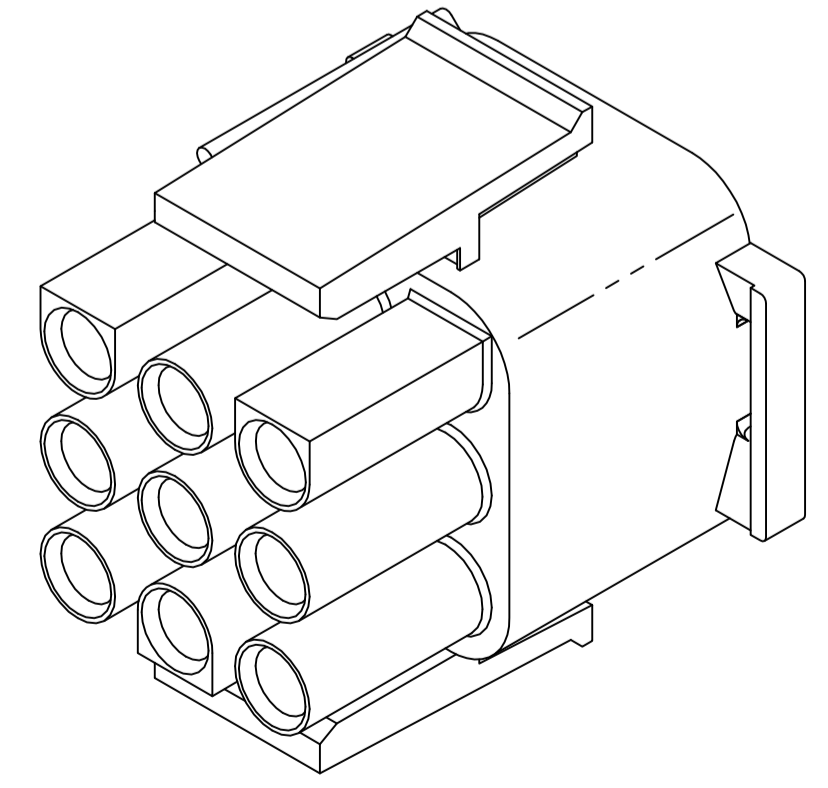
DETAIL A  
OPTIONAL CONSTRUCTION



DETAIL B  
350720-4 ONLY



350720-4 3-DIMENSIONAL MODEL  
NOT TO SCALE



3-DIMENSIONAL MODEL  
NOT TO SCALE

BLACK	1-350720-9
GRAY	1-350720-8
BLUE	1-350720-6
GREEN	1-350720-5
YELLOW	1-350720-4
ORANGE	1-350720-3
RED	1-350720-2
BROWN	1-350720-1
NATURAL	350720-4
NATURAL	350720-1
COLOR	PART NUMBER

THIS DRAWING IS A CONTROLLED DOCUMENT.		DN S. HAMM 07JUN01	TE Connectivity	
DIMENSIONS: mm [INCHES]		CHK S. RIDGILL 07JUN01	NAME PLUG, 9 CIRCUIT, UNIVERSAL MATE-N-LOK™	
TOLERANCES UNLESS OTHERWISE SPECIFIED: 0. PLC ± - 1. PLC ± - 2. PLC ± 0.13 [.005] 3. PLC ± - 4. PLC ± - ANGLES ± °30'		APVD S. RIDGILL 07JUN01	PRODUCT SPEC	
MATERIAL		APPLICATION SPEC	SIZE A1	CAGE CODE 00779
FINISH		WEIGHT	DRAWING NO 350720	
		CUSTOMER DRAWING		RESTRICTED TO SCALE 4:1 SHEET 1 OF 1 REV AA3