

152892 ✓ ACTIVE

PIDG

TE Internal #: 152892

PIDG, Rings & Spades, Ring Tongue, 20AWG Wire Size, .41 – .65mm² Wire Size, 810 – 1290CMA Wire Size, M5, Stud Diameter 5 mm [.197 in]

[View on TE.com >](#)



Terminals & Splices > Rings & Spades



Terminal & Splice Type: **Ring Tongue**

Wire Size: **810 – 1290 CMA**

Stud Size: **M5**

Features

Product Type Features

Shape Description	RING-041
Stud Size	M5
Barrel Type	Closed Barrel
Sealable	No
Insulated	Yes
Wire/Cable Type	Regular Wire
Support Style	Non - Insulation Support

Configuration Features

Number of Holes	1
Terminal Angle	Straight

Electrical Characteristics

Voltage (Max)	300 V
---------------	-------

Body Features

Insulation Sleeve Color	Purple
Weight per Piece	.757 g
Plating Material	Tin

Contact Features

Terminal & Splice Type	Ring Tongue
Terminal Orientation	Straight



Mechanical Attachment

Wire Insulation Support	With
-------------------------	------

Dimensions

Wire Size	810 – 1290 CMA
Stud Diameter	5 mm [.197 in]
Tongue Thickness	.79 mm [.031 in]
Overall Length	19.99 mm [.786 in]
Wire Insulation Diameter (Max)	2.03 mm [.08 in]
Wire Insulation Diameter	1.14 – 2.03 mm [.045 – .08 in]

Usage Conditions

Operating Temperature Range	105 °C [221 °F]
-----------------------------	-----------------

Operation/Application

Heavy Duty	No
------------	----

Industry Standards

Government Qualified	No
----------------------	----

Packaging Features

Packaging Quantity	1000
Packaging Method	Loose Piece

Product Compliance

[For compliance documentation, visit the product page on TE.com>](#)

EU RoHS Directive 2011/65/EU	Compliant
EU ELV Directive 2000/53/EC	Compliant
China RoHS 2 Directive MIIT Order No 32, 2016	No Restricted Materials Above Threshold
EU REACH Regulation (EC) No. 1907/2006	Current ECHA Candidate List: JUN 2020 (209) Candidate List Declared Against: JUL 2019 (201) Does not contain REACH SVHC
Halogen Content	Low Halogen - Br, Cl, F, I < 900 ppm per homogenous material. Also BFR/CFR/PVC Free
Solder Process Capability	Not applicable for solder process capability

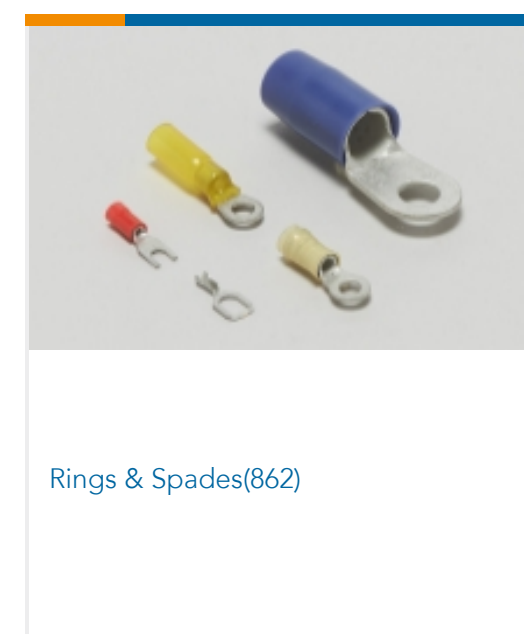
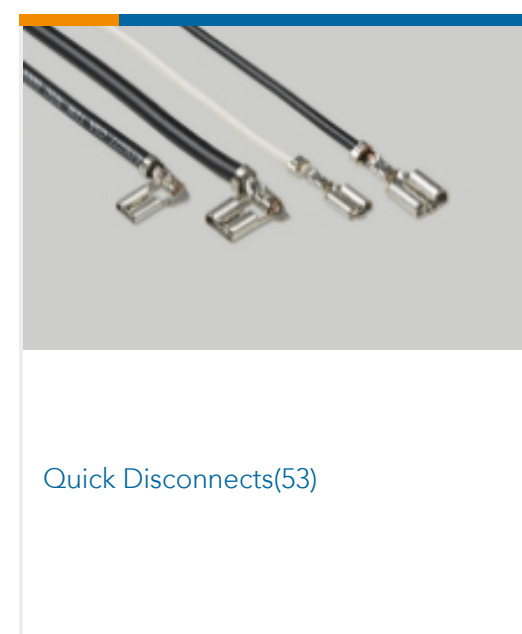
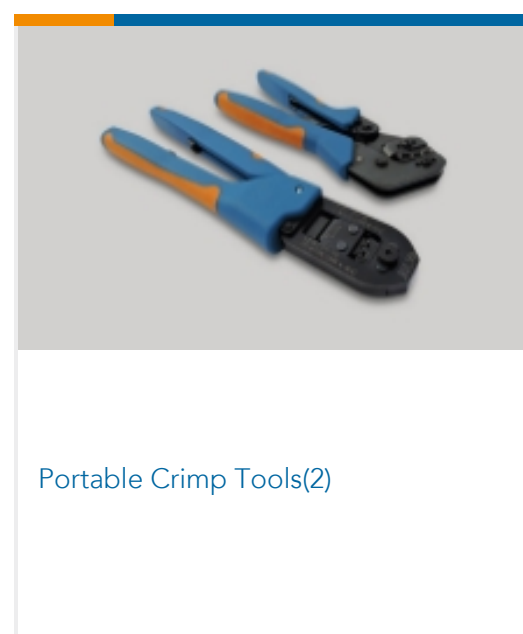
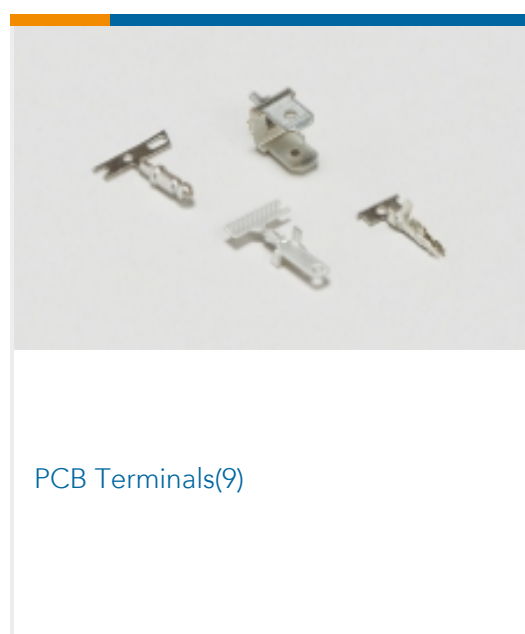
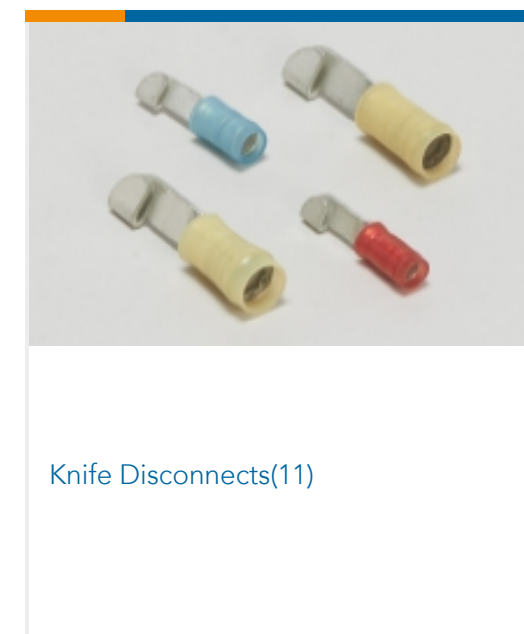
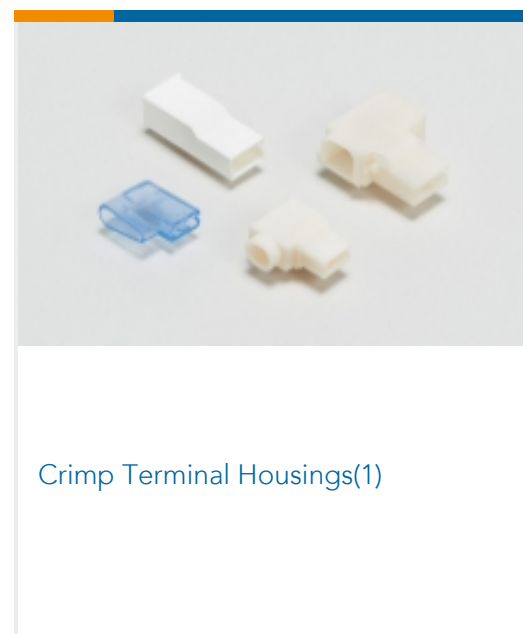
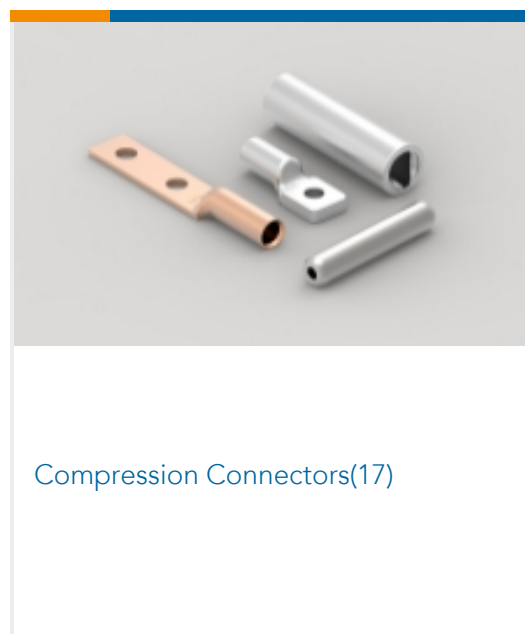
Product Compliance Disclaimer

This information is provided based on reasonable inquiry of our suppliers and represents our current actual knowledge based on the information they provided. This information is subject to change. The part numbers that TE has identified as EU RoHS compliant have a maximum concentration of 0.1% by weight in homogenous materials for lead, hexavalent chromium, mercury, PBB, PBDE, DBP, BBP, DEHP, DIBP, and 0.01% for cadmium, or qualify for an exemption to these limits as defined in the Annexes of Directive 2011/65/EU (RoHS2). Finished electrical and electronic equipment products will be CE marked as required by Directive 2011/65/EU. Components may not be CE marked. Additionally, the part numbers that TE has identified as EU ELV compliant have a maximum concentration of 0.1% by weight in homogenous materials for lead, hexavalent chromium, and mercury, and 0.01% for cadmium, or qualify for an exemption to these limits as defined in the Annexes of Directive 2000/53/EC (ELV). Regarding the REACH Regulation, the information TE provides on SVHC in articles for this part number is based on the latest European Chemicals Agency (ECHA) 'Guidance on requirements for substances in articles' posted at this URL: <https://echa.europa.eu/guidance-documents/guidance-on-reach>

Compatible Parts



Also in the Series | PIDG





Special Purpose Terminals(1)



Splices(48)

Customers Also Bought



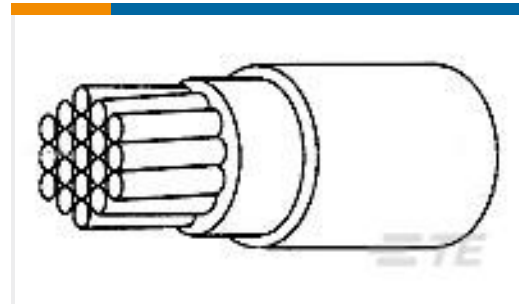
TE Model / Part #152895
20 PIDG RT NO 6 STUD PURPL



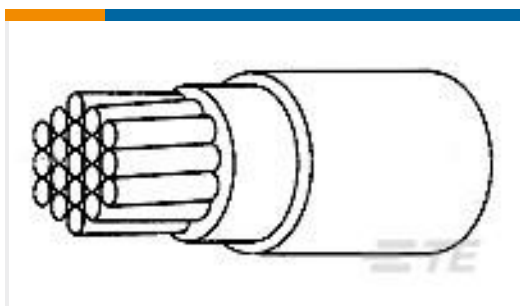
TE Model / Part #152894
20 PIDG NYLON RT NO 8 STUD



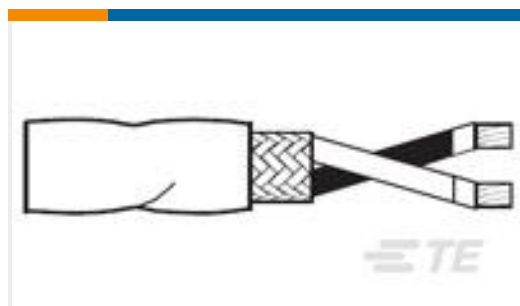
TE Model / Part #152881
18-16 PIDG RT NO 10STUD ORANGE



TE Model / Part #1631693001
99M0111-12-2L



TE Model / Part #1151453001
99M0111-26-2L



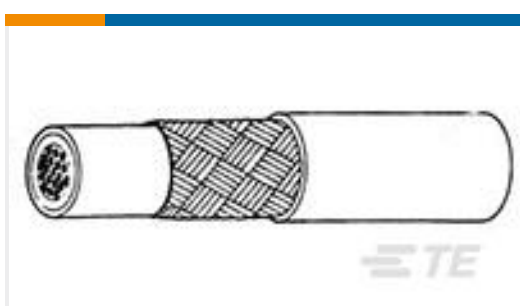
TE Model / Part #8065613001
99M1121-22-0/9-0



TE Model / Part #8549033001
99M0121-24-0/2L



TE Model / Part #9006023001
ZHI15-25-0



TE Model / Part #CQ05223001
55A1811-20-9-9CK5050



TE Model / Part #4955073001
99M0121-22-2/6

Documents

Product Drawings

SIZE 20 PIDG R/T NO.10 NYLON

English

Datasheets & Catalog Pages

RADIATION_RESISTANT_PRE-INSULATED_TERMINALS_SPLICES

English

Product Specifications



Application Specification

English