

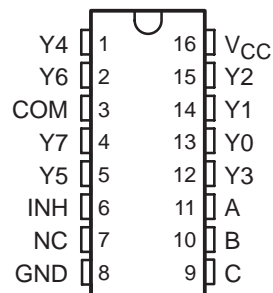
SN74HC4851

8-CHANNEL ANALOG MULTIPLEXER/DEMULTIPLEXER WITH INJECTION-CURRENT EFFECT CONTROL

SCLS542B – SEPTEMBER 2003 – REVISED JANUARY 2004

- Injection-Current Cross Coupling <math><1\text{mV/mA}</math> (see Figure 1)
- Low Crosstalk Between Switches
- Pin Compatible With SN74HC4051, SN74LV4051A, and CD4051B
- 2-V to 6-V V_{CC} Operation
- Latch-Up Performance Exceeds 100 mA Per JESD 78, Class II
- ESD Protection Exceeds JESD 22
 - 2000-V Human-Body Model (A114-A)
 - 200-V Machine Model (A115-A)
 - 1000-V Charged-Device Model (C101)

D, DGV, N, OR PW PACKAGE
(TOP VIEW)



NC – No internal connection

description/ordering information

This eight-channel CMOS analog multiplexer/demultiplexer is pin compatible with the '4051 function and, additionally, features injection-current effect control, which has excellent value in automotive applications where voltages in excess of normal supply voltages are common.

The injection-current effect control allows signals at disabled analog input channels to exceed the supply voltage without affecting the signal of the enabled analog channel. This eliminates the need for external diode/resistor networks typically used to keep the analog channel signals within the supply-voltage range.

ORDERING INFORMATION

T_A	PACKAGE†		ORDERABLE PART NUMBER	TOP-SIDE MARKING
–40°C to 125°C	PDIP – N	Tube	SN74HC4851N	HC4851N
	SOIC – D	Tube	SN74HC4851D	HC4851
		Tape and reel	SN74HC4851DR	
	TSSOP – PW	Tube	SN74HC4851PW	HC4851
		Tape and reel	SN74HC4851PWR	
	TVSOP – DGV	Tape and reel	SN74HC4851DGVR	HC4851

† Package drawings, standard packing quantities, thermal data, symbolization, and PCB design guidelines are available at www.ti.com/sc/package.



Please be aware that an important notice concerning availability, standard warranty, and use in critical applications of Texas Instruments semiconductor products and disclaimers thereto appears at the end of this data sheet.

PRODUCTION DATA information is current as of publication date. Products conform to specifications per the terms of Texas Instruments standard warranty. Production processing does not necessarily include testing of all parameters.

**TEXAS
INSTRUMENTS**

POST OFFICE BOX 655303 • DALLAS, TEXAS 75265

Copyright © 2004, Texas Instruments Incorporated

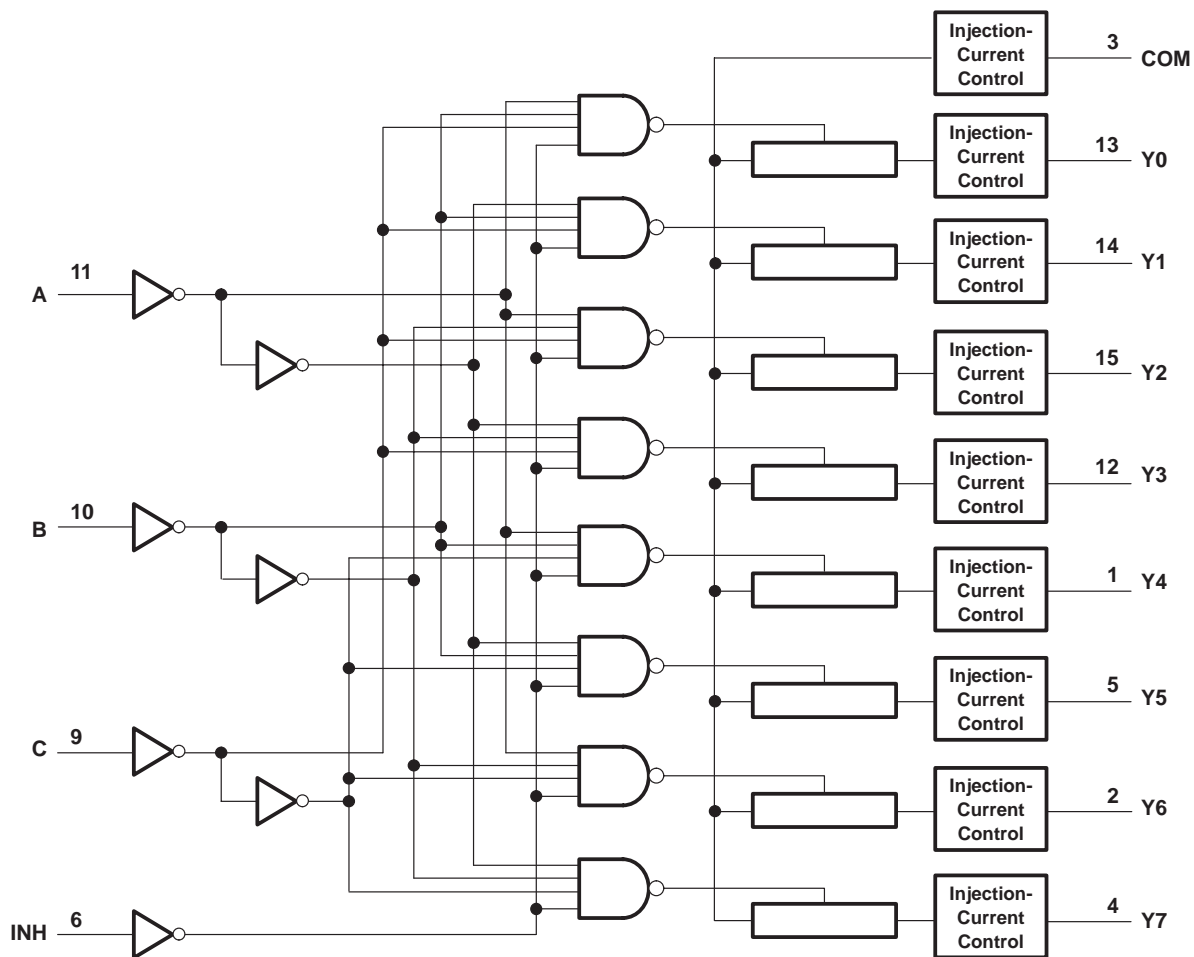
SN74HC4851
8-CHANNEL ANALOG MULTIPLEXER/DEMULTIPLEXER
WITH INJECTION-CURRENT EFFECT CONTROL

SCLS542B – SEPTEMBER 2003 – REVISED JANUARY 2004

FUNCTION TABLE

INPUTS				ON CHANNEL
INH	C	B	A	
L	L	L	L	Y0
L	L	L	H	Y1
L	L	H	L	Y2
L	L	H	H	Y3
L	H	L	L	Y4
L	H	L	H	Y5
L	H	H	L	Y6
L	H	H	H	Y7
H	X	X	X	None

logic diagram (positive logic)



SN74HC4851

8-CHANNEL ANALOG MULTIPLEXER/DEMULTIPLEXER WITH INJECTION-CURRENT EFFECT CONTROL

SCLS542B – SEPTEMBER 2003 – REVISED JANUARY 2004

absolute maximum ratings over operating free-air temperature range (unless otherwise noted)†

Supply voltage range, V_{CC}	–0.5 V to 7 V
Input voltage range, V_I (see Note 1)	–0.5 V to $V_{CC} + 0.5$ V
Switch I/O voltage range, V_{IO} (see Notes 1 and 2)	–0.5 V to $V_{CC} + 0.5$ V
Input clamp current, I_{IK} ($V_I < 0$ or $V_I > V_{CC}$)	±20 mA
I/O diode current, I_{IOK} ($V_{IO} < 0$ or $V_{IO} > V_{CC}$)	±20 mA
Switch through current, I_T ($V_{IO} = 0$ to V_{CC})	±25 mA
Continuous current through V_{CC} or GND	±50 mA
Package thermal impedance, θ_{JA} (see Note 3): D package	73°C/W
DGV package	120°C/W
N package	67°C/W
PW package	108°C/W
Storage temperature range, T_{stg}	–65°C to 150°C

† Stresses beyond those listed under “absolute maximum ratings” may cause permanent damage to the device. These are stress ratings only, and functional operation of the device at these or any other conditions beyond those indicated under “recommended operating conditions” is not implied. Exposure to absolute-maximum-rated conditions for extended periods may affect device reliability.

- NOTES: 1. The input and output voltage ratings may be exceeded if the input and output current ratings are observed.
 2. This value is limited to 5.5 V maximum.
 3. The package thermal impedance is calculated in accordance with JESD 51-7.

recommended operating conditions (see Note 4)

		MIN	MAX	UNIT
V_{CC}	Supply voltage	2	6	V
V_{IH}	High-level input voltage, control inputs	$V_{CC} = 2$ V	1.5	V
		$V_{CC} = 3$ V	2.1	
		$V_{CC} = 3.3$ V	2.3	
		$V_{CC} = 4.5$ V	3.15	
		$V_{CC} = 6$ V	4.2	
V_{IL}	Low-level input voltage, control inputs	$V_{CC} = 2$ V	0.5	V
		$V_{CC} = 3$ V	0.9	
		$V_{CC} = 3.3$ V	1	
		$V_{CC} = 4.5$ V	1.35	
		$V_{CC} = 6$ V	1.8	
V_I	Control input voltage	0	V_{CC}	V
V_{IO}	Input/output voltage	0	V_{CC}	V
$\Delta t/\Delta v$	Input transition rise or fall time	$V_{CC} = 2$ V	1000	ns
		$V_{CC} = 3$ V	800	
		$V_{CC} = 3.3$ V	700	
		$V_{CC} = 4.5$ V	500	
		$V_{CC} = 6$ V	400	
T_A	Operating free-air temperature	–40	125	°C

NOTE 4: All unused inputs of the device must be held at V_{CC} or GND to ensure proper device operation. Refer to the TI application report, *Implications of Slow or Floating CMOS Inputs*, literature number SCBA004.



SN74HC4851

8-CHANNEL ANALOG MULTIPLEXER/DEMULTIPLEXER WITH INJECTION-CURRENT EFFECT CONTROL

SCLS542B – SEPTEMBER 2003 – REVISED JANUARY 2004

electrical characteristics over recommended operating free-air temperature range (unless otherwise noted)

PARAMETER		TEST CONDITIONS	V _{CC}	T _A = 25°C			UP TO 85°C		UP TO 125°C		UNIT
				MIN	TYP	MAX	MIN	MAX	MIN	MAX	
r _{on}	On-state switch resistance	I _T ≤ 2 mA, V _I = V _{CC} to GND, V _{INH} = V _{IL} (see Figure 5)	2. V	500	650		670	700	Ω		
			3 V	215	280		320	360			
			3.3 V	210	270		305	345			
			4.5 V	160	210		240	270			
			6 V	150	195		220	250			
Δr _{on}	Difference in on-state resistance between switches	I _T ≤ 2 mA, V _I = V _{CC} /2, V _{INH} = V _{IL}	2. V	4	10		15	20	Ω		
			3 V	2	8		12	16			
			3.3 V	2	8		12	16			
			4.5 V	2	8		12	16			
			6 V	3	9		13	18			
I _I	Control input current	V _I = V _{CC} or GND	6 V		±0.1		±0.1	±1	μA		
I _{S(off)}	Off-state switch leakage current (any one channel)	V _I = V _{CC} or GND, V _{INH} = V _{IH} (see Figure 6)	6 V		±0.1		±0.5	±1	μA		
	Off-state switch leakage current (common channel)	V _I = V _{CC} or GND, V _{INH} = V _{IH} (see Figure 7)			±0.2		±2	±4			
I _{S(on)}	On-state switch leakage current	V _I = V _{CC} or GND, V _{INH} = V _{IL} (see Figure 8)	6 V		±0.1		±0.5	±1	μA		
I _{CC}	Supply current	V _I = V _{CC} or GND	6 V		2		20	40	μA		
C _{IC}	Control input capacitance	A, B, C, INH			3.5	10	10	10	pF		
C _{IS}	Common terminal capacitance	Switch off			22	40	40	40	pF		
C _{OS}	Switch terminal capacitance	Switch off			6.7	15	15	15	pF		

injection current coupling specifications, T_A = -40°C to 125°C

PARAMETER		V _{CC}	TEST CONDITIONS		MIN	TYP†	MAX	UNIT
V _{Δout}	Maximum shift of output voltage of enabled analog channel	3.3 V	R _S ≤ 3.9 kΩ	I _I ‡ ≤ 1 mA	0.05	1	mV	
		5 V			0.1	1		
		3.3 V		R _S ≤ 3.9 kΩ	I _I ‡ ≤ 10 mA	0.345		5
		5 V				0.067		5
		3.3 V	R _S ≤ 20 kΩ	I _I ‡ ≤ 1 mA	0.05	2		
		5 V			0.11	2		
		3.3 V		R _S ≤ 20 kΩ	I _I ‡ ≤ 10 mA	0.05		20
		5 V				0.024		20

† Typical values are measured at T_A = 25°C.

‡ I_I = total current injected into all disabled channels



SN74HC4851
8-CHANNEL ANALOG MULTIPLEXER/DEMULTIPLEXER
WITH INJECTION-CURRENT EFFECT CONTROL

SCLS542B – SEPTEMBER 2003 – REVISED JANUARY 2004

switching characteristics over recommended operating free-air temperature range,
 $V_{CC} = 2\text{ V}$, $C_L = 50\text{ pF}$ (unless otherwise noted) (see Figures 9–14)

PARAMETER	FROM (INPUT)	TO (OUTPUT)	$T_A = 25^\circ\text{C}$			UP TO 85°C		UP TO 125°C		UNIT
			MIN	TYP	MAX	MIN	MAX	MIN	MAX	
t _{PLH} t _{PHL}	Propagation delay time	COM or Y _n		19.5	25		29		32	ns
t _{PLH} t _{PHL}	Propagation delay time	Channel Select		23	30		35		40	ns
t _{PZH} t _{PZL}	Enable delay time	INH			95		105		115	ns
t _{PHZ} t _{PLZ}	Disable delay time	INH			95		105		115	ns

switching characteristics over recommended operating free-air temperature range,
 $V_{CC} = 3\text{ V}$, $C_L = 50\text{ pF}$ (unless otherwise noted) (see Figures 9–14)

PARAMETER	FROM (INPUT)	TO (OUTPUT)	$T_A = 25^\circ\text{C}$			UP TO 85°C		UP TO 125°C		UNIT
			MIN	TYP	MAX	MIN	MAX	MIN	MAX	
t _{PLH} t _{PHL}	Propagation delay time	COM or Y _n		12	15.5		17.5		19.5	ns
t _{PLH} t _{PHL}	Propagation delay time	Channel Select		13.5	17.5		20		23	ns
t _{PZH} t _{PZL}	Enable delay time	INH			90		100		110	ns
t _{PHZ} t _{PLZ}	Disable delay time	INH			90		100		110	ns

switching characteristics over recommended operating free-air temperature range,
 $V_{CC} = 3.3\text{ V}$, $C_L = 50\text{ pF}$ (unless otherwise noted) (see Figures 9–14)

PARAMETER	FROM (INPUT)	TO (OUTPUT)	$T_A = 25^\circ\text{C}$			UP TO 85°C		UP TO 125°C		UNIT
			MIN	TYP	MAX	MIN	MAX	MIN	MAX	
t _{PLH} t _{PHL}	Propagation delay time	COM or Y _n		11	14.5		16.5		18.5	ns
t _{PLH} t _{PHL}	Propagation delay time	Channel Select		12.5	16.5		19		22	ns
t _{PZH} t _{PZL}	Enable delay time	INH			85		95		105	ns
t _{PHZ} t _{PLZ}	Disable delay time	INH			85		95		105	ns

SN74HC4851
8-CHANNEL ANALOG MULTIPLEXER/DEMUTIPLEXER
WITH INJECTION-CURRENT EFFECT CONTROL

SCLS542B – SEPTEMBER 2003 – REVISED JANUARY 2004

switching characteristics over recommended operating free-air temperature range,
 $V_{CC} = 4.5\text{ V}$, $C_L = 50\text{ pF}$ (unless otherwise noted) (see Figures 9–14)

PARAMETER	FROM (INPUT)	TO (OUTPUT)	$T_A = 25^\circ\text{C}$			UP TO 85°C		UP TO 125°C		UNIT
			MIN	TYP	MAX	MIN	MAX	MIN	MAX	
tPLH tPHL	Propagation delay time	COM or Yn		8.6	11.5		12.5		13.5	ns
tPLH tPHL	Propagation delay time	Channel Select		10	13		15		17	ns
tPZH tPZL	Enable delay time	INH			80		90		100	ns
tPHZ tPLZ	Disable delay time	INH			80		90		100	ns

switching characteristics over recommended operating free-air temperature range,
 $V_{CC} = 6\text{ V}$, $C_L = 50\text{ pF}$ (unless otherwise noted) (see Figures 9–14)

PARAMETER	FROM (INPUT)	TO (OUTPUT)	$T_A = 25^\circ\text{C}$			UP TO 85°C		UP TO 125°C		UNIT
			MIN	TYP	MAX	MIN	MAX	MIN	MAX	
tPLH tPHL	Propagation delay time	COM or Yn		8	10		11		12	ns
tPLH tPHL	Propagation delay time	Channel Select		9.5	12.5		14.5		16.5	ns
tPZH tPZL	Enable delay time	INH			78		80		80	ns
tPHZ tPLZ	Disable delay time	INH			78		80		80	ns

operating characteristics, $T_A = 25^\circ\text{C}$ (see Figure 15)

PARAMETER	V_{CC}	TEST CONDITIONS	TYP	UNIT
C _{pd} Power dissipation capacitance	3.3 V	No load	32	pF
	5 V		37	



SN74HC4851
8-CHANNEL ANALOG MULTIPLEXER/DEMULTIPLEXER
WITH INJECTION-CURRENT EFFECT CONTROL

SCLS542B – SEPTEMBER 2003 – REVISED JANUARY 2004

APPLICATION INFORMATION

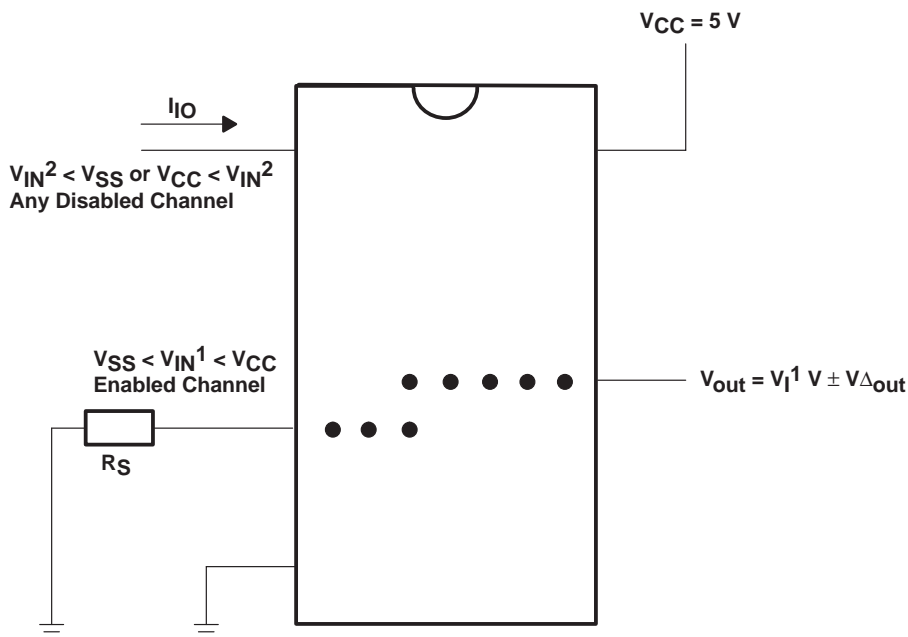


Figure 1. Injection-Current Coupling Specification

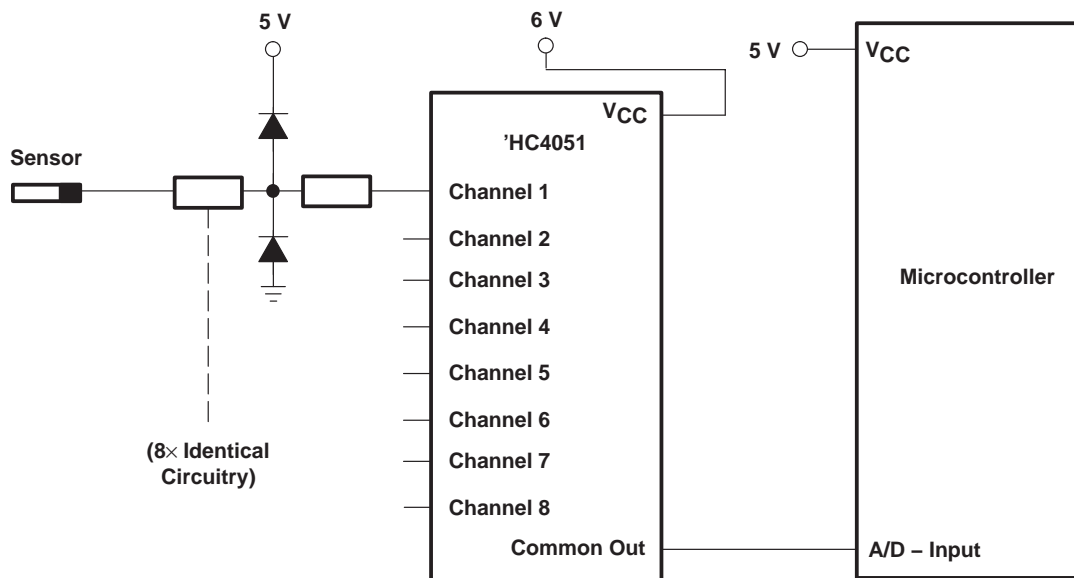


Figure 2. Alternate Solution Requires 32 Passive Components and One Extra 6-V Regulator to Suppress Injection Current Into a Standard 'HC4051 Multiplexer

SN74HC4851
8-CHANNEL ANALOG MULTIPLEXER/DEMULTIPLEXER
WITH INJECTION-CURRENT EFFECT CONTROL

SCLS542B – SEPTEMBER 2003 – REVISED JANUARY 2004

APPLICATION INFORMATION

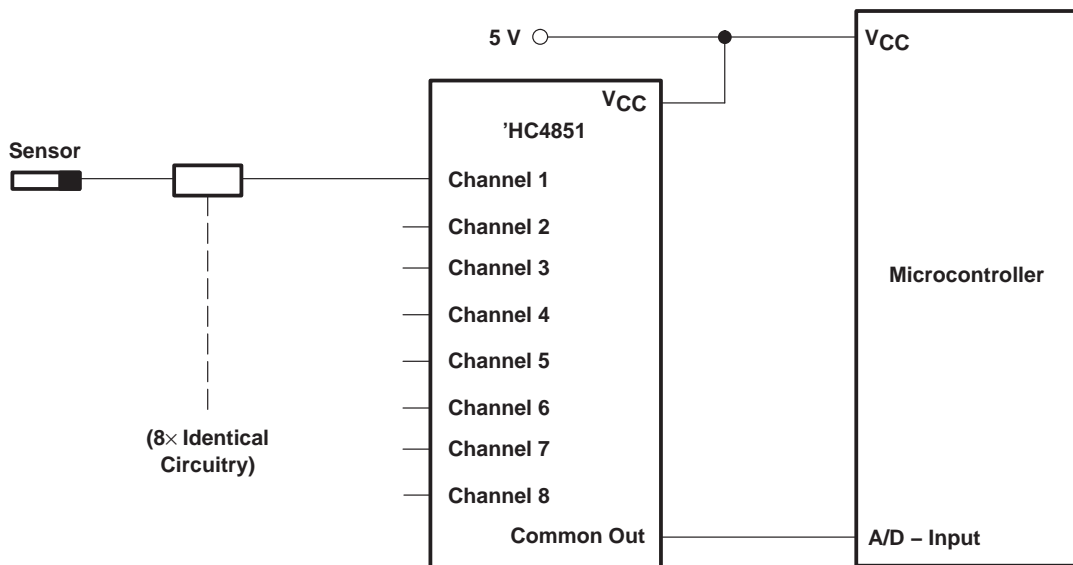


Figure 3. Solution by Applying the 'HC4851 Multiplexer

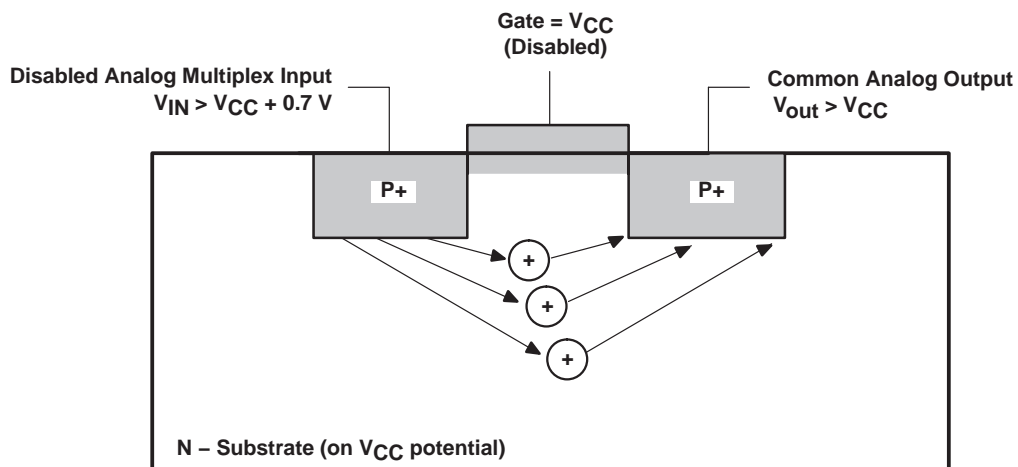


Figure 4. Diagram of Bipolar Coupling Mechanism
(Appears if V_{IN} Exceeds V_{CC} , Driving Injection Current Into the Substrate)

PARAMETER MEASUREMENT INFORMATION

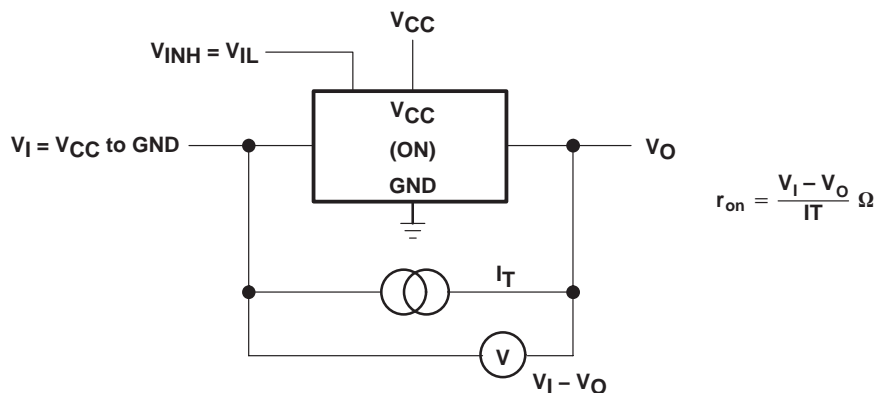


Figure 5. On-State-Resistance Test Circuit

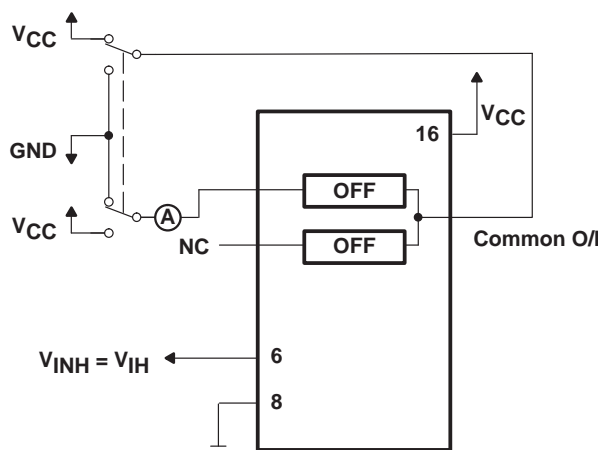


Figure 6. Maximum Off-Channel Leakage Current, Any One Channel, Test Setup

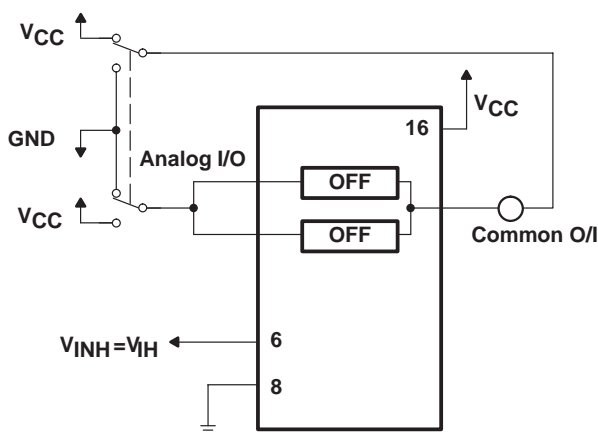


Figure 7. Maximum Off-Channel Leakage Current, Common Channel, Test Setup

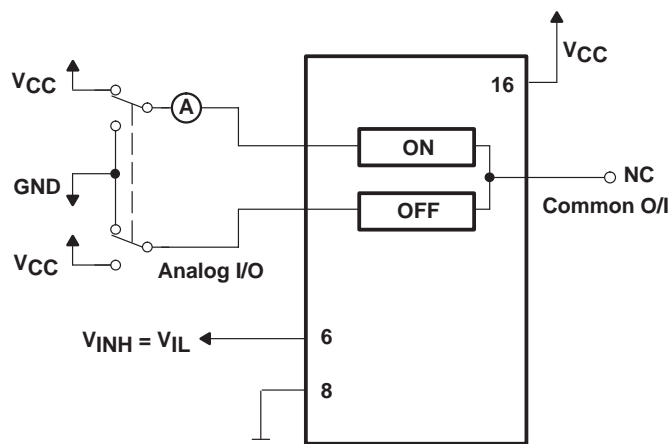


Figure 8. Maximum On-Channel Leakage Current, Channel To Channel, Test Setup

SN74HC4851
8-CHANNEL ANALOG MULTIPLEXER/DEMULTIPLEXER
WITH INJECTION-CURRENT EFFECT CONTROL

SCLS542B – SEPTEMBER 2003 – REVISED JANUARY 2004

PARAMETER MEASUREMENT INFORMATION

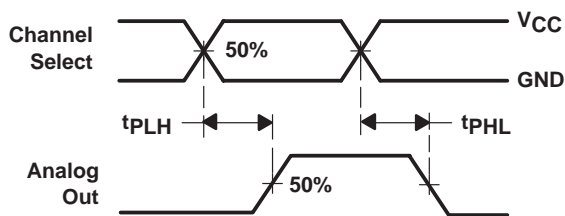


Figure 9. Propagation Delays, Channel Select to Analog Out

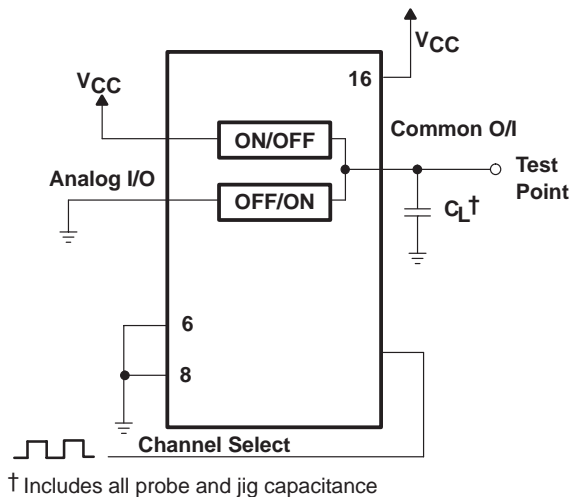


Figure 10. Propagation-Delay Test Setup, Channel Select to Analog Out

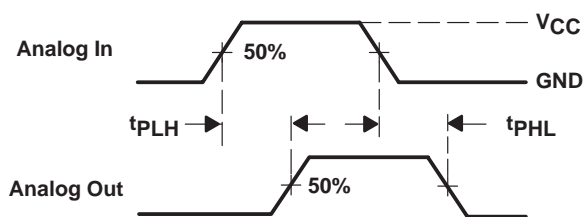


Figure 11. Propagation Delays, Analog In to Analog Out

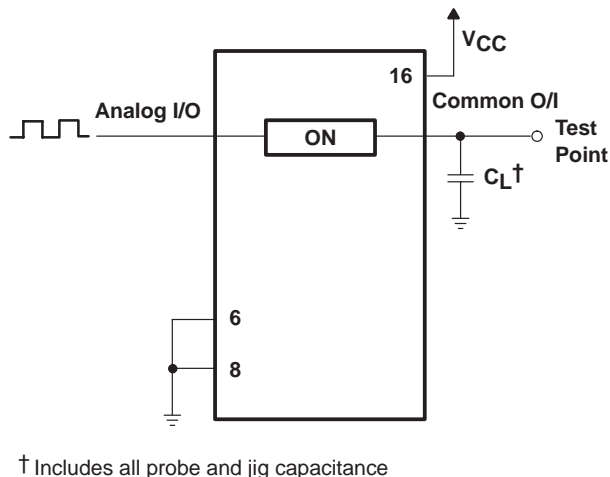


Figure 12. Propagation-Delay Test Setup, Analog In to Analog Out

PARAMETER MEASUREMENT INFORMATION

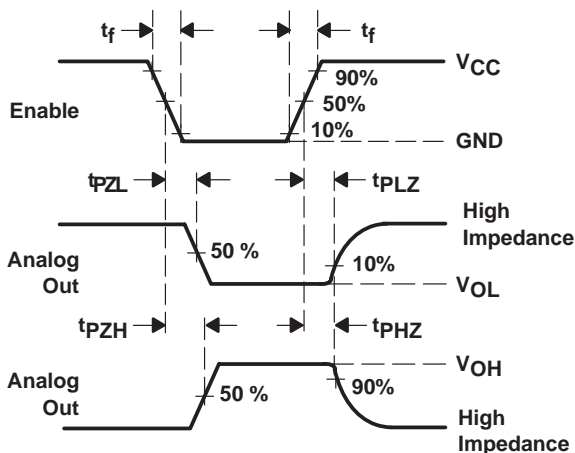


Figure 13. Propagation Delays, Enable to Analog Out

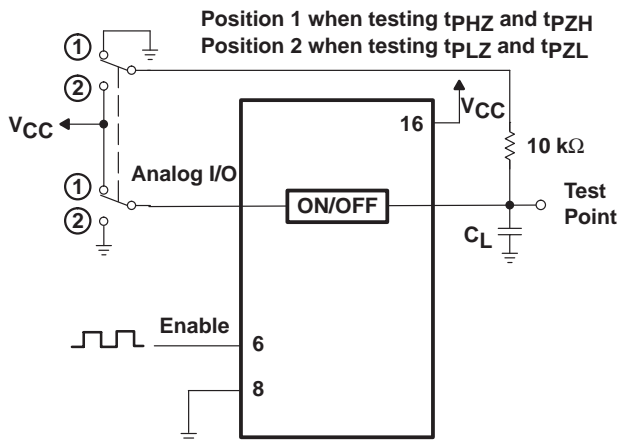


Figure 14. Propagation-Delay Test Setup, Enable to Analog Out

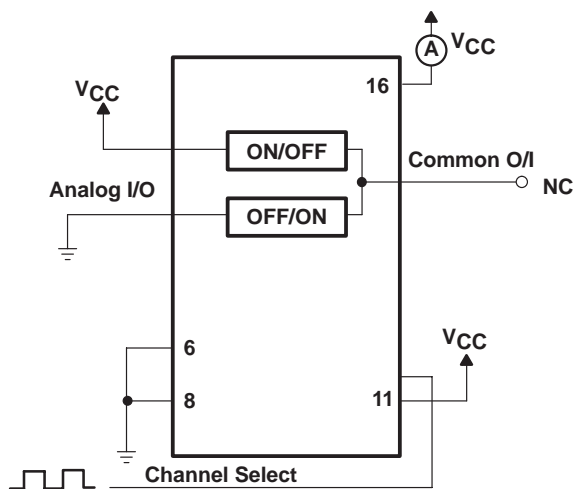


Figure 15. Power-Dissipation Capacitance Test Setup

PACKAGING INFORMATION

Orderable Device	Status (1)	Package Type	Package Drawing	Pins	Package Qty	Eco Plan (2)	Lead finish/ Ball material (6)	MSL Peak Temp (3)	Op Temp (°C)	Device Marking (4/5)	Samples
SN74HC4851D	LIFEBUY	SOIC	D	16	40	RoHS & Green	NIPDAU	Level-1-260C-UNLIM	-40 to 125	HC4851	
SN74HC4851DGVR	LIFEBUY	TVSOP	DGV	16	2000	RoHS & Green	NIPDAU	Level-1-260C-UNLIM	-40 to 125	HC4851	
SN74HC4851DR	LIFEBUY	SOIC	D	16	2500	RoHS & Green	NIPDAU SN	Level-1-260C-UNLIM	-40 to 125	HC4851	
SN74HC4851DRG4	LIFEBUY	SOIC	D	16	2500	RoHS & Green	NIPDAU	Level-1-260C-UNLIM	-40 to 125	HC4851	
SN74HC4851N	LIFEBUY	PDIP	N	16	25	RoHS & Green	NIPDAU	N / A for Pkg Type	-40 to 125	SN74HC4851N	
SN74HC4851PW	LIFEBUY	TSSOP	PW	16	90	RoHS & Green	NIPDAU	Level-1-260C-UNLIM	-40 to 125	HC4851	
SN74HC4851PWR	ACTIVE	TSSOP	PW	16	2000	RoHS & Green	NIPDAU SN	Level-1-260C-UNLIM	-40 to 125	HC4851	Samples
SN74HC4851PWRG4	LIFEBUY	TSSOP	PW	16	2000	RoHS & Green	NIPDAU	Level-1-260C-UNLIM	-40 to 125	HC4851	

(1) The marketing status values are defined as follows:

ACTIVE: Product device recommended for new designs.

LIFEBUY: TI has announced that the device will be discontinued, and a lifetime-buy period is in effect.

NRND: Not recommended for new designs. Device is in production to support existing customers, but TI does not recommend using this part in a new design.

PREVIEW: Device has been announced but is not in production. Samples may or may not be available.

OBSELETE: TI has discontinued the production of the device.

(2) **RoHS:** TI defines "RoHS" to mean semiconductor products that are compliant with the current EU RoHS requirements for all 10 RoHS substances, including the requirement that RoHS substance do not exceed 0.1% by weight in homogeneous materials. Where designed to be soldered at high temperatures, "RoHS" products are suitable for use in specified lead-free processes. TI may reference these types of products as "Pb-Free".

RoHS Exempt: TI defines "RoHS Exempt" to mean products that contain lead but are compliant with EU RoHS pursuant to a specific EU RoHS exemption.

Green: TI defines "Green" to mean the content of Chlorine (Cl) and Bromine (Br) based flame retardants meet JS709B low halogen requirements of <=1000ppm threshold. Antimony trioxide based flame retardants must also meet the <=1000ppm threshold requirement.

(3) MSL, Peak Temp. - The Moisture Sensitivity Level rating according to the JEDEC industry standard classifications, and peak solder temperature.

(4) There may be additional marking, which relates to the logo, the lot trace code information, or the environmental category on the device.

(5) Multiple Device Markings will be inside parentheses. Only one Device Marking contained in parentheses and separated by a "-" will appear on a device. If a line is indented then it is a continuation of the previous line and the two combined represent the entire Device Marking for that device.

(6) Lead finish/Ball material - Orderable Devices may have multiple material finish options. Finish options are separated by a vertical ruled line. Lead finish/Ball material values may wrap to two lines if the finish value exceeds the maximum column width.

Important Information and Disclaimer: The information provided on this page represents TI's knowledge and belief as of the date that it is provided. TI bases its knowledge and belief on information provided by third parties, and makes no representation or warranty as to the accuracy of such information. Efforts are underway to better integrate information from third parties. TI has taken and continues to take reasonable steps to provide representative and accurate information but may not have conducted destructive testing or chemical analysis on incoming materials and chemicals. TI and TI suppliers consider certain information to be proprietary, and thus CAS numbers and other limited information may not be available for release.

In no event shall TI's liability arising out of such information exceed the total purchase price of the TI part(s) at issue in this document sold by TI to Customer on an annual basis.

OTHER QUALIFIED VERSIONS OF SN74HC4851 :

- Automotive : [SN74HC4851-Q1](#)

NOTE: Qualified Version Definitions:

- Automotive - Q100 devices qualified for high-reliability automotive applications targeting zero defects

TAPE AND REEL INFORMATION

QUADRANT ASSIGNMENTS FOR PIN 1 ORIENTATION IN TAPE


*All dimensions are nominal

Device	Package Type	Package Drawing	Pins	SPQ	Reel Diameter (mm)	Reel Width W1 (mm)	A0 (mm)	B0 (mm)	K0 (mm)	P1 (mm)	W (mm)	Pin1 Quadrant
SN74HC4851DGVR	TVSOP	DGV	16	2000	330.0	12.4	6.8	4.0	1.6	8.0	12.0	Q1
SN74HC4851DR	SOIC	D	16	2500	330.0	16.4	6.5	10.3	2.1	8.0	16.0	Q1
SN74HC4851DRG4	SOIC	D	16	2500	330.0	16.4	6.5	10.3	2.1	8.0	16.0	Q1
SN74HC4851PWR	TSSOP	PW	16	2000	330.0	12.4	6.9	5.6	1.6	8.0	12.0	Q1
SN74HC4851PWRG4	TSSOP	PW	16	2000	330.0	12.4	6.9	5.6	1.6	8.0	12.0	Q1

TAPE AND REEL BOX DIMENSIONS


*All dimensions are nominal

Device	Package Type	Package Drawing	Pins	SPQ	Length (mm)	Width (mm)	Height (mm)
SN74HC4851DGVR	TVSOP	DGV	16	2000	356.0	356.0	35.0
SN74HC4851DR	SOIC	D	16	2500	340.5	336.1	32.0
SN74HC4851DRG4	SOIC	D	16	2500	340.5	336.1	32.0
SN74HC4851PWR	TSSOP	PW	16	2000	356.0	356.0	35.0
SN74HC4851PWRG4	TSSOP	PW	16	2000	356.0	356.0	35.0

TUBE


*All dimensions are nominal



Device	Package Name	Package Type	Pins	SPQ	L (mm)	W (mm)	T (μm)	B (mm)
SN74HC4851D	D	SOIC	16	40	507	8	3940	4.32
SN74HC4851N	N	PDIP	16	25	506	13.97	11230	4.32
SN74HC4851PW	PW	TSSOP	16	90	530	10.2	3600	3.5

D (R-PDSO-G16)

PLASTIC SMALL OUTLINE



4040047-6/M 06/11

- NOTES:
- A. All linear dimensions are in inches (millimeters).
 - B. This drawing is subject to change without notice.
 -  C. Body length does not include mold flash, protrusions, or gate burrs. Mold flash, protrusions, or gate burrs shall not exceed 0.006 (0,15) each side.
 -  D. Body width does not include interlead flash. Interlead flash shall not exceed 0.017 (0,43) each side.
 - E. Reference JEDEC MS-012 variation AC.

D (R-PDSO-G16)

PLASTIC SMALL OUTLINE



- NOTES:
- A. All linear dimensions are in millimeters.
 - B. This drawing is subject to change without notice.
 - C. Publication IPC-7351 is recommended for alternate designs.
 - D. Laser cutting apertures with trapezoidal walls and also rounding corners will offer better paste release. Customers should contact their board assembly site for stencil design recommendations. Refer to IPC-7525 for other stencil recommendations.
 - E. Customers should contact their board fabrication site for solder mask tolerances between and around signal pads.



4220204/A 02/2017

NOTES:

1. All linear dimensions are in millimeters. Any dimensions in parenthesis are for reference only. Dimensioning and tolerancing per ASME Y14.5M.
2. This drawing is subject to change without notice.
3. This dimension does not include mold flash, protrusions, or gate burrs. Mold flash, protrusions, or gate burrs shall not exceed 0.15 mm per side.
4. This dimension does not include interlead flash. Interlead flash shall not exceed 0.25 mm per side.
5. Reference JEDEC registration MO-153.

EXAMPLE BOARD LAYOUT

PW0016A

TSSOP - 1.2 mm max height

SMALL OUTLINE PACKAGE



LAND PATTERN EXAMPLE
EXPOSED METAL SHOWN
SCALE: 10X



SOLDER MASK DETAILS

4220204/A 02/2017

NOTES: (continued)

- 6. Publication IPC-7351 may have alternate designs.
- 7. Solder mask tolerances between and around signal pads can vary based on board fabrication site.

EXAMPLE STENCIL DESIGN

PW0016A

TSSOP - 1.2 mm max height

SMALL OUTLINE PACKAGE



SOLDER PASTE EXAMPLE
BASED ON 0.125 mm THICK STENCIL
SCALE: 10X

4220204/A 02/2017

NOTES: (continued)

8. Laser cutting apertures with trapezoidal walls and rounded corners may offer better paste release. IPC-7525 may have alternate design recommendations.
9. Board assembly site may have different recommendations for stencil design.

DGV (R-PDSO-G**)

PLASTIC SMALL-OUTLINE

24 PINS SHOWN



4073251/E 08/00

- NOTES: A. All linear dimensions are in millimeters.
 B. This drawing is subject to change without notice.
 C. Body dimensions do not include mold flash or protrusion, not to exceed 0,15 per side.
 D. Falls within JEDEC: 24/48 Pins – MO-153
 14/16/20/56 Pins – MO-194

N (R-PDIP-T**)

PLASTIC DUAL-IN-LINE PACKAGE

16 PINS SHOWN



- NOTES:
- A. All linear dimensions are in inches (millimeters).
 - B. This drawing is subject to change without notice.
 - Falls within JEDEC MS-001, except 18 and 20 pin minimum body length (Dim A).
 - The 20 pin end lead shoulder width is a vendor option, either half or full width.

IMPORTANT NOTICE AND DISCLAIMER

TI PROVIDES TECHNICAL AND RELIABILITY DATA (INCLUDING DATA SHEETS), DESIGN RESOURCES (INCLUDING REFERENCE DESIGNS), APPLICATION OR OTHER DESIGN ADVICE, WEB TOOLS, SAFETY INFORMATION, AND OTHER RESOURCES "AS IS" AND WITH ALL FAULTS, AND DISCLAIMS ALL WARRANTIES, EXPRESS AND IMPLIED, INCLUDING WITHOUT LIMITATION ANY IMPLIED WARRANTIES OF MERCHANTABILITY, FITNESS FOR A PARTICULAR PURPOSE OR NON-INFRINGEMENT OF THIRD PARTY INTELLECTUAL PROPERTY RIGHTS.

These resources are intended for skilled developers designing with TI products. You are solely responsible for (1) selecting the appropriate TI products for your application, (2) designing, validating and testing your application, and (3) ensuring your application meets applicable standards, and any other safety, security, regulatory or other requirements.

These resources are subject to change without notice. TI grants you permission to use these resources only for development of an application that uses the TI products described in the resource. Other reproduction and display of these resources is prohibited. No license is granted to any other TI intellectual property right or to any third party intellectual property right. TI disclaims responsibility for, and you will fully indemnify TI and its representatives against, any claims, damages, costs, losses, and liabilities arising out of your use of these resources.

TI's products are provided subject to [TI's Terms of Sale](#) or other applicable terms available either on [ti.com](https://www.ti.com) or provided in conjunction with such TI products. TI's provision of these resources does not expand or otherwise alter TI's applicable warranties or warranty disclaimers for TI products.

TI objects to and rejects any additional or different terms you may have proposed.

Mailing Address: Texas Instruments, Post Office Box 655303, Dallas, Texas 75265
Copyright © 2023, Texas Instruments Incorporated