

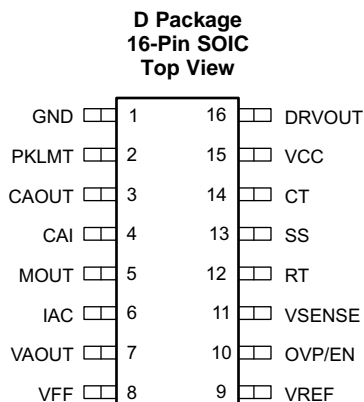
Table of Contents

1 Features	1	7.2 Feature Description.....	7
2 Applications	1	8 Application and Implementation	10
3 Description	1	8.1 Application Information.....	10
4 Revision History	2	8.2 Typical Application	11
5 Pin Configuration and Functions	3	9 Device and Documentation Support	20
6 Specifications	4	9.1 Device Support.....	20
6.1 Absolute Maximum Ratings	4	9.2 Documentation Support	21
6.2 ESD Ratings.....	4	9.3 Trademarks	21
6.3 Thermal Information	4	9.4 Electrostatic Discharge Caution.....	21
6.4 Electrical Characteristics.....	5	9.5 Glossary	21
7 Detailed Description	7	10 Mechanical, Packaging, and Orderable Information	21
7.1 Functional Block Diagram	7		

4 Revision History

Changes from Original (February 2010) to Revision A	Page
• Added the <i>Applications</i> section, <i>Feature Description</i> section, <i>Application and Implementation</i> section, <i>Device and Documentation Support</i> section, and <i>Mechanical, Packaging, and Orderable Information</i> section	1
• Updated the <i>Pin Functions</i> table to match the pin out configuration image	3

5 Pin Configuration and Functions



Pin Functions

PIN		I/O	DESCRIPTION
NO.	NAME		
1	GND	—	Ground
2	PKLMT	I	PFC peak current limit
3	CAOUT	O	Current amplifier output
4	CAI	I	Current amplifier noninverting input
5	MOUT	I/O	Multiplier output and current amplifier inverting input
6	IAC	I	Current proportional to input voltage
7	VAOUT	O	Voltage amplifier output
8	VFF	I	Feed-forward voltage
9	VREF	O	Voltage reference output
10	OVP/EN	I	Overvoltage/enable
11	VSENSE	I	Voltage amplifier inverting input
12	RT	I	Oscillator charging current
13	SS	I	Soft-start
14	CT	I	Oscillator timing capacitor
15	VCC	I	Positive supply voltage
16	DRVOUT	O	Gate drive

6 Specifications

6.1 Absolute Maximum Ratings⁽¹⁾

over operating free-air temperature range (unless otherwise noted)

		MIN	MAX	UNIT
V _{CC}	Supply voltage		18	V
I _{CC}	Supply current		20	mA
	Gate drive current, continuous		0.2	A
	Gate drive current		1.2	A
Input voltage	CAI, MOUT, SS		8	V
	PKLMT		5	
	VSENSE, OVP/EN		10	
Input current	RT, IAC, PKLMT		10	mA
	V _{CC} (no switching)		20	
Maximum negative voltage	DRVOUT, PKLMT, MOUT		−0.5	V
Power dissipation			1	W
θ _{JA}	Package thermal impedance ⁽²⁾		73.1	°C/W
T _J	Junction temperature	−40	150	°C
T _{stg}	Storage temperature range	−65	150	°C

- (1) Stresses beyond those listed under "absolute maximum ratings" may cause permanent damage to the device. These are stress ratings only, and functional operation of the device at these or any other conditions beyond those indicated under "recommended operating conditions" is not implied. Exposure to absolute-maximum-rated conditions for extended periods may affect device reliability.
- (2) The package thermal impedance is calculated in accordance with JESD 51-5.

6.2 ESD Ratings

		VALUE	UNIT
V _(ESD)	Electrostatic discharge	Human-body model (HBM), per AEC Q100-002 ⁽¹⁾	±1000 V

- (1) AEC Q100-002 indicates that HBM stressing shall be in accordance with the ANSI/ESDA/JEDEC JS-001 specification.

6.3 Thermal Information

THERMAL METRIC ⁽¹⁾		D 16 PINS	UNIT
θ _{JA}	Package thermal impedance ⁽²⁾	73.1	°C/W

- (1) For more information about traditional and new thermal metrics, see the *IC Package Thermal Metrics* application report, [SPRA953](#).
- (2) The package thermal impedance is calculated in accordance with JESD 51-5.

6.4 Electrical Characteristics

$T_J = T_A = -40^\circ\text{C}$ to 125°C , $V_{CC} = 12\text{ V}$, $R_T = 22\text{ k}\Omega$, $C_T = 270\text{ pF}$ (unless otherwise noted)

PARAMETER	TEST CONDITIONS	MIN	TYP	MAX	UNIT	
SUPPLY CURRENT						
Supply current, off	$V_{CC} = (V_{CC} \text{ turn-on threshold} - 0.3\text{ V})$		150	300	μA	
Supply current, on	$V_{CC} = 12\text{ V}$, No load on DRVOUT	2	4	6	mA	
UVLO						
VCC turn-on threshold		9.7	10.2	10.9	V	
VCC turn-off threshold		9.4	9.7		V	
UVLO hysteresis		0.3	0.5		V	
VOLTAGE AMPLIFIER						
Input voltage		7.369	7.5	7.631	V	
VSENSE bias current	$V_{SENSE} = V_{REF}$, $V_{AOUT} = 2.5\text{ V}$		50	200	nA	
Open-loop gain	$V_{AOUT} = 2\text{ V}$ to 5 V	50	90		dB	
High-level output voltage	$I_L = -150\ \mu\text{A}$	5.3	5.5	5.6	V	
Low-level output voltage	$I_L = 150\ \mu\text{A}$	0	50	150	mV	
OVERVOLTAGE PROTECTION AND ENABLE						
Overvoltage reference		$V_{REF} + 0.48$	$V_{REF} + 0.5$	$V_{REF} + 0.52$	V	
Hysteresis		300	500	600	mV	
Enable threshold		1.7	1.9	2.1	V	
Enable hysteresis		0.1	0.2	0.3	V	
CURRENT AMPLIFIER						
Input offset voltage	$V_{CM} = 0\text{ V}$, $V_{CAOUT} = 3\text{ V}$	$T_A = 25^\circ\text{C}$	-3.5	0	3	mV
		$T_A = -40^\circ\text{C}$ to 125°C	-5		5	
Input bias current	$V_{CM} = 0\text{ V}$, $V_{CAOUT} = 3\text{ V}$		-50	-100	nA	
Input offset current	$V_{CM} = 0\text{ V}$, $V_{CAOUT} = 3\text{ V}$		25	100	nA	
Open-loop gain	$V_{CM} = 0\text{ V}$, $V_{CAOUT} = 2\text{ V}$ to 5 V	90			dB	
Common-mode rejection ratio	$V_{CM} = 0\text{ V}$ to 1.5 V , $V_{CAOUT} = 3\text{ V}$	60	80		dB	
High-level output voltage	$I_L = -120\text{ mA}$	5.6	6.5	6.9	V	
Low-level output voltage	$I_L = 1\text{ mA}$	0.1	0.2	0.5	V	
Gain bandwidth product ⁽¹⁾			2.5		MHz	
VOLTAGE REFERENCE						
Input voltage		7.313 to 7.687	7.5	7.631	V	
Load regulation	$I_{REF} = 1\text{ mA}$ to 2 mA	0		10	mV	
Line regulation	$V_{CC} = 10.8\text{ V}$ to 15 V ⁽²⁾	0		10	mV	
Short-circuit current	$V_{REF} = 0\text{ V}$	-20	-25	-50	mA	
OSCILLATOR						
Initial accuracy	$T_A = 25^\circ\text{C}$	85	100	115	kHz	
Voltage stability	$V_{CC} = 10.8\text{ V}$ to 15 V	-1		+1	%	
Total variation	Over line and temperature	80		120	kHz	
Ramp peak voltage		4.5	5	5.5	V	
Ramp amplitude voltage (peak to peak)		3.5	4	4.5	V	
PEAK CURRENT LIMIT						
PKLMT reference voltage		-15		15	mV	
PKLMT propagation delay		150	350	550	ns	

(1) Ensured by design, not production tested

(2) Reference variation for $V_{CC} < 10.8\text{ V}$ is shown in [Figure 8](#).

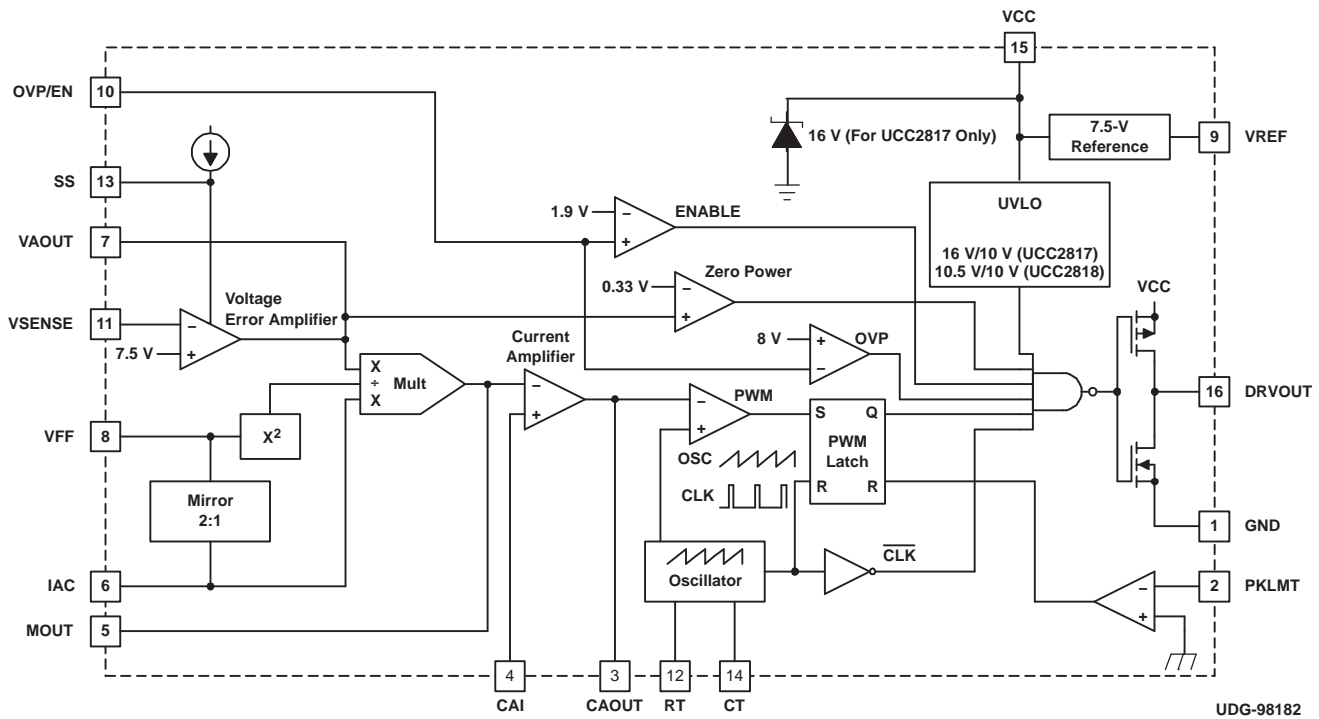
Electrical Characteristics (continued)

$T_J = T_A = -40^\circ\text{C}$ to 125°C , $V_{CC} = 12\text{ V}$, $R_T = 22\text{ k}\Omega$, $C_T = 270\text{ pF}$ (unless otherwise noted)

PARAMETER		TEST CONDITIONS	MIN	TYP	MAX	UNIT
MULTIPLIER						
I_{MOUT}	High line, low power output current	$I_{AC} = 500\ \mu\text{A}$, $V_{FF} = 4.7\text{ V}$, $VAOUT = 1.25\text{ V}$	0	-6	-23	μA
	High-line, high-power output current	$I_{AC} = 500\ \mu\text{A}$, $V_{FF} = 4.7\text{ V}$, $VAOUT = 5\text{ V}$	-70	-90	-105	
	Low-line, low-power output current	$I_{AC} = 150\ \mu\text{A}$, $V_{FF} = 1.4\text{ V}$, $VAOUT = 1.25\text{ V}$	-10	-19	-50	
	Low-line, high-power output current	$I_{AC} = 150\ \mu\text{A}$, $V_{FF} = 1.4\text{ V}$, $VAOUT = 5\text{ V}$	-268	-300	-345	
	IAC limited output current	$I_{AC} = 150\ \mu\text{A}$, $V_{FF} = 1.3\text{ V}$, $VAOUT = 5\text{ V}$	-250	-300	-400	
Gain constant (K)		$I_{AC} = 200\ \mu\text{A}$, $V_{FF} = 3\text{ V}$, $VAOUT = 2.5\text{ V}$	0.5	1	1.6	1/V
I_{MOUT}	Zero current	$I_{AC} = 150\ \mu\text{A}$, $V_{FF} = 1.4\text{ V}$, $VAOUT = 0.25\text{ V}$		0	-2	μA
		$I_{AC} = 500\ \mu\text{A}$, $V_{FF} = 4.7\text{ V}$, $VAOUT = 0.25\text{ V}$		0	-2	
		$I_{AC} = 500\ \mu\text{A}$, $V_{FF} = 4.7\text{ V}$, $VAOUT = 0.5\text{ V}$		0	-3.5	
Power limit ($I_{MOUT} \times V_{FF}$)		$I_{AC} = 150\ \mu\text{A}$, $V_{FF} = 1.4\text{ V}$, $VAOUT = 5\text{ V}$	-375	-420	-490	μW
FEED FORWARD						
VFF output current		$I_{AC} = 300\ \mu\text{A}$	-140	-150	-160	μA
SOFT START						
Softstart charge current			-6	-10	-17	μA
GATE DRIVER						
Pullup resistance		$I_O = -100\text{ mA}$ to -200 mA		9	12	Ω
Pulldown resistance		$I_O = 100\text{ mA}$		4	10	Ω
Output rise time		$C_L = 1\text{ nF}$, $R_L = 10\ \Omega$, $V_{DRVOUT} = 0.7\text{ V}$ to 9 V		25	50	ns
Output fall time		$C_L = 1\text{ nF}$, $R_L = 10\ \Omega$, $V_{DRVOUT} = 9\text{ V}$ to 0.7 V		10	50	ns
Maximum duty cycle			93	95	99	%
Minimum controlled duty cycle ⁽¹⁾		At 100 kHz			2	%
ZERO POWER						
Zero-power comparator threshold		Measured on VAOUT	0.2	0.33	0.5	V

7 Detailed Description

7.1 Functional Block Diagram



7.2 Feature Description

7.2.1 Current Amplifier Noninverting Input, CAI

Place a resistor between this pin and the GND side of current sense resistor. This input and the inverting input (MOUT) remain functional down to and below GND.

7.2.2 Current Amplifier Output, CAOUT

The CAOUT pin is the output of a wide bandwidth operational amplifier that senses line current and commands the PFC pulse-width modulator (PWM) to force the correct duty cycle. Compensation components are placed between CAOUT and MOUT.

7.2.3 Oscillator Timing Capacitor, CT

A capacitor from CT to GND sets the PWM oscillator frequency according to [Equation 1](#).

$$f \approx \left(\frac{0.6}{RT \times CT} \right) \quad (1)$$

The lead from the oscillator timing capacitor to GND should be as short and direct as possible.

7.2.4 Gate Drive, DRVOUT

The output drive for the boost switch is a totem-pole MOSFET gate driver on DRVOUT. Use a series gate resistor to prevent interaction between the gate impedance and the output driver that might cause the DRVOUT to overshoot excessively. See characteristic curve ([Figure 13](#)) to determine minimum required gate resistor value. Some overshoot of the DRVOUT output is always expected when driving a capacitive load.

Feature Description (continued)

7.2.5 Ground, GND

All voltages measured with respect to ground. V_{CC} and REF should be bypassed directly to GND with a 0.1- μ F or larger ceramic capacitor.

7.2.6 Current Proportional to Input Voltage, IAC

This input to the analog multiplier is a current proportional to instantaneous line voltage. The multiplier is tailored for very low distortion from this current input (I_{IAC}) to multiplier output. The recommended maximum I_{IAC} is 500 μ A.

7.2.7 Multiplier Output and Current Amplifier Inverting Input, MOUT

The output of the analog multiplier and the inverting input of the current amplifier are connected together at MOUT. As the multiplier output is a current, this is a high-impedance input so the amplifier can be configured as a differential amplifier. This configuration improves noise immunity and allows for the leading-edge modulation operation. The multiplier output current is limited to ($2 \times I_{IAC}$). The multiplier output current is given by [Equation 2](#).

$$I_{MOUT} = \frac{I_{IAC} \times (V_{VAOUT} - 1)}{V_{VFF}^2 \times K}$$

where

- $K = 1/V$ is the multiplier gain constant (2)

7.2.8 Overvoltage and Enable, OVP/EN

A window comparator input that disables the output driver if the boost output voltage is a programmed level above the nominal, or disables both the PFC output driver and resets SS if pulled below 1.9 V (typ).

7.2.9 PFC Peak Current-Limit, PKLMT

The threshold for peak limit is 0 V. Use a resistor divider from the negative side of the current sense resistor to V_{REF} to level shift this signal to a voltage level defined by the value of the sense resistor and the peak current limit. Peak current limit is reached when PKLMT voltage falls below 0 V.

7.2.10 Oscillator Charging Current, RT

A resistor from RT to GND is used to program oscillator charging current. A resistor between 10 k Ω and 100 k Ω is recommended. Nominal voltage on this pin is 3 V.

7.2.11 Soft Start, SS

The V_{SS} supply is discharged for V_{VCC} low conditions. When enabled, SS charges an external capacitor with a current source. This voltage is used as the voltage error signal during start-up, enabling the PWM duty cycle to increase slowly. In the event of a V_{VCC} dropout, the OVP/EN is forced below 1.9 V (typical), SS quickly discharges to disable the PWM.

NOTE

In an open-loop test circuit, grounding the SS pin does not ensure 0% duty cycle. See the [Application and Implementation](#) section for details.

7.2.12 Voltage amplifier output, VAOUT

This is the output of the operational amplifier that regulates output voltage. The voltage amplifier output is internally limited to approximately 5.5 V to prevent overshoot.

Feature Description (continued)

7.2.13 Positive Supply Voltage, VCC

Connect to a stable source of at least 20 mA between 10 V and 17 V for normal operation. Bypass V_{CC} directly to GND to absorb supply current spikes required to charge external MOSFET gate capacitances. To prevent inadequate gate drive signals, the output devices are inhibited unless V_{VCC} exceeds the upper under-voltage lockout voltage threshold and remains above the lower threshold.

7.2.14 Feed-Forward Voltage, VFF

The RMS voltage signal generated at this pin by mirroring 1/2 of the I_{IAC} into a single pole external filter. At low line, the VFF voltage should be 1.4 V.

7.2.15 Voltage Amplifier Inverting Input, VSENSE

The VSENSE pin is normally connected to a compensation network and to the boost converter output through a divider network.

7.2.16 Voltage Reference Output, VREF

V_{REF} is the output of an accurate 7.5-V voltage reference. This output is capable of delivering 20 mA to peripheral circuitry and is internally short-circuit current limited. VREF is disabled and remains at 0 V when V_{CC} is below the UVLO threshold. Bypass VREF to GND with a 0.1- μ F or larger ceramic capacitor for best stability. See [Figure 8](#) and [Figure 9](#) for VREF line and load regulation characteristics.

8 Application and Implementation

NOTE

Information in the following applications sections is not part of the TI component specification, and TI does not warrant its accuracy or completeness. TI's customers are responsible for determining suitability of components for their purposes. Customers should validate and test their design implementation to confirm system functionality.

8.1 Application Information

The UCC2818A-Q1 is a BiCMOS average current mode boost controller for high-power-factor high-efficiency preregulator power supplies. [Figure 1](#) shows the UCC2818A-Q1 in a 250-W PFC preregulator circuit. Off-line switching power converters normally have an input current that is not sinusoidal. The input current waveform has a high harmonic content because current is drawn in pulses at the peaks of the input voltage waveform. An active power-factor correction circuit programs the input current to follow the line voltage, forcing the converter to look like a resistive load to the line. A resistive load has 0° phase displacement between the current and voltage waveforms. Power factor (PF) can be defined in terms of the phase angle between two sinusoidal waveforms of the same frequency:

$$\text{PF} = \cos \theta \quad (3)$$

Therefore, a purely resistive load would have a power factor of 1. In practice, power factors of 0.999 with total harmonic distortion (THD) of less than 3% are possible with a well-designed circuit. Following guidelines are provided to design PFC boost converters using the UCC2818A-Q1.

NOTE

Schottky diodes, D5 and D6, are required to protect the PFC controller from electrical over stress during system power up.

8.2 Typical Application

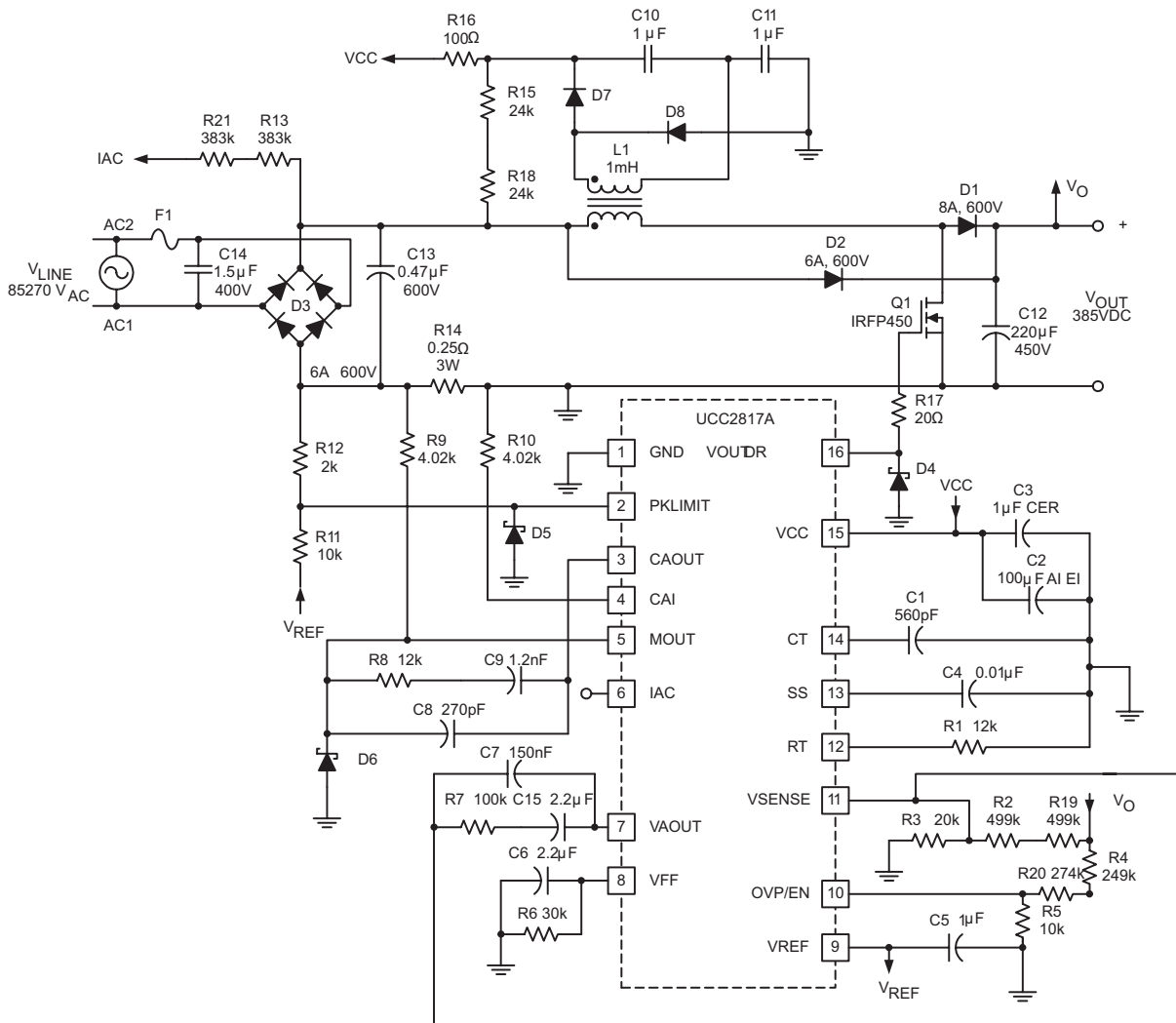


Figure 1. Typical Application Circuit

8.2.1 Detailed Design Procedure

8.2.1.1 Power Stage

8.2.1.1.1 L_{BOOST}

The boost inductor value is determined by Equation 4:

$$L_{\text{BOOST}} = \frac{(V_{\text{IN}(\text{min})} \times D)}{(\Delta I \times f_s)}$$

where

- D = Duty cycle
- ΔI = Inductor ripple current
- f_s = Switching frequency

(4)

For the example circuit, a switching frequency of 100 kHz, a ripple current of 875 mA, a maximum duty cycle of 0.688, and a minimum input voltage of 85 V_{RMS} produces a boost inductor value of about 1 mH. The values used in this equation are at the peak of low line, where the inductor current and its ripple are at a maximum.

Typical Application (continued)

8.2.1.1.2 C_{OUT}

Two main criteria, the capacitance and the voltage rating, dictate the selection of the output capacitor. The value of capacitance is determined by the holdup time required for supporting the load after input ac voltage is removed. Holdup is the amount of time that the output stays in regulation after the input has been removed. For this circuit, the desired holdup time is approximately 16 ms. Expressing the capacitor value in terms of output power, output voltage, and holdup time gives Equation 5:

$$C_{OUT} = \frac{(2 \times P_{OUT} \times \Delta t)}{(V_{OUT}^2 - V_{OUT(min)}^2)} \quad (5)$$

In practice, the calculated minimum capacitor value may be inadequate because output ripple voltage specifications limit the amount of allowable output capacitor ESR. Attaining a sufficiently low value of ESR often necessitates the use of a much larger capacitor value than calculated. The amount of output capacitor ESR allowed can be determined by dividing the maximum specified output ripple voltage by the inductor ripple current. In this design holdup time was the dominant determining factor and a 220- μ F, 450-V capacitor was chosen for the output voltage level of 385 VDC at 250 W.

8.2.1.1.3 Power Switch Selection

As in any power-supply design, tradeoffs between performance, cost, and size have to be made. When selecting a power switch, it can be useful to calculate the total power dissipation in the switch for several different devices at the switching frequencies being considered for the converter. Total power dissipation in the switch is the sum of switching loss and conduction loss. Switching losses are the combination of the gate charge loss, C_{OSS} loss, and turnon and turnoff losses:

$$P_{GATE} = Q_{GATE} \times V_{GATE} \times f_s$$

where

- Q_{GATE} = Total gate charge
- V_{GATE} = Gate drive voltage
- f_s = Clock frequency

$$P_{COSS} = \frac{1}{2} \times C_{OSS} \times V_{OFF}^2 \times f_s$$

where

- C_{OSS} = Drain source capacitance of the MOSFET
- V_{OFF} = Voltage across the switch during the off time (in this case V_{OFF} = V_{OUT})

$$P_{ON} + P_{OFF} = \frac{1}{2} \times V_{OFF} \times I_L \times (t_{ON} + t_{OFF}) \times f_s$$

where

- I_L = Peak inductor current
- t_{ON} and t_{OFF} = Switching times (estimated using device parameters R_{GATE}, Q_{GD} and V_{TH})

Conduction loss is calculated as the product of the R_{DS(on)} of the switch (at the worst-case junction temperature) and the square of RMS current:

$$P_{COND} = R_{DS(on)} \times K \times I_{RMS}^2$$

where

- K = temperature factor found in the manufacturer's R_{DS(on)} vs junction temperature curves

Typical Application (continued)

Calculating these losses and plotting against frequency gives a curve that enables the designer to determine which manufacturer's device has the best performance at the desired switching frequency, or which switching frequency has the least total loss for a particular power switch. For this design example, an IRFP450 HEXFET™ from International Rectifier was chosen because of its low $R_{DS(on)}$ and its V_{DSS} rating. The IRFP450 $R_{DS(on)}$ of 0.4 Ω and the maximum V_{DSS} of 500 V made it an ideal choice. A review of this procedure can be found in the Unitrode™ Power-Supply Design Seminar SEM1200, Topic 6, Design Review: 140 W (*Multiple Output High Density DC/DC Converter*).

8.2.1.2 Soft Start

The soft-start circuitry is used to prevent overshoot of the output voltage during start up. This is accomplished by slowly bringing up the voltage amplifier output (V_{VAOUT}), which allows for the PWM duty cycle to slowly increase. Use Equation 9 to select a capacitor for the soft-start pin.

In this example, $t_{DELAY} = 7.5$ ms, which yields a C_{SS} of 10 nF.

$$C_{SS} = \frac{10 \mu A \times t_{DELAY}}{7.5 V} \quad (9)$$

In an open-loop test circuit, shorting the soft-start pin to ground does not ensure 0% duty cycle. This is due to the current amplifiers input offset voltage, which could force the current amplifier output high or low depending on the polarity of the offset voltage. However, in the typical application, there is sufficient amount of inrush and bias current to overcome the current amplifier offset voltage.

8.2.1.3 Multiplier

The output of the multiplier of the UCC2818A-Q1 is a signal representing the desired input line current. It is an input to the current amplifier, which programs the current loop to control the input current to give high power factor operation. As such, the proper functioning of the multiplier is key to the success of the design. The inputs to the multiplier are VAOUT, the voltage amplifier error signal, I_{IAC} , a representation of the input rectified ac line voltage, and an input voltage feed-forward signal, V_{VFF} . The output of the multiplier, I_{MOUT} , can be expressed as:

$$I_{MOUT} = I_{IAC} \times \frac{(V_{VAOUT} - 1)}{K \times V_{VFF}^2}$$

where

- $K =$ Constant typically equal to 1/V (10)

The *Electrical Characteristics* table covers all the required operating conditions for designing with the multiplier. Additionally, curves in Figure 10, Figure 11, and Figure 12 provide typical multiplier characteristics over its entire operating range.

The I_{IAC} signal is obtained through a high-value resistor connected between the rectified ac line and the IAC pin of the UCC2818A-Q1. This resistor R_{IAC} is sized to give the maximum I_{IAC} current at high line. For the UCC2818A-Q1, the maximum I_{IAC} current is about 500 μA . A higher current than this can drive the multiplier out of its linear range. A smaller current level is functional, but noise can become an issue, especially at low input line. Assuming a universal line operation of 85 V_{RMS} to 265 V_{RMS} gives a R_{IAC} value of 750 k Ω , because of voltage-rating constraints of a standard 1/4-W resistor, use a combination of lower-value resistors connected in series to give the required resistance and distribute the high voltage amongst the resistors. For this design example, two 383-k Ω resistors were used in series.

The current into the IAC pin is mirrored internally to the VFF pin where it is filtered to produce a voltage feed-forward signal proportional to line voltage. The VFF voltage is used to keep the power-stage gain constant, and to provide input power limiting. See the TI application report [SLUA196](#) for detailed explanation on how the VFF pin provides power limiting. The following equation can be used to size the VFF resistor R_{VFF} to provide power limiting where $V_{IN(min)}$ is the minimum RMS input voltage, and R_{IAC} is the total resistance connected between the IAC pin and the rectified line voltage.

Typical Application (continued)

$$R_{VFF} = \frac{1.4 \text{ V}}{\frac{V_{IN(\min)} \times 0.9}{2 \times R_{IAC}}} \approx 30 \text{ k}\Omega \quad (11)$$

Because the VFF voltage is generated from line voltage, it needs to be adequately filtered to reduce THD caused by the 120-Hz rectified line voltage. Refer to Unitrode Power-Supply Design Seminar, SEM-700 Topic 7 (*Optimizing the Design of a High Power Factor Preregulator*). A single pole filter was adequate for this design. Assuming that an allocation of 1.5% total harmonic distortion from this input is allowed, and that the second harmonic ripple is 66% of the input ac line voltage, the amount of attenuation required by this filter is:

$$\frac{1.5 \%}{66 \%} = 0.022 \quad (12)$$

A ripple frequency (f_R) of 120 Hz and an attenuation of 0.022 requires that the pole of the filter (f_P) be placed at:

$$f_P = 120 \text{ Hz} \times 0.022 \approx 2.6 \text{ Hz} \quad (13)$$

The following equation can be used to select the filter capacitor C_{VFF} required to produce the desired low-pass filter.

$$C_{VFF} = \frac{1}{2 \times \pi \times R_{VFF} \times f_P} \approx 2.2 \mu\text{F} \quad (14)$$

The R_{MOUT} resistor is sized to match the maximum current through the sense resistor to the maximum multiplier current. The maximum multiplier current, or $I_{MOUT(\max)}$, can be determined by the equation:

$$I_{MOUT(\max)} = \frac{I_{IAC@V_{IN(\min)}} \times (V_{VAOUT(\max)} - 1 \text{ V})}{K \times V_{VFF(\min)}^2} \quad (15)$$

$I_{MOUT(\max)}$ for this design is approximately 315 μA . The R_{MOUT} resistor can then be determined by:

$$R_{MOUT} = \frac{V_{RSENSE}}{I_{MOUT(\max)}} \quad (16)$$

In this example, V_{RSENSE} was selected to give a dynamic operating range of 1.25 V, which gives an R_{MOUT} of roughly 3.91 k Ω .

8.2.1.4 Voltage Loop

The second major source of harmonic distortion is the ripple on the output capacitor at the second harmonic of the line frequency. This ripple is fed back through the error amplifier and appears as a third harmonic ripple at the input to the multiplier. The voltage loop must be compensated not just for stability but also to attenuate the contribution of this ripple to the total harmonic distortion of the system (see [Figure 2](#)).

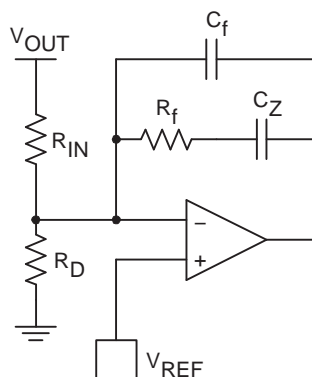


Figure 2. Voltage Amplifier Configuration

Typical Application (continued)

The gain of the voltage amplifier, G_{VA} , can be determined by first calculating the amount of ripple present on the output capacitor. The peak value of the second harmonic voltage is given by the equation:

$$V_{OPK} = \frac{P_{IN}}{2\pi \times f_R \times C_{OUT} \times V_{OUT}} \quad (17)$$

In this example, $V_{OPK} = 3.91$ V. Assuming an allowable contribution of 0.75% (1.5% peak to peak) from the voltage loop to the THD budget, set the gain equal to:

$$G_{VA} = \frac{(\Delta V_{VAOUT})^{0.015}}{2 \times V_{OPK}}$$

where

- ΔV_{VAOUT} = Effective output voltage range of the error amplifier (5 V for the UCC2818A-Q1) (18)

The network needed to realize this filter is comprised of an input resistor, R_{IN} , and feedback components C_f , C_Z , and R_f . The value of R_{IN} is already determined because of its function as one-half of a resistor divider from V_{OUT} feeding back to the voltage amplifier for output voltage regulation. In this case, the value was chosen to be 1 M Ω . This high value was chosen to reduce power dissipation in the resistor. In practice, the resistor value would be realized by the use of two 500-k Ω resistors in series because of the voltage rating constraints of most standard 1/4-W resistors. The value of C_f is determined by the equation:

$$C_f = \frac{1}{2\pi \times f_R \times G_{VA} \times R_{IN}} \quad (19)$$

In this example, $C_f = 150$ nF. Resistor R_f sets the dc gain of the error amplifier and, thus, determines the frequency of the pole of the error amplifier. The location of the pole can be found by setting the gain of the loop equation to one and solving for the crossover frequency. The frequency, expressed in terms of input power, can be calculated by the equation:

$$f_{VI}^2 = \frac{P_{IN}}{(2\pi)^2 \times \Delta V_{VAOUT} \times V_{OUT} \times R_{IN} \times C_{OUT} \times C_f} \quad (20)$$

The f_{VI} value for this converter is 10 Hz. A derivation of this equation can be found in the *Unitrode Power Supply Design Seminar SEM1000, Topic 1 (A 250-kHz, 500-W Power Factor Correction Circuit Employing Zero Voltage Transitions)*.

Solving for R_f becomes:

$$R_f = \frac{1}{2\pi \times f_{VI} \times C_f} \quad (21)$$

or $R_f = 100$ k Ω .

Because of the low output impedance of the voltage amplifier, capacitor C_Z was added in series with R_f to reduce loading on the voltage divider. To ensure the voltage loop crossed over at f_{VI} , C_Z was selected to add a zero at 1/10th of f_{VI} . For this design, a 2.2- μ F capacitor was chosen for C_Z . The following equation can be used to calculate C_Z :

$$C_Z = \frac{1}{2 \times \pi \times \frac{f_{VI}}{10} \times R_f} \quad (22)$$

8.2.1.5 Current Loop

The gain of the power stage is:

$$G_{ID}(s) = \frac{V_{OUT} \times R_{SENSE}}{s \times L_{BOOST} \times V_P} \quad (23)$$

Typical Application (continued)

The value of R_{SENSE} was selected to provide the desired differential voltage for the current sense amplifier at the desired current limit point. In this example, a current limit of 4 A and a reasonable differential voltage to the current amplifier of 1 V gives a R_{SENSE} value of 0.25 Ω . V_P in this equation is the voltage swing of the oscillator ramp, 4 V for the UCC2818A-Q1. Setting the crossover frequency of the system to 1/10th of the switching frequency, or 10 kHz, requires a power-stage gain at that frequency of 0.383. In order for the system to have a gain of 1 at the crossover frequency, the current amplifier must have a gain of $1/G_{ID}$ at that frequency. G_{EA} , the current amplifier gain is then:

$$G_{EA} = \frac{1}{G_{ID}} = \frac{1}{0.383} = 2.611 \quad (24)$$

R_I is the R_{MOUT} resistor, previously calculated to be 3.9 k Ω (see Figure 3). The gain of the current amplifier is R_f/R_I , so multiplying R_I by G_{EA} gives the value of R_f , in this case approximately 12 k Ω . Setting a zero at the crossover frequency and a pole at one-half the switching frequency completes the current loop compensation.

$$C_Z = \frac{1}{2 \times \pi \times R_f \times f_C} \quad (25)$$

$$C_P = \frac{1}{2 \times \pi \times R_f \times \frac{f_S}{2}} \quad (26)$$

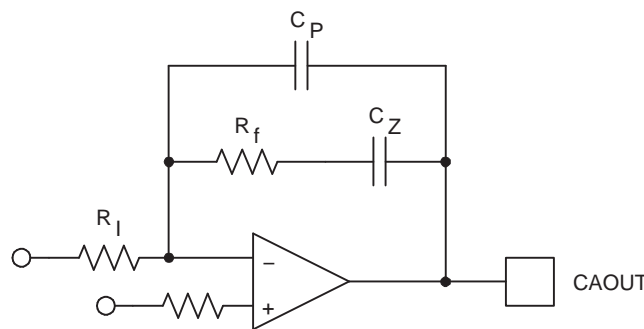


Figure 3. Current Loop Compensation

The UCC2818A-Q1 current amplifier has the input from the multiplier applied to the inverting input. This change in architecture from previous TI PFC controllers improves noise immunity in the current amplifier. It also adds a phase inversion into the control loop. The UCC2818A-Q1 takes advantage of this phase inversion to implement leading-edge duty cycle modulation. Synchronizing a boost PFC controller to a downstream dc-to-dc controller reduces the ripple current seen by the bulk capacitor between stages, reducing capacitor size and cost and reducing EMI. This is explained in greater detail in a following section. The UCC2818A-Q1 current amplifier configuration is shown in Figure 4.

Typical Application (continued)

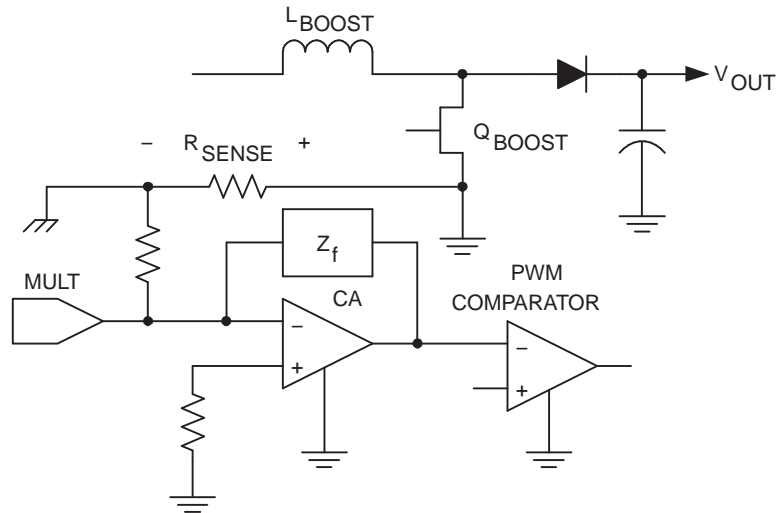


Figure 4. Current Amplifier Configuration

8.2.1.5.1 Start Up

The UCC2818 version of the device is intended to have V_{CC} connected to a 12-V supply voltage. The UCC2817A has an internal shunt regulator enabling the device to be powered from bootstrap circuitry, as shown in the typical application circuit of Figure 1. The current drawn by the UCC2818A-Q1 during undervoltage lockout, or start-up current, is typically 150 μ A. Once V_{CC} is above the UVLO threshold, the device is enabled and draws 4 mA typically. A resistor connected between the rectified ac line voltage and the V_{CC} pin provides current to the shunt regulator during power up. Once the circuit is operational, the bootstrap winding of the inductor provides the V_{CC} voltage. Sizing of the start-up resistor is determined by the start-up time requirement of the system design.

$$I_C = C \frac{\Delta V}{\Delta t}$$

where

- I_C = Charge current
- C = Total capacitance at the V_{CC} pin
- ΔV = UVLO threshold
- Δt = Allowed start-up time

(27)

$$R = \frac{V_{RMS} \times 0.9}{I_C}$$

(28)

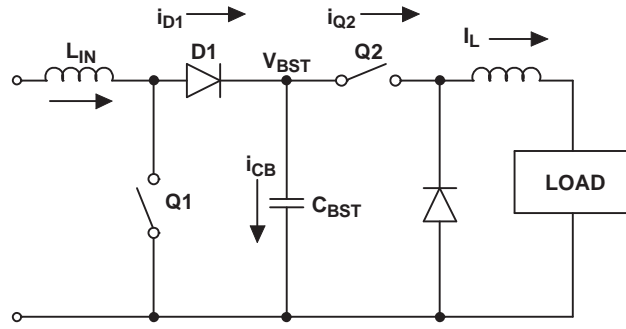
Assuming a 1-s allowed start-up time, a 16-V UVLO threshold, and a total V_{CC} capacitance of 100 μ F, a resistor value of 51 k Ω is required at a low line input voltage of 85 V_{RMS} . The IC start-up current is sufficiently small as to be ignored in sizing the start-up resistor.

8.2.1.5.2 Capacitor Ripple Reduction

For a power system where the PFC boost converter is followed by a dc-to-dc converter stage, there are benefits to synchronizing the two converters. In addition to the usual advantages, such as noise reduction and stability, proper synchronization can significantly reduce the ripple currents in the boost circuit output capacitor. Figure 5 shows the impact of proper synchronization by showing a PFC boost converter together with the simplified input stage of a forward converter. The capacitor current during a single switching cycle depends on the status of the switches Q1 and Q2 and is shown in Figure 6. With a synchronization scheme that maintains conventional trailing-edge modulation on both converters, the capacitor current ripple is highest. The greatest ripple current cancellation is attained when the overlap of Q1 offtime and Q2 ontime is maximized. One method of achieving this is to synchronize the turnon of the boost diode (D1) with the turnon of Q2. This approach implies that the

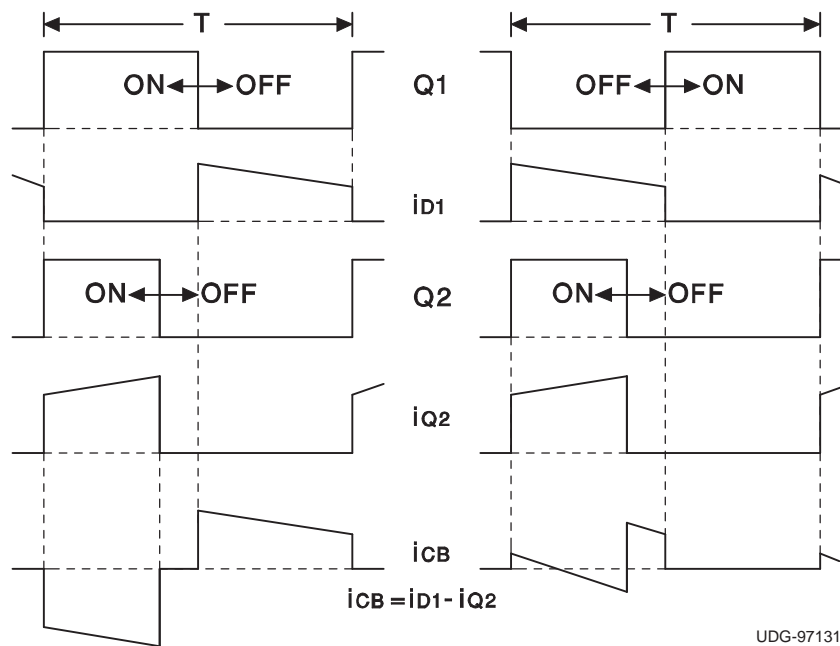
Typical Application (continued)

boost converter leading edge is pulse width modulated, while the forward converter is modulated with traditional trailing-edge PWM. The UCC2818A-Q1 is designed as a leading edge modulator with easy synchronization to the downstream converter to facilitate this advantage. Table 1 compares the $I_{CB(rms)}$ for D1/Q2 synchronization as offered by UCC2818A-Q1, versus the $I_{CB(rms)}$ for the other extreme of synchronizing the turnon of Q1 and Q2 for a 200-W power system with a V_{BST} of 385 V.



UDG-97130-1

Figure 5. Simplified Representation of a Two-Stage PFC Power Supply



UDG-97131

Figure 6. Timing Waveforms for Synchronization Scheme

Table 1. Effects of Synchronization on Boost Capacitor Current

	$V_{IN} = 85\text{ V}$		$V_{IN} = 120\text{ V}$		$V_{IN} = 240\text{ V}$	
	Q1/Q2	D1/Q2	Q1/Q2	D1/Q2	Q1/Q2	D1/Q2
D(Q2)						
0.35	1.491 A	0.835 A	1.341 A	0.663 A	1.024 A	0.731 A
0.45	1.432 A	0.93 A	1.276 A	0.664 A	0.897 A	0.614 A

Table 1 shows that the boost capacitor ripple current can be reduced by about 50% at nominal line and about 30% at high line with the synchronization scheme facilitated by the UCC2818A-Q1. Figure 7 shows the suggested technique for synchronizing the UCC2818A-Q1 to the downstream converter. With this technique, maximum ripple reduction as shown in Figure 6 is achievable. The output capacitance value can be significantly reduced if its choice is dictated by ripple current or the capacitor life can be increased as a result. In cost-sensitive designs where holdup time is not critical, this is a significant advantage.

An alternative method of synchronization to achieve the same ripple reduction is possible. In this method, the turnon of Q1 is synchronized to the turnoff of Q2. While this method yields almost identical ripple reduction and maintains trailing edge modulation on both converters, the synchronization is much more difficult to achieve and the circuit can become susceptible to noise as the synchronizing edge itself is being modulated.

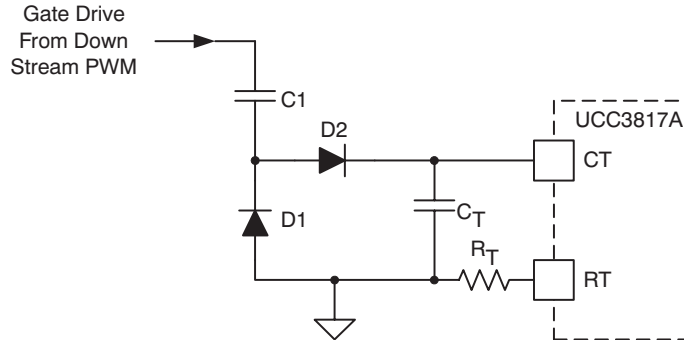
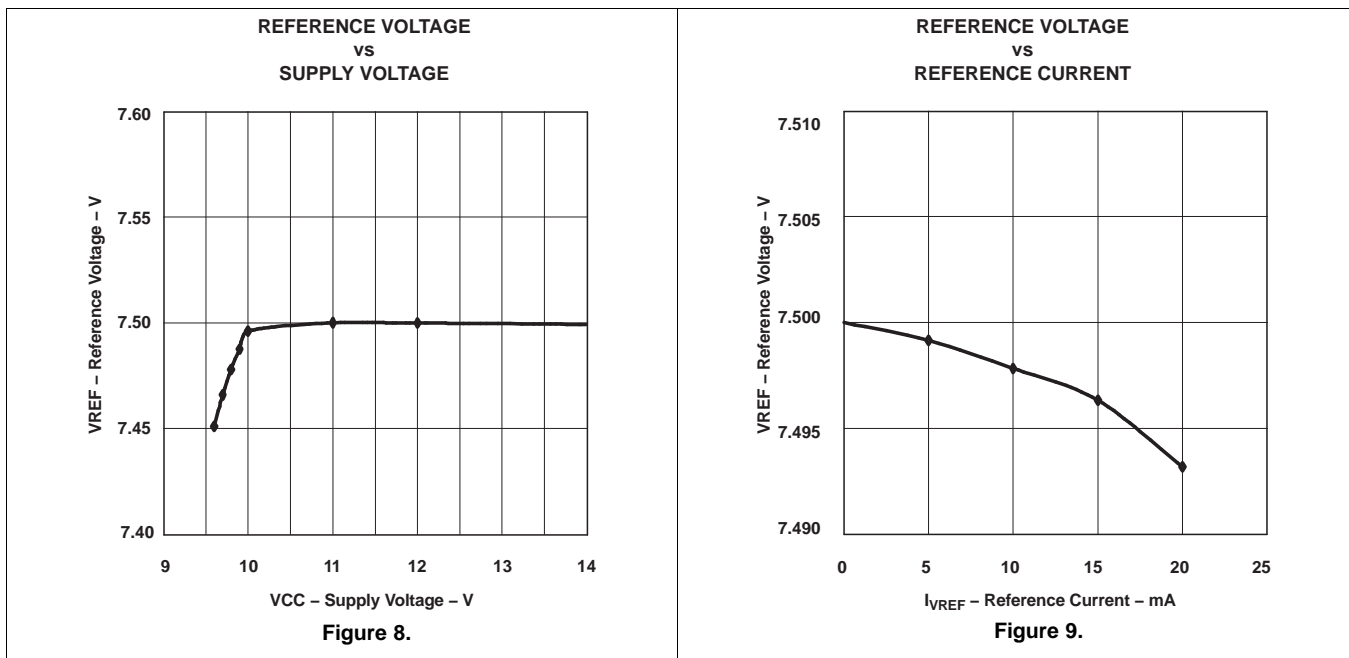
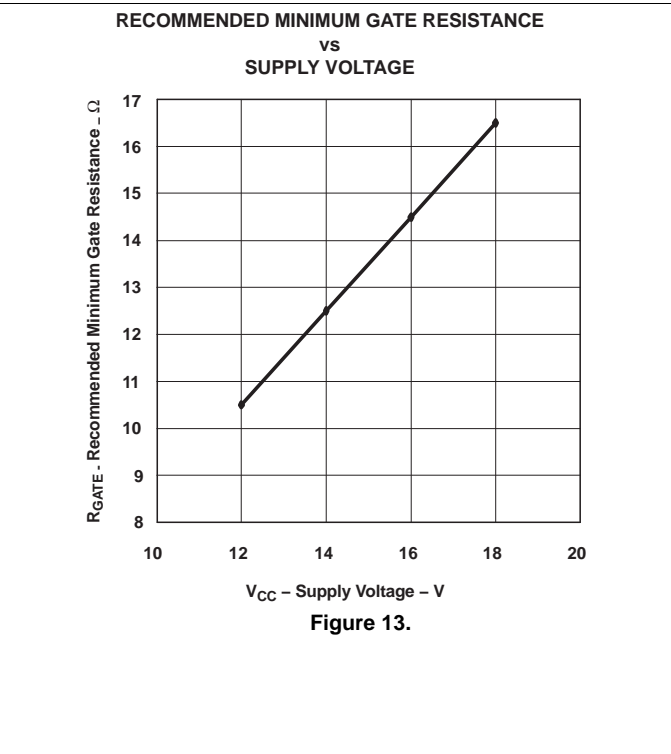
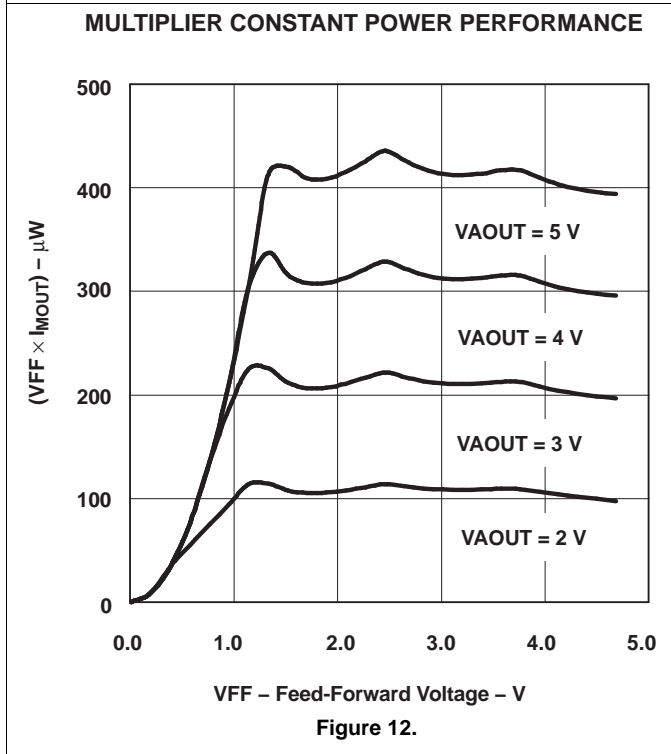
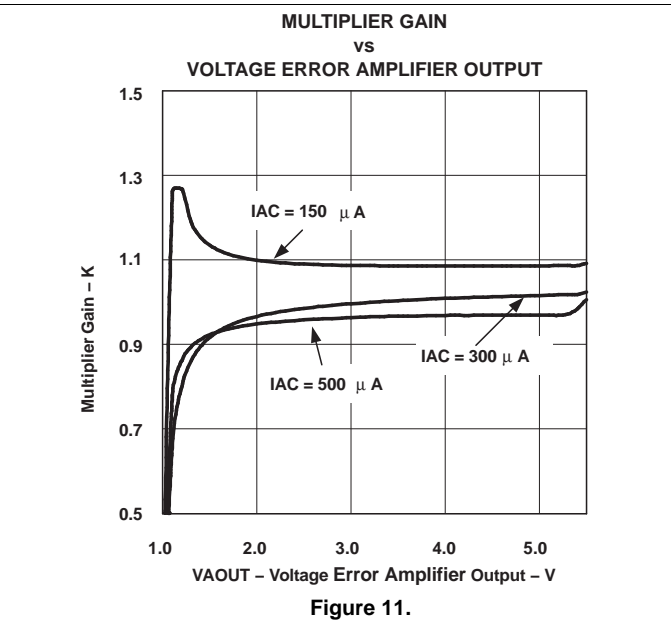
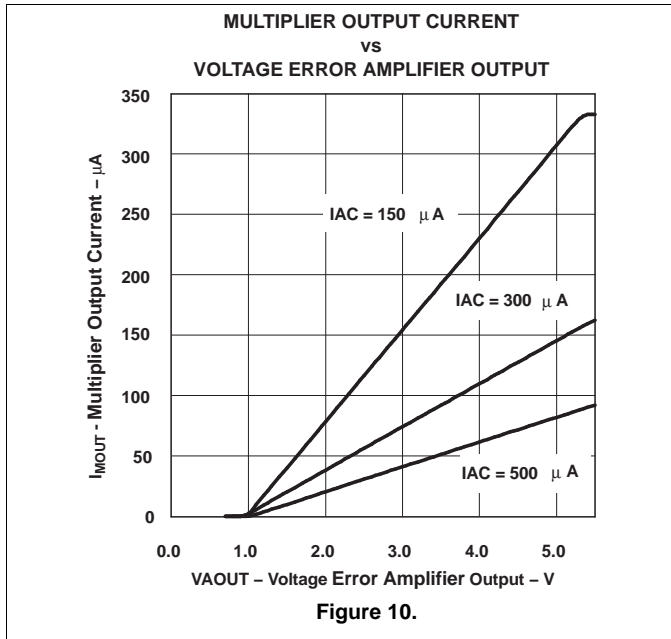


Figure 7. Synchronizing to a Downstream Converter

8.2.2 Application Curves





9 Device and Documentation Support

9.1 Device Support

9.1.1 Development Support

Evaluation Module, UCC3817EVM, 385V, 250W PFC Boost Converter, <http://www.ti.com/tool/UCC3817EVM>

9.2 Documentation Support

9.2.1 Related Documentation

For related documentation see the following:

- *Differences Between UCC3817A/18A/19A and UCC3817/18/19*, [SLUA294](#)
- *Using the UCC3817EVM*, [SLUU077](#)
- *Synchronizing a PFC Controller from a Downstream Converter's Gate Drive*, [SLUA245](#)
- Seminar topic, High Power Factor Switching Preregulator Design Optimization, L.H. Dixon, SEM-700, 1990.
- Seminar topic, High Power Factor Preregulator for Off-line Supplies, L.H. Dixon, SEM-600, 1988.

9.3 Trademarks

Unitrode is a trademark of Texas Instruments.

All other trademarks are the property of their respective owners.

9.4 Electrostatic Discharge Caution



These devices have limited built-in ESD protection. The leads should be shorted together or the device placed in conductive foam during storage or handling to prevent electrostatic damage to the MOS gates.

9.5 Glossary

[SLYZ022](#) — *TI Glossary*.

This glossary lists and explains terms, acronyms, and definitions.

10 Mechanical, Packaging, and Orderable Information

The following pages include mechanical, packaging, and orderable information. This information is the most current data available for the designated devices. This data is subject to change without notice and revision of this document. For browser-based versions of this data sheet, refer to the left-hand navigation.

PACKAGING INFORMATION

Orderable Device	Status (1)	Package Type	Package Drawing	Pins	Package Qty	Eco Plan (2)	Lead finish/ Ball material (6)	MSL Peak Temp (3)	Op Temp (°C)	Device Marking (4/5)	Samples
UCC2818AQDRQ1	ACTIVE	SOIC	D	16	2500	RoHS & Green	NIPDAU	Level-1-260C-UNLIM	-40 to 125	2818AQ	Samples

(1) The marketing status values are defined as follows:

ACTIVE: Product device recommended for new designs.

LIFEBUY: TI has announced that the device will be discontinued, and a lifetime-buy period is in effect.

NRND: Not recommended for new designs. Device is in production to support existing customers, but TI does not recommend using this part in a new design.

PREVIEW: Device has been announced but is not in production. Samples may or may not be available.

OBSELETE: TI has discontinued the production of the device.

(2) **RoHS:** TI defines "RoHS" to mean semiconductor products that are compliant with the current EU RoHS requirements for all 10 RoHS substances, including the requirement that RoHS substance do not exceed 0.1% by weight in homogeneous materials. Where designed to be soldered at high temperatures, "RoHS" products are suitable for use in specified lead-free processes. TI may reference these types of products as "Pb-Free".

RoHS Exempt: TI defines "RoHS Exempt" to mean products that contain lead but are compliant with EU RoHS pursuant to a specific EU RoHS exemption.

Green: TI defines "Green" to mean the content of Chlorine (Cl) and Bromine (Br) based flame retardants meet JS709B low halogen requirements of <=1000ppm threshold. Antimony trioxide based flame retardants must also meet the <=1000ppm threshold requirement.

(3) MSL, Peak Temp. - The Moisture Sensitivity Level rating according to the JEDEC industry standard classifications, and peak solder temperature.

(4) There may be additional marking, which relates to the logo, the lot trace code information, or the environmental category on the device.

(5) Multiple Device Markings will be inside parentheses. Only one Device Marking contained in parentheses and separated by a "-" will appear on a device. If a line is indented then it is a continuation of the previous line and the two combined represent the entire Device Marking for that device.

(6) Lead finish/Ball material - Orderable Devices may have multiple material finish options. Finish options are separated by a vertical ruled line. Lead finish/Ball material values may wrap to two lines if the finish value exceeds the maximum column width.

Important Information and Disclaimer:The information provided on this page represents TI's knowledge and belief as of the date that it is provided. TI bases its knowledge and belief on information provided by third parties, and makes no representation or warranty as to the accuracy of such information. Efforts are underway to better integrate information from third parties. TI has taken and continues to take reasonable steps to provide representative and accurate information but may not have conducted destructive testing or chemical analysis on incoming materials and chemicals. TI and TI suppliers consider certain information to be proprietary, and thus CAS numbers and other limited information may not be available for release.

In no event shall TI's liability arising out of such information exceed the total purchase price of the TI part(s) at issue in this document sold by TI to Customer on an annual basis.

OTHER QUALIFIED VERSIONS OF UCC2818A-Q1 :

- Catalog: [UCC2818A](#)

NOTE: Qualified Version Definitions:

- Catalog - TI's standard catalog product

TAPE AND REEL INFORMATION

QUADRANT ASSIGNMENTS FOR PIN 1 ORIENTATION IN TAPE


*All dimensions are nominal

Device	Package Type	Package Drawing	Pins	SPQ	Reel Diameter (mm)	Reel Width W1 (mm)	A0 (mm)	B0 (mm)	K0 (mm)	P1 (mm)	W (mm)	Pin1 Quadrant
UCC2818AQDRQ1	SOIC	D	16	2500	330.0	16.4	6.5	10.3	2.1	8.0	16.0	Q1

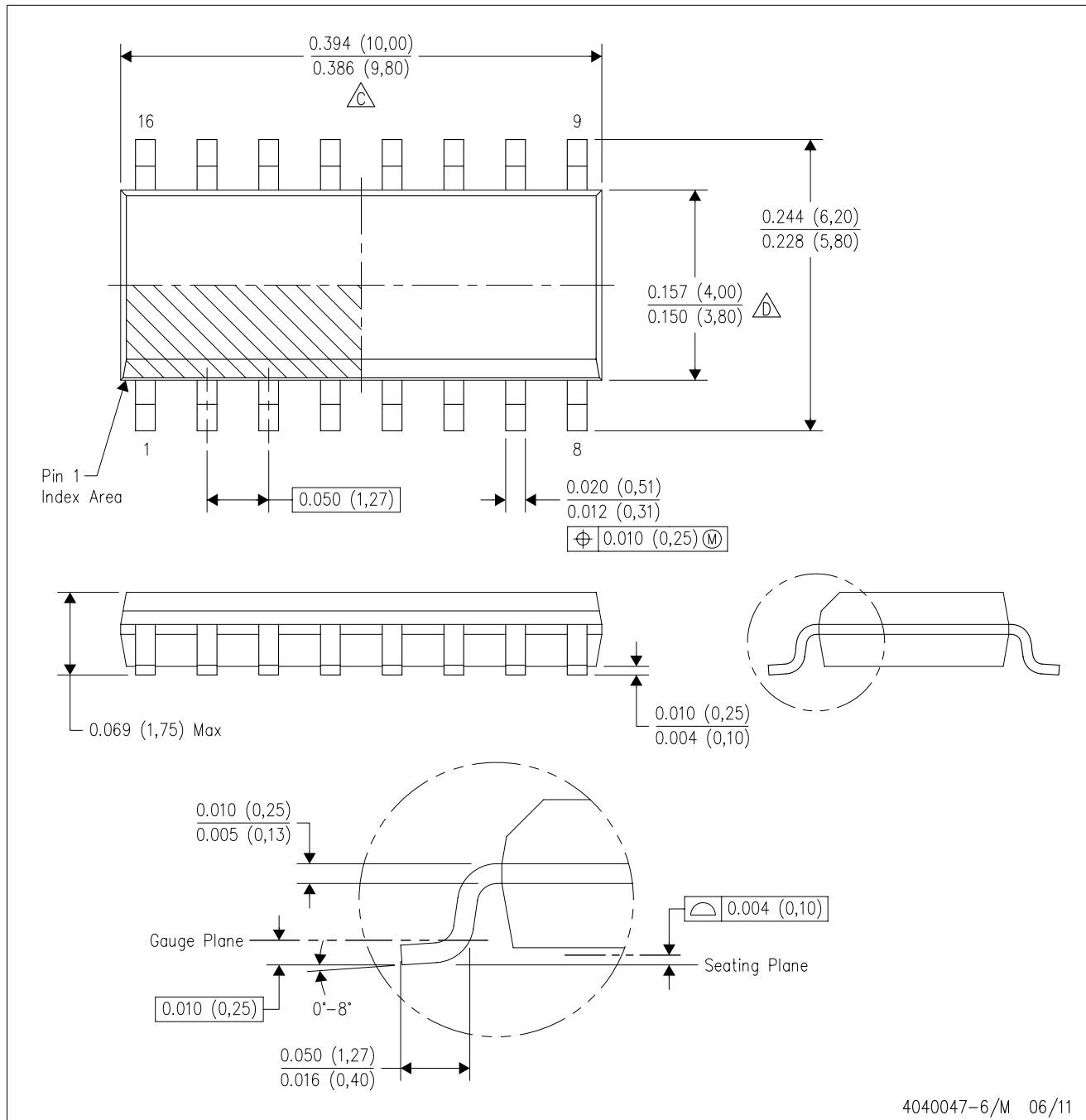
TAPE AND REEL BOX DIMENSIONS




*All dimensions are nominal

Device	Package Type	Package Drawing	Pins	SPQ	Length (mm)	Width (mm)	Height (mm)
UCC2818AQDRQ1	SOIC	D	16	2500	340.5	336.1	32.0

D (R-PDSO-G16)

PLASTIC SMALL OUTLINE



- NOTES:
- A. All linear dimensions are in inches (millimeters).
 - B. This drawing is subject to change without notice.
 -  Body length does not include mold flash, protrusions, or gate burrs. Mold flash, protrusions, or gate burrs shall not exceed 0.006 (0,15) each side.
 -  Body width does not include interlead flash. Interlead flash shall not exceed 0.017 (0,43) each side.
 - E. Reference JEDEC MS-012 variation AC.

D (R-PDSO-G16)

PLASTIC SMALL OUTLINE



- NOTES:
- All linear dimensions are in millimeters.
 - This drawing is subject to change without notice.
 - Publication IPC-7351 is recommended for alternate designs.
 - Laser cutting apertures with trapezoidal walls and also rounding corners will offer better paste release. Customers should contact their board assembly site for stencil design recommendations. Refer to IPC-7525 for other stencil recommendations.
 - Customers should contact their board fabrication site for solder mask tolerances between and around signal pads.

IMPORTANT NOTICE AND DISCLAIMER

TI PROVIDES TECHNICAL AND RELIABILITY DATA (INCLUDING DATA SHEETS), DESIGN RESOURCES (INCLUDING REFERENCE DESIGNS), APPLICATION OR OTHER DESIGN ADVICE, WEB TOOLS, SAFETY INFORMATION, AND OTHER RESOURCES "AS IS" AND WITH ALL FAULTS, AND DISCLAIMS ALL WARRANTIES, EXPRESS AND IMPLIED, INCLUDING WITHOUT LIMITATION ANY IMPLIED WARRANTIES OF MERCHANTABILITY, FITNESS FOR A PARTICULAR PURPOSE OR NON-INFRINGEMENT OF THIRD PARTY INTELLECTUAL PROPERTY RIGHTS.

These resources are intended for skilled developers designing with TI products. You are solely responsible for (1) selecting the appropriate TI products for your application, (2) designing, validating and testing your application, and (3) ensuring your application meets applicable standards, and any other safety, security, regulatory or other requirements.

These resources are subject to change without notice. TI grants you permission to use these resources only for development of an application that uses the TI products described in the resource. Other reproduction and display of these resources is prohibited. No license is granted to any other TI intellectual property right or to any third party intellectual property right. TI disclaims responsibility for, and you will fully indemnify TI and its representatives against, any claims, damages, costs, losses, and liabilities arising out of your use of these resources.

TI's products are provided subject to [TI's Terms of Sale](#) or other applicable terms available either on [ti.com](https://www.ti.com) or provided in conjunction with such TI products. TI's provision of these resources does not expand or otherwise alter TI's applicable warranties or warranty disclaimers for TI products.

TI objects to and rejects any additional or different terms you may have proposed.

Mailing Address: Texas Instruments, Post Office Box 655303, Dallas, Texas 75265
Copyright © 2024, Texas Instruments Incorporated