

LMT01 0.5°C Accurate 2-Pin Digital Output Temperature Sensor With Pulse Count Interface

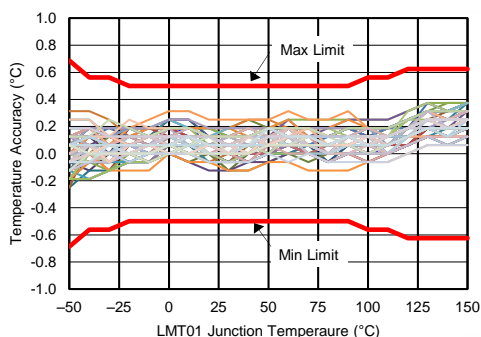
1 Features

- High Accuracy Over -50°C to 150°C Wide Temperature Range
 - -20°C to 90°C : $\pm 0.5^{\circ}\text{C}$ (Maximum)
 - 90°C to 150°C : $\pm 0.625^{\circ}\text{C}$ (Maximum)
 - -50°C to -20°C : $\pm 0.7^{\circ}\text{C}$ (Maximum)
- Precision Digital Temperature Measurement Simplified in a 2-Pin Package
- Pulse Count Current Loop Easily Read by Processor. Number of Output Pulses is Proportional to Temperature With 0.0625°C Resolution
- Communication Frequency: 88 kHz
- Conversion Current: $34\ \mu\text{A}$
- Continuous Conversion Plus Data-Transmission Period: 100 ms
- Floating 2-V to 5.5-V (VP–VN) Supply Operation With Integrated EMI Immunity
- Multiple 2-Pin Package Offerings: TO-92/LPG (3.1 mm x 4 mm x 1.5 mm) – $\frac{1}{2}$ the Size of Traditional TO-92 and WSON With Wettable Flanks

2 Applications

- Digital Output Wired Probes
- White Goods
- HVAC
- Power Supplies
- Battery Management

LMT01 Accuracy



Typical units plotted in center of curve.

3 Description

The LMT01 device is a high-accuracy, 2-pin temperature sensor with an easy-to-use pulse count current loop interface, which makes it suitable for onboard and offboard applications in automotive, industrial, and consumer markets. The LMT01 digital pulse count output and high accuracy over a wide temperature range allow pairing with any MCU without concern for integrated ADC quality or availability, while minimizing software overhead. TI's LMT01 device achieves a maximum $\pm 0.5^{\circ}\text{C}$ accuracy with very fine resolution (0.0625°C) over a temperature range of -20°C to 90°C without system calibration or hardware and software compensation.

The LMT01's pulse count interface is designed to directly interface with a GPIO or comparator input, thereby simplifying hardware implementation. Similarly, the LMT01's integrated EMI suppression and simple 2-pin architecture makes it suitable for onboard and offboard temperature sensing in a noisy environment. The LMT01 device can be easily converted into a two-wire temperature probe with a wire length up to two meters. See [LMT01-Q1](#) for the automotive qualified version.

Device Information⁽¹⁾

PART NUMBER	PACKAGE	BODY SIZE (NOM)
LMT01LPG	TO-92 (2)	4.00 mm x 3.15 mm
LMT01DQX	WSON (2)	1.70 mm x 2.50 mm

(1) For all available packages, see the orderable addendum at the end of the data sheet.

2-Pin IC Temperature Sensor

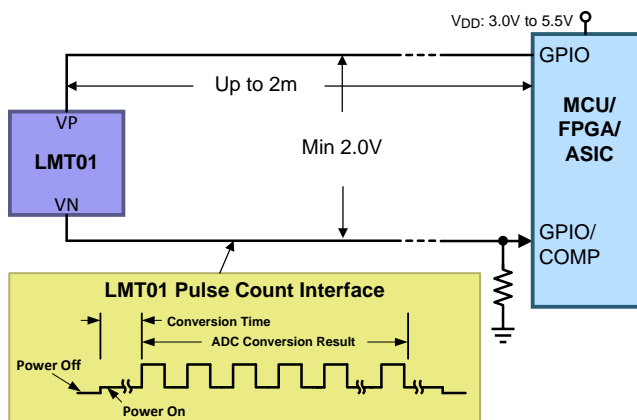


Table of Contents

1 Features 1 2 Applications 1 3 Description 1 4 Revision History 2 5 Pin Configuration and Functions 3 6 Specifications 4 6.1 Absolute Maximum Ratings 4 6.2 ESD Ratings 4 6.3 Recommended Operating Conditions 4 6.4 Thermal Information 4 6.5 Electrical Characteristics 5 6.6 Electrical Characteristics - TO-92/LPG Pulse Count to Temperature LUT 6 6.7 Electrical Characteristics - WSON/DQX Pulse Count to Temperature LUT 7 6.8 Switching Characteristics 7 6.9 Timing Diagram 8 6.10 Typical Characteristics 9 7 Detailed Description 13 7.1 Overview 13	7.2 Functional Block Diagram 13 7.3 Feature Description 13 7.4 Device Functional Modes 16 8 Application and Implementation 17 8.1 Application Information 17 8.2 Typical Application 18 8.3 System Examples 20 9 Power Supply Recommendations 22 10 Layout 23 10.1 Layout Guidelines 23 10.2 Layout Example 23 11 Device and Documentation Support 24 11.1 Receiving Notification of Documentation Updates 24 11.2 Community Resources 24 11.3 Trademarks 24 11.4 Electrostatic Discharge Caution 24 11.5 Glossary 24 12 Mechanical, Packaging, and Orderable Information 24
---	--

4 Revision History

Changes from Revision C (June 2017) to Revision D	Page
• Added device stamp to the TO-92 pinout top view	3
• Changed the TO-92S pin numbers in the <i>Pin Functions</i>	3

Changes from Revision B (April 2017) to Revision C	Page
• Removed <i>Electrical Characteristics: WSON/DQX</i> table; Combined the LPG and DQX <i>Electrical Characteristics</i> tables together	5
• Changed I_{OL} maximum value from: 39 μ A to: 40 μ A	5
• Changed leakage value from: 1 μ A to 3.5 μ A	5
• Moved the thermal response time parameters to the <i>Electrical Characteristics</i> table	5
• Added Missing Cross References	13

Changes from Revision A (June 2015) to Revision B	Page
• Added new WSON/DQX package throughout data sheet	1
• Changed updated package information.	3
• Added Electrical Characteristics - WSON/DQX Pulse Count to Temperature LUT	7
• Added -40 for Sample Calculations Table	14
• Added missing cross reference	15

Changes from Original (June 2015) to Revision A	Page
• Added full datasheet.	1
• Added clarification note.	1

5 Pin Configuration and Functions

**DQX Package
2-Pin WSON
Bottom View**



**LPG Package
2-Pin TO-92
Top View**



Pin Functions

NAME	PIN		TYPE	DESCRIPTION
	TO-92S	WSON		
VP	2	1	Input	Positive voltage pin; may be connected to system power supply or bias resistor.
VN	1	2	Output	Negative voltage pin; may be connected to system ground or a bias resistor.

6 Specifications

6.1 Absolute Maximum Ratings

 See ⁽¹⁾⁽²⁾.

	MIN	MAX	UNIT
Voltage drop (VP – VN)	-0.3	6	V
Storage temperature, T _{stg}	-65	175	°C

- (1) Stresses beyond those listed under *Absolute Maximum Ratings* may cause permanent damage to the device. These are stress ratings only, which do not imply functional operation of the device at these or any other conditions beyond those indicated under *Recommended Operating Conditions*. Exposure to absolute-maximum-rated conditions for extended periods may affect device reliability.
- (2) Soldering process must comply with Reflow Temperature Profile specifications. Refer to www.ti.com/packaging.

6.2 ESD Ratings

		VALUE	UNIT
V _(ESD) Electrostatic discharge	Human-body model (HBM), per ANSI/ESDA/JEDEC JS-001 ⁽¹⁾	±2000	V
	Charged-device model (CDM), per JEDEC specification JESD22-C101 ⁽²⁾	±750	

- (1) JEDEC document JEP155 states that 500-V HBM allows safe manufacturing with a standard ESD control process.
- (2) JEDEC document JEP157 states that 250-V CDM allows safe manufacturing with a standard ESD control process.

6.3 Recommended Operating Conditions

	MIN	MAX	UNIT
Free-air temperature	-50	150	°C
Voltage drop (VP – VN)	2	5.5	V

6.4 Thermal Information

THERMAL METRIC ⁽¹⁾	LMT01		UNIT
	DQX (WSON)	LPG (TO-92)	
	2 PINS	2 PINS	
R _{θJA} Junction-to-ambient thermal resistance	213	177	°C/W
R _{θJC(top)} Junction-to-case (top) thermal resistance	71	94	°C/W
R _{θJB} Junction-to-board thermal resistance	81	152	°C/W
ψ _{JT} Junction-to-top characterization parameter	2.4	33	°C/W
ψ _{JB} Junction-to-board characterization parameter	79	152	°C/W

- (1) For more information about traditional and new thermal metrics, see the [Semiconductor and IC Package Thermal Metrics](#) application report.

6.5 Electrical Characteristics

Over operating free-air temperature range and operating VP-VN range (unless otherwise noted).

PARAMETER		TEST CONDITIONS	MIN	TYP	MAX	UNIT
ACCURACY						
Temperature accuracy ⁽¹⁾⁽²⁾	VP – VN of 2.15 V to 5.5 V	150°C	–0.625		0.625	°C
		125°C	–0.625		0.625	°C
		120°C	–0.625		0.625	°C
		110°C	–0.5625		0.5625	°C
		100°C	–0.5625		0.5625	°C
		90°C	–0.5		0.5	°C
		25°C	–0.5	±0.125	0.5	°C
		–20°C	–0.5		0.5	°C
		–30°C	–0.5625		0.5625	°C
		–40°C	–0.625		0.625	°C
Temperature accuracy ⁽¹⁾⁽²⁾	VP – VN of 2.15 V to 5.5 V	–50°C	–0.6875	±0.4	0.6875	°C
PULSE COUNT TRANSFER FUNCTION						
Number of pulses at 0°C			800	808	816	
Output pulse range	Theoretical max (exceeds device rating)		15		3228	
			1		4095	
Resolution of one pulse			0.0625			°C
OUTPUT CURRENT						
I _{OL}	Output current variation	Low level	28	34	40	μA
I _{OH}		High level	112.5	125	143	μA
High-to-Low level output current ratio			3.1	3.7	4.5	
POWER SUPPLY						
Accuracy sensitivity to change in VP – VN		2.15 V ≤ VP – VN ≤ 5.0 V ⁽³⁾		40	133	m°C/V
Leakage Current VP – VN		VDD ≤ 0.4 V		0.002	3.5	μA
THERMAL RESPONSE						
Stirred oil thermal response time to 63% of final value (package only)	DQX (WSON)		0.4		s	
	LPG (TO-92)		0.8			
Still air thermal response time to 63% of final value (package only)	DQX (WSON)		9.4		s	
	LPG (TO-92)		28			

- (1) Calculated using Pulse Count to Temperature LUT and 0.0625°C resolution per pulse, see section [Electrical Characteristics - TO-92/LPG Pulse Count to Temperature LUT](#) and [Electrical Characteristics - WSON/DQX Pulse Count to Temperature LUT](#).
- (2) Error can be linearly interpolated between temperatures given in table as shown in the Accuracy vs Temperature curves in section [Typical Characteristics](#).
- (3) Limit is using end point calculation.

6.6 Electrical Characteristics - TO-92/LPG Pulse Count to Temperature LUT

Over operating free-air temperature range and VP-VN operating range (unless otherwise noted). LUT is short for Look-up Table.

PARAMETER	TEST CONDITIONS	MIN	TYP	MAX	UNIT
Digital output code	–50°C	15	26	37	pulses
	–40°C	172	181	190	
	–30°C	329	338	347	
	–20°C	486	494	502	
	–10°C	643	651	659	
	0°C	800	808	816	
	10°C	958	966	974	
	20°C	1117	1125	1133	
	30°C	1276	1284	1292	
	40°C	1435	1443	1451	
	50°C	1594	1602	1610	
	60°C	1754	1762	1770	
	70°C	1915	1923	1931	
	80°C	2076	2084	2092	
	90°C	2237	2245	2253	
	100°C	2398	2407	2416	
	110°C	2560	2569	2578	
	120°C	2721	2731	2741	
	130°C	2883	2893	2903	
140°C	3047	3057	3067		
150°C	3208	3218	3228		

6.7 Electrical Characteristics - WSON/DQX Pulse Count to Temperature LUT

Over operating free-air temperature range and $2.15\text{ V} \leq V_P - V_N \leq 5.0\text{ V}$ power supply operating range (unless otherwise noted). LUT is short for Look-up Table.

PARAMETER	TEST CONDITIONS	MIN	TYP	MAX	UNIT
Digital output code	-50°C	15	26	37	pulses
	-40°C	172	181	190	
	-30°C	328	337	346	
	-20°C	486	494	502	
	-10°C	643	651	659	
	0°C	800	808	816	
	10°C	958	966	974	
	20°C	1117	1125	1133	
	30°C	1276	1284	1292	
	40°C	1435	1443	1451	
	50°C	1594	1603	1611	
	60°C	1754	1762	1771	
	70°C	1915	1923	1931	
	80°C	2076	2084	2092	
	90°C	2237	2245	2254	
	100°C	2398	2407	2416	
	110°C	2560	2569	2578	
	120°C	2721	2731	2741	
	125°C	2802	2814	2826	
	130°C	2883	2894	2904	
140°C	3047	3058	3068		
150°C	3210	3221	3231		

6.8 Switching Characteristics

Over operating free-air temperature range and operating $V_P - V_N$ range (unless otherwise noted).

PARAMETER	TEST CONDITIONS	MIN	TYP	MAX	UNIT
t_R, t_F	Output current rise and fall time $C_L = 10\text{ pF}, R_L = 8\text{ k}$		1.45		μs
f_P	Output current pulse frequency	82	88	94	kHz
	Output current duty cycle	40%	50%	60%	
t_{CONV}	Temperature conversion time ⁽¹⁾ 2.15 V to 5.5 V	46	50	54	ms
t_{DATA}	Data transmission time	44	47	50	ms

(1) Conversion time includes power up time or device turn on time that is typically 3 ms after POR threshold of 1.2 V is exceeded.

6.9 Timing Diagram

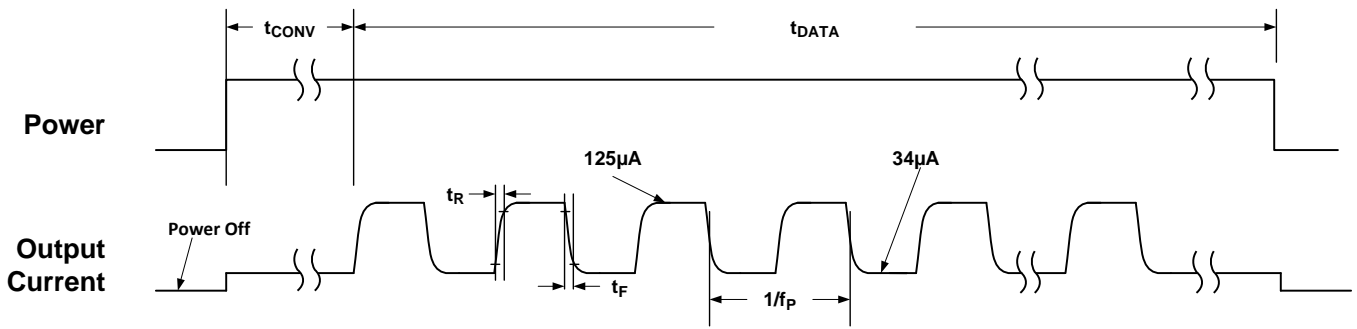
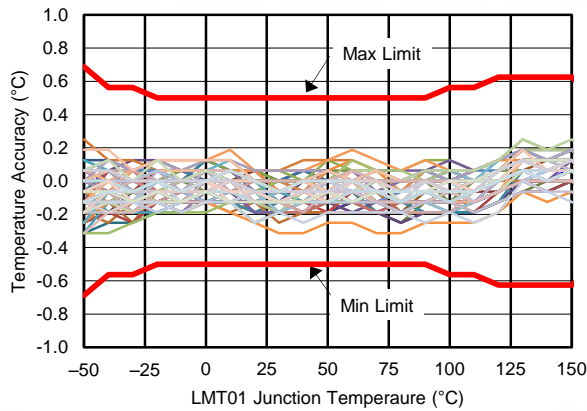


Figure 1. Timing Specification Waveform

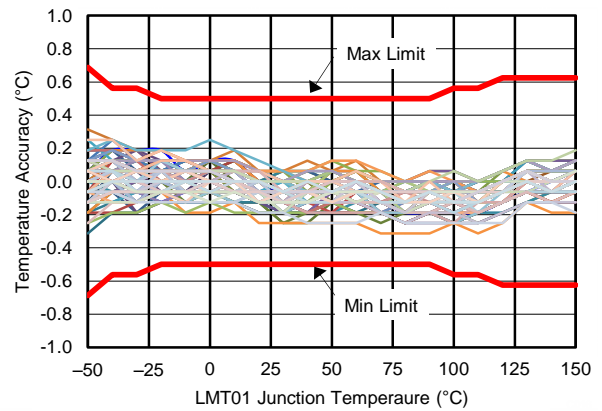
6.10 Typical Characteristics



Using [Electrical Characteristics - TO-92/LPG Pulse Count to Temperature LUT](#)

VP – VN = 2.15 V

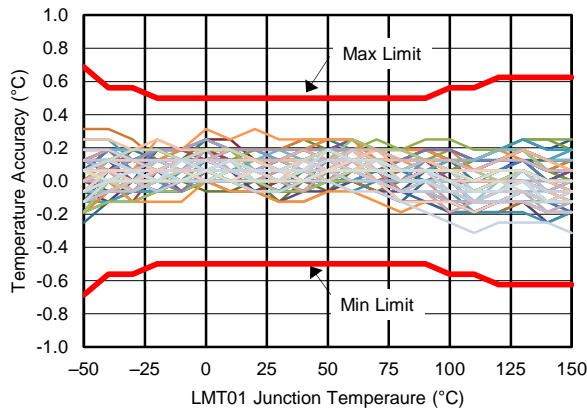
Figure 2. Accuracy vs LMT01 Junction Temperature



Using [Electrical Characteristics - TO-92/LPG Pulse Count to Temperature LUT](#)

VP – VN = 2.4 V

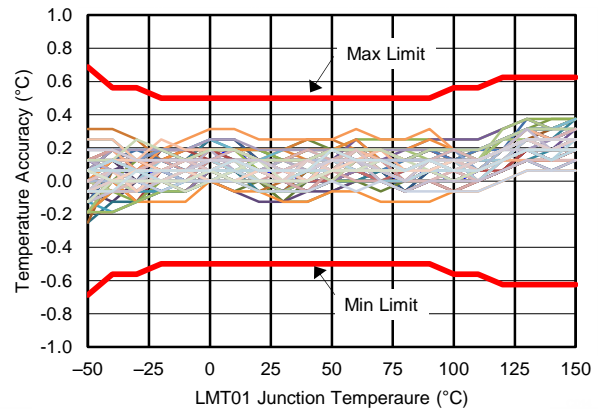
Figure 3. Accuracy vs LMT01 Junction Temperature



Using [Electrical Characteristics - TO-92/LPG Pulse Count to Temperature LUT](#)

VP – VN = 2.7 V

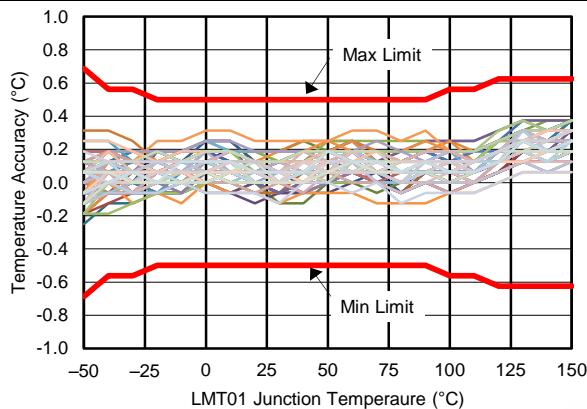
Figure 4. Accuracy vs LMT01 Junction Temperature



Using [Electrical Characteristics - TO-92/LPG Pulse Count to Temperature LUT](#)

VP – VN = 3 V

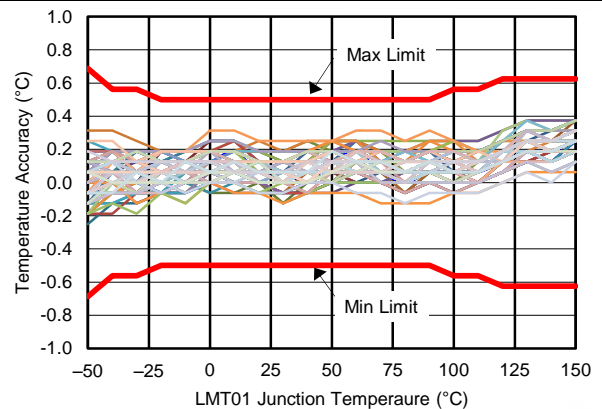
Figure 5. Accuracy vs LMT01 Junction Temperature



Using [Electrical Characteristics - TO-92/LPG Pulse Count to Temperature LUT](#)

VP – VN = 4 V

Figure 6. Accuracy vs LMT01 Junction Temperature

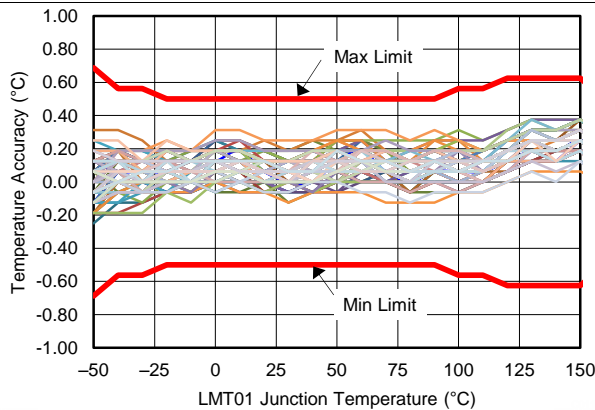


Using [Electrical Characteristics - TO-92/LPG Pulse Count to Temperature LUT](#)

VP – VN = 5 V

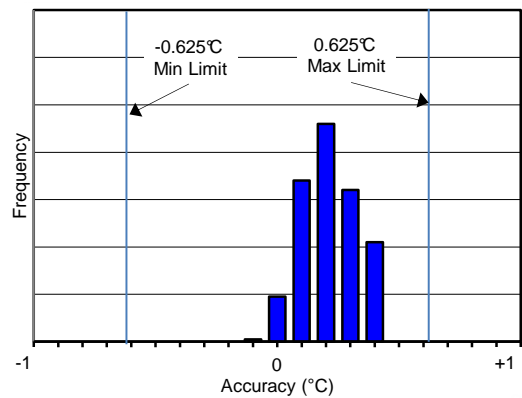
Figure 7. Accuracy vs LMT01 Junction Temperature

Typical Characteristics (continued)



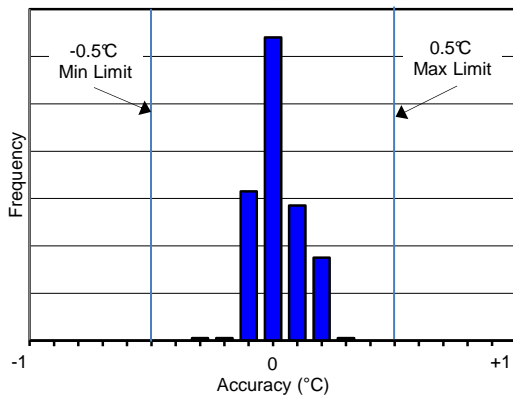
Using *Electrical Characteristics - TO-92/LPG Pulse Count to Temperature LUT*
 VP – VN = 5.5 V

Figure 8. Accuracy vs LMT01 Junction Temperature



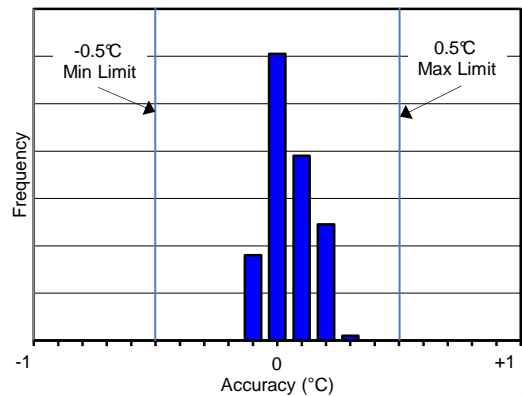
Using *Electrical Characteristics - TO-92/LPG Pulse Count to Temperature LUT*
 VP – VN = 2.15 V to 5.5 V

Figure 9. Accuracy Histogram at 150°C



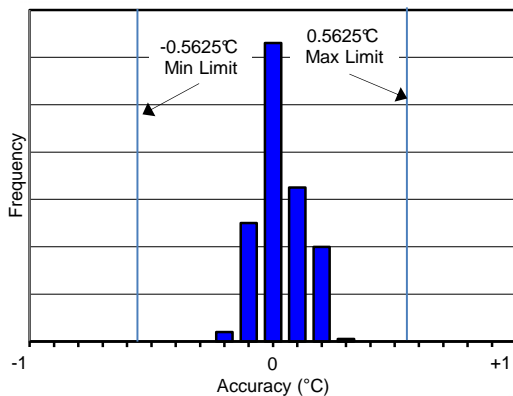
Using *Electrical Characteristics - TO-92/LPG Pulse Count to Temperature LUT*
 VP – VN = 2.15 V to 5.5 V

Figure 10. Accuracy Histogram at 30°C



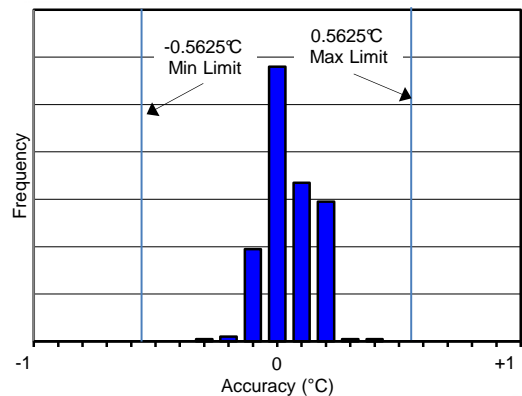
Using *Electrical Characteristics - TO-92/LPG Pulse Count to Temperature LUT*
 VP – VN = 2.15 V to 5.5 V

Figure 11. Accuracy Histogram at -20°C



Using LUT *Electrical Characteristics - TO-92/LPG Pulse Count to Temperature LUT*
 VP – VN = 2.15 V to 5.5 V

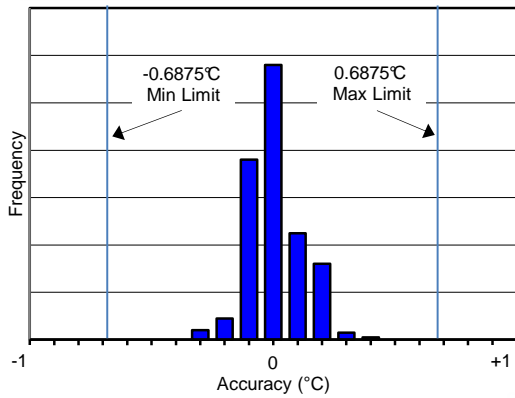
Figure 12. Accuracy Histogram at -30°C



Using *Electrical Characteristics - TO-92/LPG Pulse Count to Temperature LUT*
 VP – VN = 2.15 V to 5.5 V

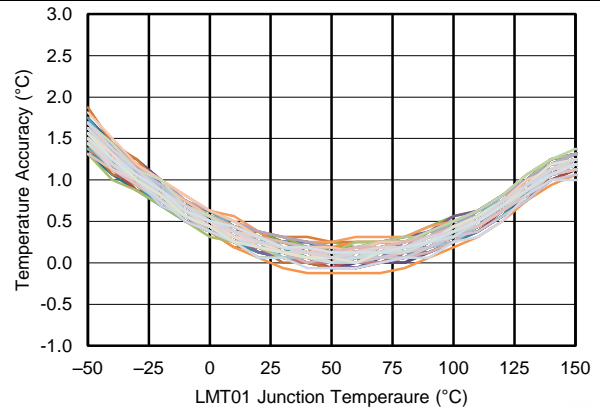
Figure 13. Accuracy Histogram at -40°C

Typical Characteristics (continued)



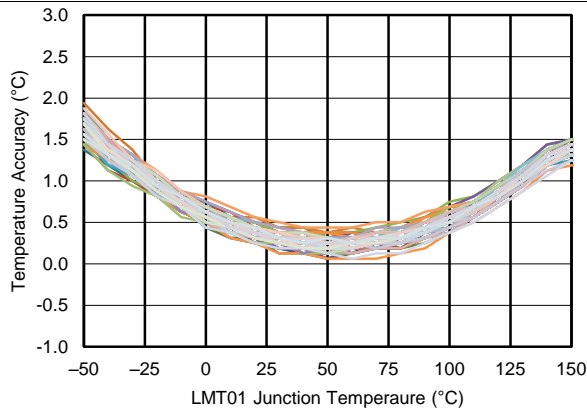
Using LUT [Electrical Characteristics - TO-92/LPG Pulse Count to Temperature LUT](#)
 VP – VN = 2.15 V to 5.5 V

Figure 14. Accuracy Histogram at -50°C



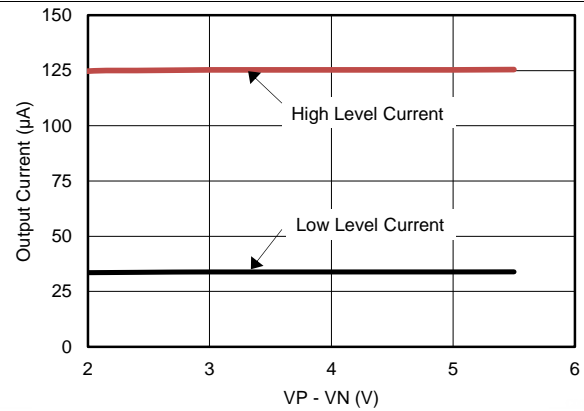
Using Temp = (PC/4096 × 256°C) – 50°C
 VP – VN = 2.15 V

Figure 15. Accuracy Using Linear Transfer Function



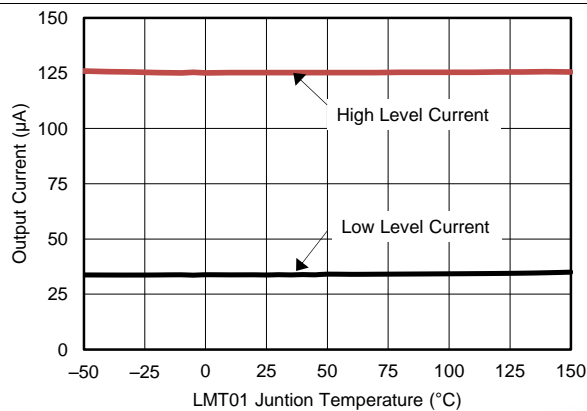
Using Temp = (PC/4096 × 256°C) – 50°C
 VP – VN = 5.5V

Figure 16. Accuracy Using Linear Transfer Function



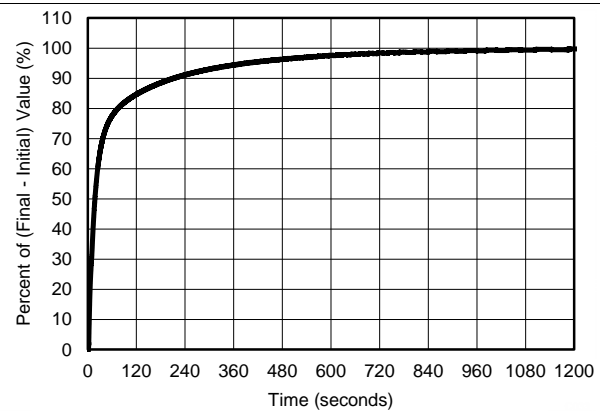
T_A = 30°C

Figure 17. Output Current vs VP-VN Voltage



VP – VN = 3.3 V

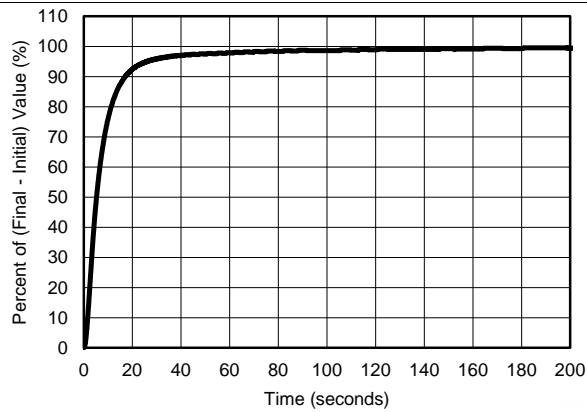
Figure 18. Output Current vs Temperature



VP – VN = 3.3 V
 T_{INITIAL} = 23°C, T_{FINAL} = 70°C

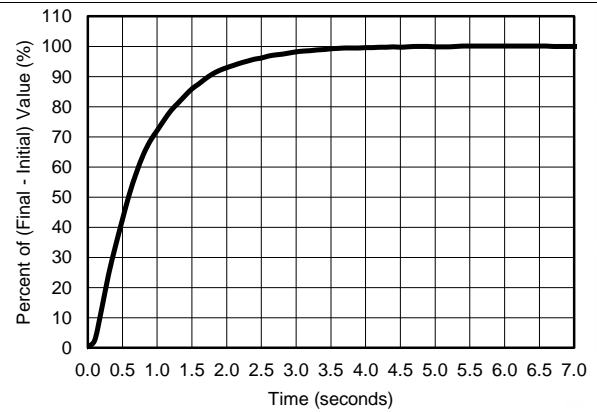
Figure 19. Thermal Response in Still Air (TO92S/LPG Package)

Typical Characteristics (continued)



VP – VN = 3.3 V
 T_{INITIAL} = 23°C, T_{FINAL} = 70°C Air Flow = 2.34 meters/sec

Figure 20. Thermal Response in Moving Air (TO92S/LPG Package)



VP – VN = 3.3 V
 T_{INITIAL} = 23°C, T_{FINAL} = 70°C

Figure 21. Thermal Response in Stirred Oil (TO92S/LPG Package)

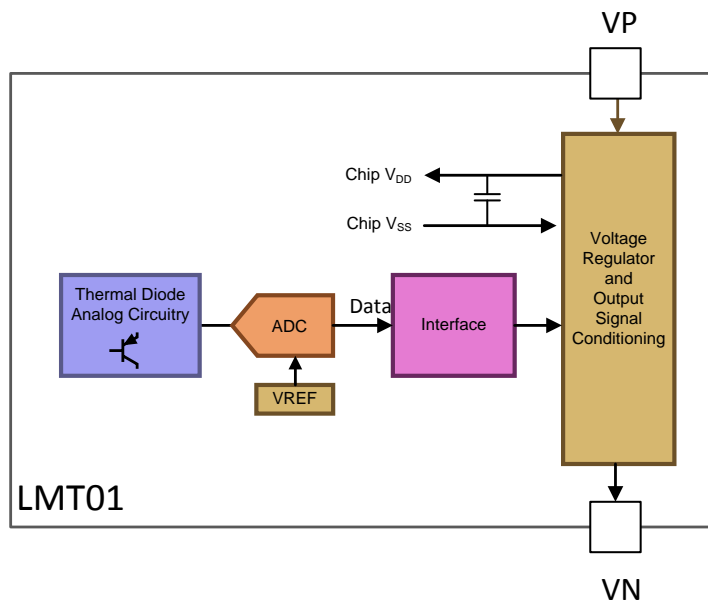
7 Detailed Description

7.1 Overview

The LMT01 temperature output is transmitted over a single wire using a train of current pulses that typically change from 34 μA to 125 μA . A simple resistor can then be used to convert the current pulses to a voltage. With a 10-k Ω resistor, the output voltage levels range from 340 mV to 1.25 V, typically. A simple microcontroller comparator or external transistor can be used convert this signal to valid logic levels the microcontroller can process properly through a GPIO pin. The temperature can be determined by gating a simple counter on for a specific time interval to count the total number of output pulses. After power is first applied to the device the current level will remain below 34 μA for at most 54 ms while the LMT01 is determining the temperature. When the temperature is determined, the pulse train begins. The individual pulse frequency is typically 88 kHz. The LMT01 will continuously convert and transmit data when the power is applied approximately every 104 ms (maximum).

The LMT01 uses thermal diode analog circuitry to detect the temperature. The temperature signal is then amplified and applied to the input of a $\Sigma\Delta$ ADC that is driven by an internal reference voltage. The $\Sigma\Delta$ ADC output is then processed through the interface circuitry into a digital pulse train. The digital pulse train is then converted to a current pulse train by the output signal conditioning circuitry that includes high and low current regulators. The voltage applied across the pins of the LMT01 is regulated by an internal voltage regulator to provide a consistent Chip V_{DD} that is used by the ADC and its associated circuitry.

7.2 Functional Block Diagram



7.3 Feature Description

7.3.1 Output Interface

The LMT01 provides a digital output in the form of a pulse count that is transmitted by a train of current pulses. After the LMT01 is powered up, it transmits a very low current of 34 μA for less than 54 ms while the part executes a temperature to digital conversion, as shown in [Figure 22](#). When the temperature-to-digital conversion is complete, the LMT01 starts to transmit a pulse train that toggles from the low current of 34 μA to a high current level of 125 μA . The pulse train total time interval is at maximum 50 ms. The LMT01 transmits a series of pulses equivalent to the pulse count at a given temperature as described in [Electrical Characteristics - TO-92/LPG Pulse Count to Temperature LUT](#). After the pulse count has been transmitted the LMT01 current level will remain low for the remainder of the 50 ms. The total time for the temperature to digital conversion and the pulse train time interval is 104 ms (maximum). If power is continuously applied, the pulse train output will repeat start every 104 ms (maximum).

Feature Description (continued)

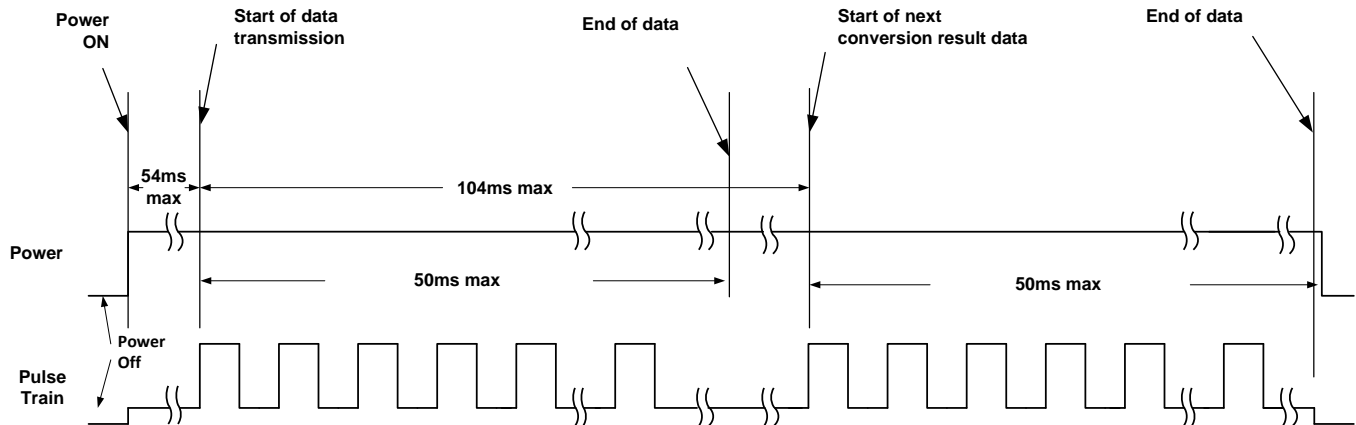


Figure 22. Temperature to Digital Pulse Train Timing Cycle

The LMT01 can be powered down at any time to conserve system power. Take care to ensure that a minimum power-down wait time of 50 ms is used before the device is turned on again.

7.3.2 Output Transfer Function

The LMT01 outputs at minimum 1 pulse and a theoretical maximum 4095 pulses. Each pulse has a weight of 0.0625°C. One pulse corresponds to a temperature less than -50°C while a pulse count of 4096 corresponds to a temperature greater than 200°C. Note that the LMT01 is only ensured to operate up to 150°C. Exceeding this temperature by more than 5°C may damage the device. The accuracy of the device degrades as well when 150°C is exceeded.

Two different methods of converting the pulse count to a temperature value are discussed in this section. The first method is the least accurate and uses a first order equation, and the second method is the most accurate and uses linear interpolation of the values found in the look-up table (LUT) as described in [Electrical Characteristics - TO-92/LPG Pulse Count to Temperature LUT](#).

The output transfer function appears to be linear and can be approximated by [Equation 1](#):

$$\text{Temp} = \left(\frac{\text{PC}}{4096} \times 256^\circ\text{C} \right) - 50^\circ\text{C}$$

where

- PC is the Pulse Count
- Temp is the temperature reading

(1)

[Table 1](#) shows some sample calculations using [Equation 1](#).

Table 1. Sample Calculations Using Equation 1

TEMPERATURE (°C)	NUMBER OF PULSES
-49.9375	1
-49.875	2
-40	160
-20	480
0	800
30	1280
50	1600
100	2400
150	3200

The curve shown in [Figure 23](#) shows the output transfer function using [Equation 1](#) (blue line) and the look-up table (LUT) found in [Electrical Characteristics - TO-92/LPG Pulse Count to Temperature LUT](#) (red line). The LMT01 output transfer function as described by the LUT appears to be linear, but upon close inspection, it can be seen as truly not linear. To actually see the difference, the accuracy obtained by the two methods must be compared.

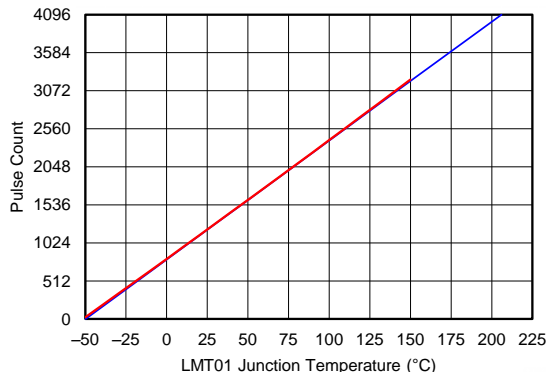


Figure 23. LMT01 Output Transfer Function

For more exact temperature readings the output pulse count can be converted to temperature using linear interpolation of the values found in [Electrical Characteristics - TO-92/LPG Pulse Count to Temperature LUT](#).

The curves in [Figure 24](#) and [Figure 25](#), show the accuracy of typical units when using the [Equation 1](#) and linear interpolation using [Electrical Characteristics - TO-92/LPG Pulse Count to Temperature LUT](#), respectively. When compared, the improved performance when using the LUT linear interpolation method can clearly be seen. For a limited temperature range of 25°C to 80°C, the error shown in [Figure 24](#) is flat, so the linear equation will provide good results. For a wide temperature range, TI recommends that linear interpolation and the LUT be used.

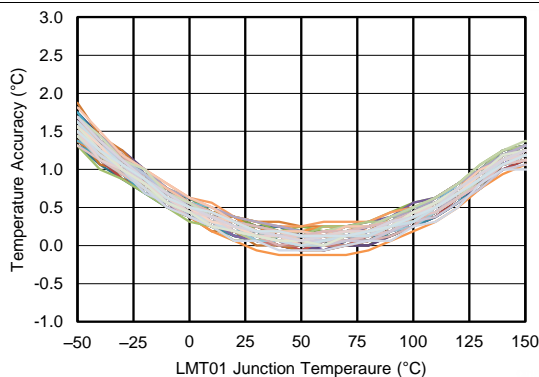


Figure 24. LMT01 Typical Accuracy When Using First Order Equation [Equation 1](#) – 92 Typical Units Plotted at (VP – VN) = 2.15 V

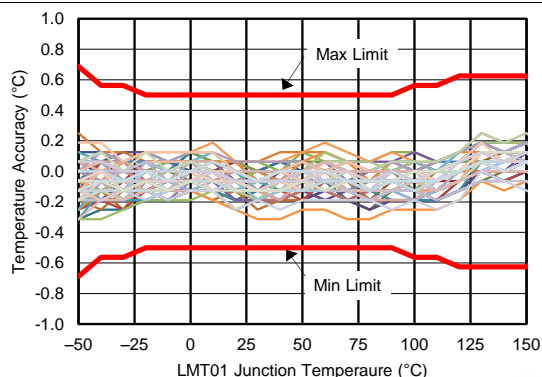


Figure 25. LMT01 Accuracy Using Linear Interpolation of LUT Found In [Electrical Characteristics - TO-92/LPG Pulse Count to Temperature LUT](#) – 92 typical units plotted at (VP – VN) = 2.15 V

7.3.3 Current Output Conversion to Voltage

The minimum voltage drop across the LMT01 must be maintained at 2.15 V during the conversion cycle. After the conversion cycle, the minimum voltage drop can decrease to 2.0 V. Thus the LMT01 can be used for low voltage applications. See [Application Information](#) for more information on low voltage operation and other information on picking the actual resistor value for different applications conditions. The resistor value is dependent on the power supply level and the variation and the threshold level requirements of the circuitry the resistor is driving (that is, MCU, GPIO, or Comparator).

Stray capacitance can be introduced when connecting the LMT01 through a long wire. This stray capacitance influences the signal rise and fall times. The wire inductance has negligible effect on the AC signal integrity. A simple RC time constant model as shown in [Figure 26](#) can be used to determine the rise and fall times.

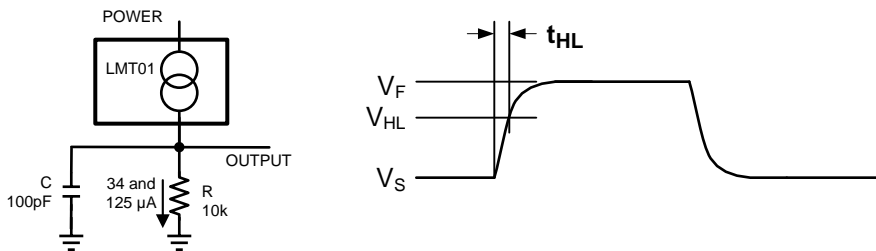


Figure 26. Simple RC Model for Rise and Fall Times

$$t_{HL} = R \times C \times \ln \left(\frac{V_F - V_S}{V_F - V_{HL}} \right)$$

where

- RC as shown in [Figure 26](#)
 - V_{HL} is the target high level
 - the final voltage $V_F = 125 \mu\text{A} \times R$
 - the start voltage $V_S = 34 \mu\text{A} \times R$
- (2)

For the 10% to 90% level rise time (t_r), [Equation 2](#) simplifies to:

$$t_r = R \times C \times 2.197$$

(3)

Take care to ensure that the LMT01 voltage drop does not exceed 300 mV under reverse bias conditions, as given in the [Absolute Maximum Ratings](#).

7.4 Device Functional Modes

The only functional mode the LMT01 has is that it provides a pulse count output that is directly proportional to temperature.

8 Application and Implementation

NOTE

Information in the following applications sections is not part of the TI component specification, and TI does not warrant its accuracy or completeness. TI's customers are responsible for determining suitability of components for their purposes. Customers should validate and test their design implementation to confirm system functionality.

8.1 Application Information

8.1.1 Mounting, Temperature Conductivity, and Self-Heating

The LMT01 can be applied easily in the same way as other integrated-circuit temperature sensors. It can be glued or cemented to a surface to ensure good temperature conductivity. The temperatures of the lands and traces to the leads of the LMT01 also affect the temperature reading, so they must be as thin as possible.

Alternatively, the LMT01 can be mounted inside a sealed-end metal tube, and then can be dipped into a bath or screwed into a threaded hole in a tank. As with any IC, the LMT01 and accompanying wiring and circuits must be kept insulated and dry to avoid excessive leakage and corrosion. Printed-circuit coatings are often used to ensure that moisture cannot corrode the leads or circuit traces.

The junction temperature of the LMT01 is the actual temperature being measured by the device. The thermal resistance junction-to-ambient ($R_{\theta JA}$) is the parameter (from [Thermal Information](#)) used to calculate the rise of a device junction temperature (self-heating) due to its average power dissipation. The average power dissipation of the LMT01 is dependent on the temperature it is transmitting as it effects the output pulse count and the voltage across the device. [Equation 4](#) is used to calculate the self-heating in the die temperature of the LMT01 (T_{SH}).

$$T_{SH} = \left[I_{OL} \times \frac{t_{CONV}}{(t_{CONV} + t_{DATA})} \times V_{CONV} \right] + \left[\left(\frac{PC}{4096} \times \frac{(I_{OL} + I_{OH})}{2} \right) + \left(\frac{(4096 - PC)}{4096} \times I_{OL} \right) \right] \times \frac{t_{DATA}}{(t_{CONV} + t_{DATA})} \times V_{DATA} \times R_{\theta JA}$$

where

- T_{SH} is the ambient temperature
- I_{OL} and I_{OH} are the output low and high current level, respectively
- V_{CONV} is the voltage across the LMT01 during conversion
- V_{DATA} is the voltage across the LMT01 during data transmission
- t_{CONV} is the conversion time
- t_{DATA} is the data transmission time
- PC is the output pulse count
- $R_{\theta JA}$ is the junction to ambient package thermal resistance (4)

Plotted in the curve [Figure 27](#) are the typical average supply current (black line using left y axis) and the resulting self-heating (red and violet lines using right y axis) during continuous conversions. A temperature range of -50°C to $+150^{\circ}\text{C}$, a V_{CONV} of 5 V (red line) and 2.15 V (violet line) were used for the self-heating calculation. As can be seen in the curve, the average power supply current and thus the average self-heating changes linearly over temperature because the number of pulses increases with temperature. A negligible self-heating of about $45\text{m}^{\circ}\text{C}$ is observed at 150°C with continuous conversions. If temperature readings are not required as frequently as every 100 ms, self-heating can be minimized by shutting down power to the part periodically thus lowering the average power dissipation.

Application Information (continued)

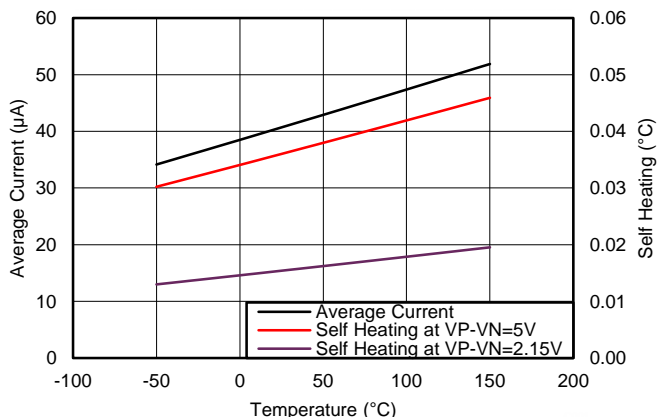


Figure 27. Average Current Draw and Self-Heating Over Temperature

8.2 Typical Application

8.2.1 3.3-V System VDD MSP430 Interface - Using Comparator Input

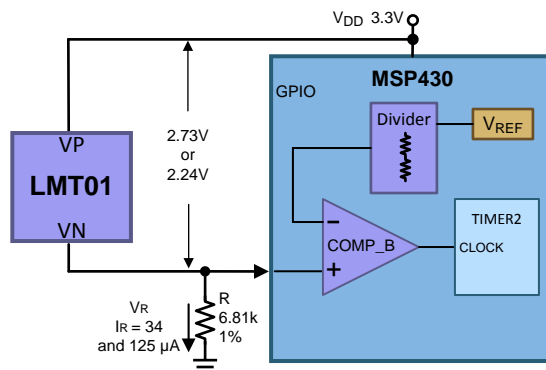


Figure 28. MSP430 Comparator Input Implementation

8.2.1.1 Design Requirements

The design requirements listed in are used in the detailed design procedure.

Table 2. Design Parameters

DESIGN PARAMETER	EXAMPLE VALUE
VDD	3.3 V
VDD minimum	3.0 V
LMT01 VP – VN minimum during conversion	2.15 V
LMT01 VP – VN minimum during data transmission	2.0 V
Noise margin	50 mV minimum
Comparator input current over temperature range of interest	< 1 µA
Resistor tolerance	1%

8.2.1.2 Detailed Design Procedure

First, select the R and determine the maximum logic low voltage and the minimum logic high voltage while ensuring that when the LMT01 is converting, the minimum ($V_P - V_N$) requirement of 2.15 V is met.

- Select R using minimum $V_P - V_N$ during data transmission (2 V) and maximum output current of the LMT01 (143.75 μA)
 - $R = (3.0 \text{ V} - 2 \text{ V}) / 143.75 \mu\text{A} = 6.993 \text{ k}$ the closest 1% resistor is 6.980 k
 - 6.993 k is the maximum resistance so if using 1% tolerance resistor the actual resistor value needs to be 1% less than 6.993 k and 6.98 k is 0.2% less than 6.993 k thus 6.81 k must be used.
- Check to see if the 2.15-V minimum voltage during conversion requirement for the LMT01 is met with the maximum I_{OL} of 39 μA and maximum R of 6.81 k + 1%:
 - $V_{LMT01} = 3 \text{ V} - (6.81 \text{ k} \times 1.01) \times 39 \mu\text{A} = 2.73 \text{ V}$
- Find the maximum low level voltage range using the maximum R of 6.81 k and maximum I_{OL} of 39 μA :
 - $V_{RLmax} = (6.81 \text{ k} \times 1.01) \times 39 \mu\text{A} = 268 \text{ mV}$
- Find the minimum high level voltage using the minimum R of 6.81 k and minimum I_{OH} of 112.5 μA :
 - $V_{RHmin} = (6.81 \text{ k} \times 0.99) \times 112.5 \mu\text{A} = 758 \text{ mV}$

Now select the MSP430 comparator threshold voltage that enables the LMT01 to communicate to the MSP430 properly.

- The MSP430 voltage is selected by selecting the internal V_{REF} and then choosing the appropriate 1 of n/32 settings for n of 1 to 31.
 - $V_{MID} = (V_{RLmax} - V_{RHmin}) / 2 + V_{RHmin} = (758 \text{ mV} - 268 \text{ mV}) / 2 + 268 \text{ mV} = 513 \text{ mV}$
 - $n = (V_{MID} / V_{REF}) \times 32 = (0.513 / 2.5) \times 32 = 7$
- To prevent oscillation of the comparator, output hysteresis must be implemented. The MSP430 allows this by enabling different n for the rising edge and falling edge of the comparator output. For a falling comparator output transition, N must be set to 6.
- Determine the noise margin caused by variation in comparator threshold level. Even though the comparator threshold level theoretically is set to V_{MID} , the actual level varies from device to device due to V_{REF} tolerance, resistor divider tolerance, and comparator offset. For proper operation, the COMP_B worst case input threshold levels must be within the minimum high and maximum low voltage levels presented across R, V_{RHmin} and V_{RLmax} , respectively

$$V_{CHmax} = V_{REF} \times (1 + V_{REF_TOL}) \times \frac{(N + N_TOL)}{32} + COMP_OFFSET$$

where

- V_{REF} is the MSP430 COMP_B reference voltage for this example at 2.5 V
 - V_{REF_TOL} is the tolerance of the V_{REF} of 1% or 0.01,
 - N is the divisor for the MSP430 or 7
 - N_TOL is the tolerance of the divisor or 0.5
 - $COMP_OFFSET$ is the comparator offset specification or 10 mV
- (5)

$$V_{CLmin} = V_{REF} \times (1 - V_{REF_TOL}) \times \frac{(N - N_TOL)}{32} - COMP_OFFSET$$

where

- V_{REF} is the MSP430 COMP_B reference voltage for this example at 2.5 V,
 - V_{REF_TOL} is the tolerance of the V_{REF} of 1% or 0.01,
 - N is the divisor for the MSP430 for the hysteresis setting or 6,
 - N_TOL is the tolerance of the divisor or 0.5,
 - $COMP_OFFSET$ is the comparator offset specification or 10 mV
- (6)

The noise margin is the minimum of the two differences:

$$(V_{RHmin} - V_{CHmax}) \text{ or } (V_{CHmin} - V_{RLmax}) \quad (7)$$

which works out to be 145 mV.

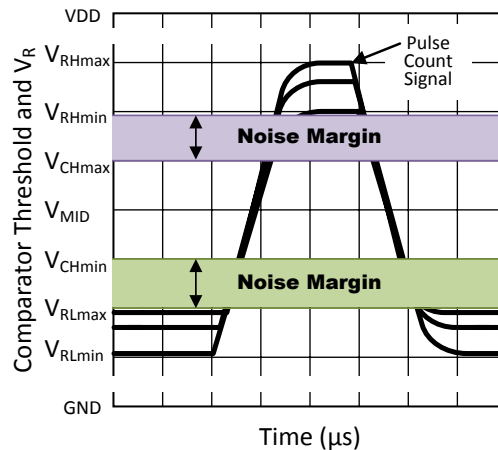


Figure 29. Pulse Count Signal Amplitude Variation

8.2.1.2.1 Setting the MSP430 Threshold and Hysteresis

The comparator hysteresis determines the noise level that the signal can support without causing the comparator to trip falsely and resulting in an inaccurate pulse count. The comparator hysteresis is set by the precision of the MSP430 and what thresholds it is capable of. For this case, as the input signal transitions high, the comparator threshold is dropped by 77 mV. If the noise on the signal is kept below this level as it transitions, the comparator will not trip falsely. In addition, the MSP430 has a digital filter on the COMP_B output that be used to further filter output transitions that occur too quickly.

8.2.1.3 Application Curves

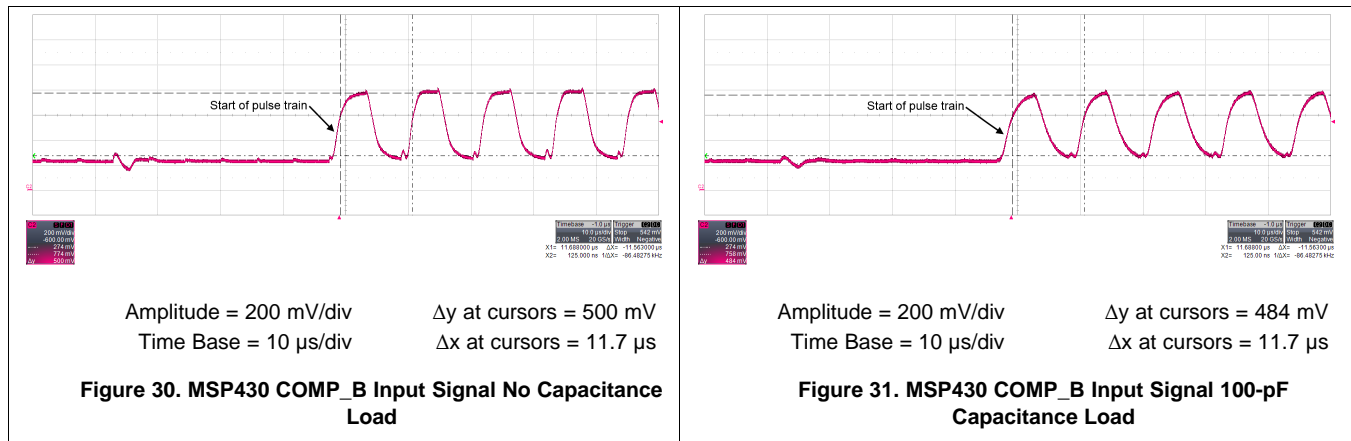


Figure 30. MSP430 COMP_B Input Signal No Capacitance Load

Figure 31. MSP430 COMP_B Input Signal 100-pF Capacitance Load

8.3 System Examples

The LMT01 device can be configured in a number of ways. Transistor level shifting can be used so that the output pulse of the device can be read with a GPIO (see Figure 32). An isolation block can be inserted to achieve electrical isolation (see Figure 33). Multiple LMT01 devices can be controlled with GPIOs enabling temperature monitor for multiple zones. Lastly, the LMT01 device can be configured to have a common ground with a high side signal (see Figure 35).

System Examples (continued)

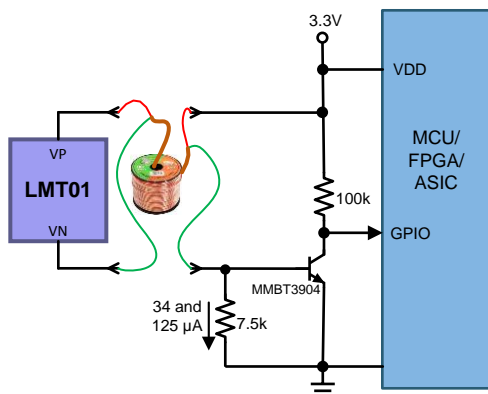


Figure 32. Transistor Level Shifting

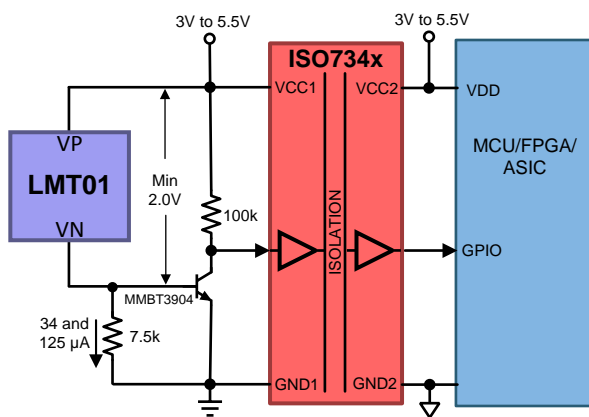
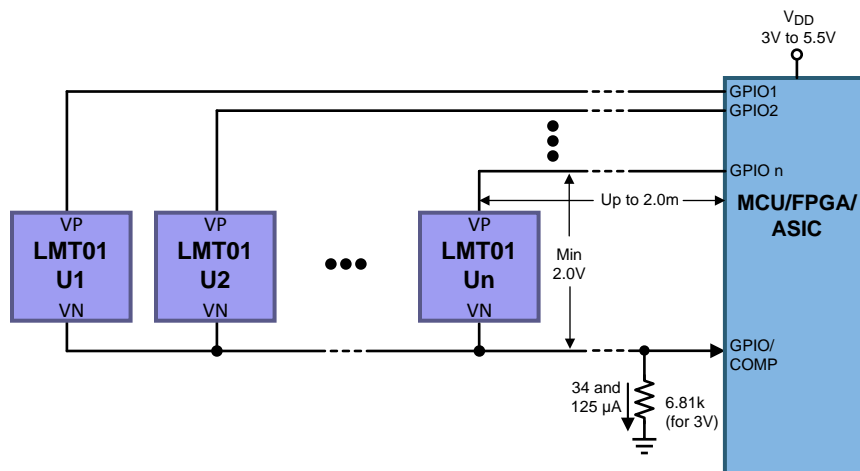


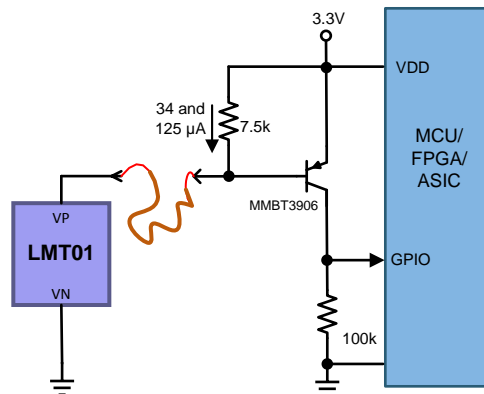
Figure 33. Isolation



Note: to turn off an LMT01 set the GPIO pin connected to VP to high impedance state as setting it low would cause the off LMT01 to be reverse biased. Comparator input of MCU must be used.

Figure 34. Connecting Multiple Devices to One MCU Input Pin

System Examples (continued)



Note: the VN of the LMT01 must be connected to the MCU GND.

Figure 35. Common Ground With High-Side Signal

9 Power Supply Recommendations

Because the LMT01 is only a 2-pin device the power pins are common with the signal pins, thus the LMT01 has a floating supply that can vary greatly. The LMT01 has an internal regulator that provides a stable voltage to internal circuitry.

Take care to prevent reverse biasing of the LMT01 as exceeding the absolute maximum ratings may cause damage to the device.

Power supply ramp rate can effect the accuracy of the first result transmitted by the LMT01. As shown in Figure 36 with a 1-ms rise time, the LMT01 output code is at 1286, which converts to 30.125°C. The scope photo shown in Figure 37 reflects what happens when the rise time is too slow. In Figure 37, the power supply (yellow trace) is still ramping up to final value while the LMT01 (red trace) has already started a conversion. This causes the output pulse count to decrease from the previously shown 1286, to 1282 (or 29.875°C). Thus, for slow ramp rates, TI recommends that the first conversion be discarded. For even slower ramp rates, more than one conversion may have to be discarded as TI recommends that either the power supply be within final value before a conversion is used or that ramp rates be faster than 2.5 ms.

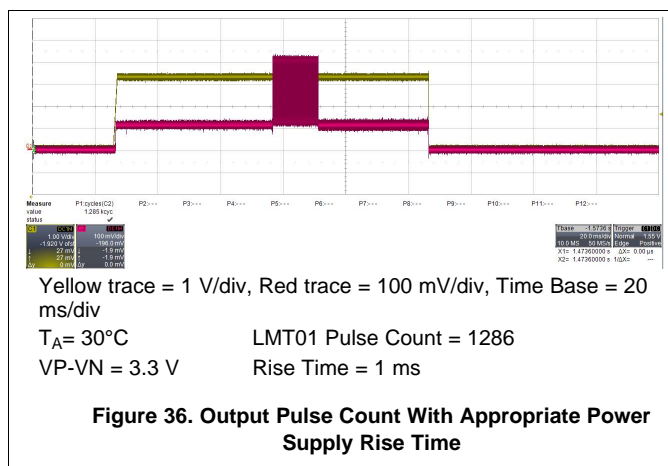


Figure 36. Output Pulse Count With Appropriate Power Supply Rise Time

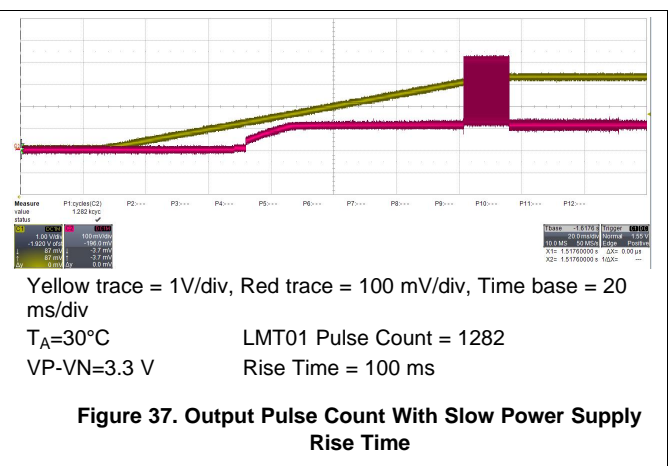


Figure 37. Output Pulse Count With Slow Power Supply Rise Time

10 Layout

10.1 Layout Guidelines

The LMT01 can be mounted to a PCB as shown in [Figure 38](#) and [Figure 39](#). Take care to make the traces leading to the pads as small as possible to minimize their effect on the temperature the LMT01 is measuring.

10.2 Layout Example

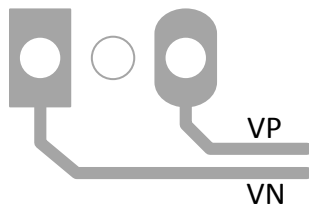


Figure 38. Layout Example (TO92S/LPG Package)

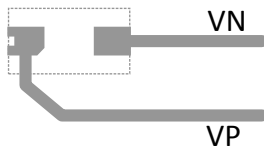


Figure 39. Layout Example for the DQX (WSON) Package

11 Device and Documentation Support

11.1 Receiving Notification of Documentation Updates

To receive notification of documentation updates, navigate to the device product folder on ti.com. In the upper right corner, click on *Alert me* to register and receive a weekly digest of any product information that has changed. For change details, review the revision history included in any revised document.

11.2 Community Resources

The following links connect to TI community resources. Linked contents are provided "AS IS" by the respective contributors. They do not constitute TI specifications and do not necessarily reflect TI's views; see TI's [Terms of Use](#).

TI E2E™ Online Community *TI's Engineer-to-Engineer (E2E) Community*. Created to foster collaboration among engineers. At e2e.ti.com, you can ask questions, share knowledge, explore ideas and help solve problems with fellow engineers.

Design Support *TI's Design Support* Quickly find helpful E2E forums along with design support tools and contact information for technical support.

11.3 Trademarks

E2E is a trademark of Texas Instruments.
All other trademarks are the property of their respective owners.

11.4 Electrostatic Discharge Caution



This integrated circuit can be damaged by ESD. Texas Instruments recommends that all integrated circuits be handled with appropriate precautions. Failure to observe proper handling and installation procedures can cause damage.

ESD damage can range from subtle performance degradation to complete device failure. Precision integrated circuits may be more susceptible to damage because very small parametric changes could cause the device not to meet its published specifications.

11.5 Glossary

[SLYZ022](#) — *TI Glossary*.

This glossary lists and explains terms, acronyms, and definitions.

12 Mechanical, Packaging, and Orderable Information

The following pages include mechanical, packaging, and orderable information. This information is the most current data available for the designated devices. This data is subject to change without notice and revision of this document. For browser-based versions of this data sheet, refer to the left-hand navigation.

PACKAGING INFORMATION

Orderable Device	Status (1)	Package Type	Package Drawing	Pins	Package Qty	Eco Plan (2)	Lead finish/ Ball material (6)	MSL Peak Temp (3)	Op Temp (°C)	Device Marking (4/5)	Samples
LMT01DQXR	ACTIVE	WSON	DQX	2	3000	RoHS & Green	SN	Level-1-260C-UNLIM	-50 to 150	13N	Samples
LMT01DQXT	LIFEBUY	WSON	DQX	2	250	RoHS & Green	Call TI	Level-1-260C-UNLIM	-50 to 150	13N	
LMT01LPG	ACTIVE	TO-92	LPG	2	1000	RoHS & Green	SN	N / A for Pkg Type	-50 to 150	LMT01	Samples
LMT01LPGM	ACTIVE	TO-92	LPG	2	3000	RoHS & Green	SN	N / A for Pkg Type	-50 to 150	LMT01	Samples

(1) The marketing status values are defined as follows:

ACTIVE: Product device recommended for new designs.

LIFEBUY: TI has announced that the device will be discontinued, and a lifetime-buy period is in effect.

NRND: Not recommended for new designs. Device is in production to support existing customers, but TI does not recommend using this part in a new design.

PREVIEW: Device has been announced but is not in production. Samples may or may not be available.

OBsolete: TI has discontinued the production of the device.

(2) **RoHS:** TI defines "RoHS" to mean semiconductor products that are compliant with the current EU RoHS requirements for all 10 RoHS substances, including the requirement that RoHS substance do not exceed 0.1% by weight in homogeneous materials. Where designed to be soldered at high temperatures, "RoHS" products are suitable for use in specified lead-free processes. TI may reference these types of products as "Pb-Free".

RoHS Exempt: TI defines "RoHS Exempt" to mean products that contain lead but are compliant with EU RoHS pursuant to a specific EU RoHS exemption.

Green: TI defines "Green" to mean the content of Chlorine (Cl) and Bromine (Br) based flame retardants meet JS709B low halogen requirements of <=1000ppm threshold. Antimony trioxide based flame retardants must also meet the <=1000ppm threshold requirement.

(3) MSL, Peak Temp. - The Moisture Sensitivity Level rating according to the JEDEC industry standard classifications, and peak solder temperature.

(4) There may be additional marking, which relates to the logo, the lot trace code information, or the environmental category on the device.

(5) Multiple Device Markings will be inside parentheses. Only one Device Marking contained in parentheses and separated by a "-" will appear on a device. If a line is indented then it is a continuation of the previous line and the two combined represent the entire Device Marking for that device.

(6) Lead finish/Ball material - Orderable Devices may have multiple material finish options. Finish options are separated by a vertical ruled line. Lead finish/Ball material values may wrap to two lines if the finish value exceeds the maximum column width.

Important Information and Disclaimer:The information provided on this page represents TI's knowledge and belief as of the date that it is provided. TI bases its knowledge and belief on information provided by third parties, and makes no representation or warranty as to the accuracy of such information. Efforts are underway to better integrate information from third parties. TI has taken and continues to take reasonable steps to provide representative and accurate information but may not have conducted destructive testing or chemical analysis on incoming materials and chemicals. TI and TI suppliers consider certain information to be proprietary, and thus CAS numbers and other limited information may not be available for release.

In no event shall TI's liability arising out of such information exceed the total purchase price of the TI part(s) at issue in this document sold by TI to Customer on an annual basis.

OTHER QUALIFIED VERSIONS OF LMT01 :

- Automotive : [LMT01-Q1](#)

NOTE: Qualified Version Definitions:

- Automotive - Q100 devices qualified for high-reliability automotive applications targeting zero defects

TAPE AND REEL INFORMATION



QUADRANT ASSIGNMENTS FOR PIN 1 ORIENTATION IN TAPE



*All dimensions are nominal

Device	Package Type	Package Drawing	Pins	SPQ	Reel Diameter (mm)	Reel Width W1 (mm)	A0 (mm)	B0 (mm)	K0 (mm)	P1 (mm)	W (mm)	Pin1 Quadrant
LMT01DQXR	WSON	DQX	2	3000	180.0	8.4	2.0	2.8	1.0	4.0	8.0	Q1
LMT01DQXT	WSON	DQX	2	250	180.0	8.4	2.0	2.8	1.0	4.0	8.0	Q1

TAPE AND REEL BOX DIMENSIONS


*All dimensions are nominal

Device	Package Type	Package Drawing	Pins	SPQ	Length (mm)	Width (mm)	Height (mm)
LMT01DQXR	WSON	DQX	2	3000	200.0	183.0	25.0
LMT01DQXT	WSON	DQX	2	250	200.0	183.0	25.0

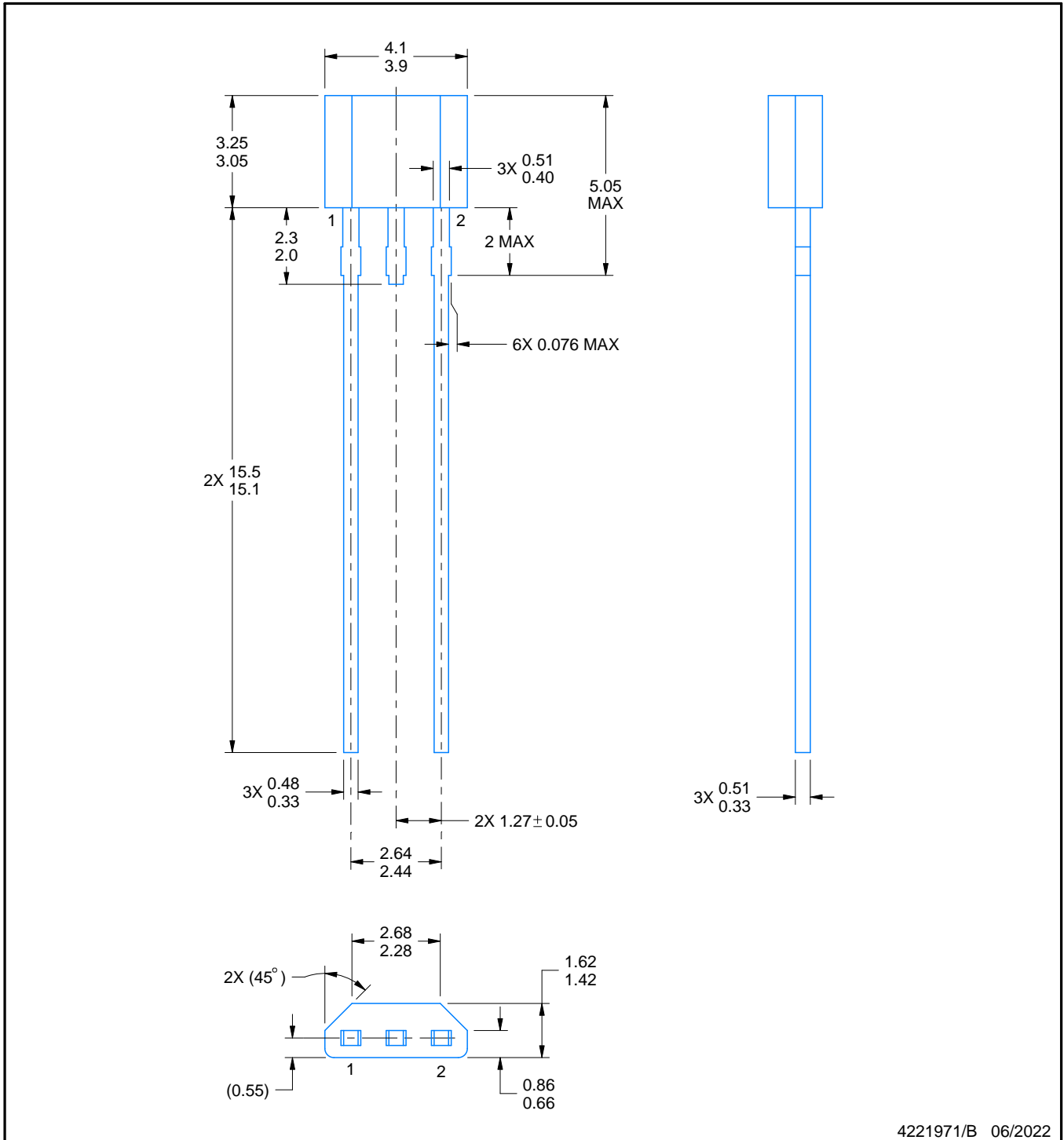
LPG0002A



PACKAGE OUTLINE

TO-92 - 5.05 mm max height

TRANSISTOR OUTLINE



4221971/B 06/2022

NOTES:

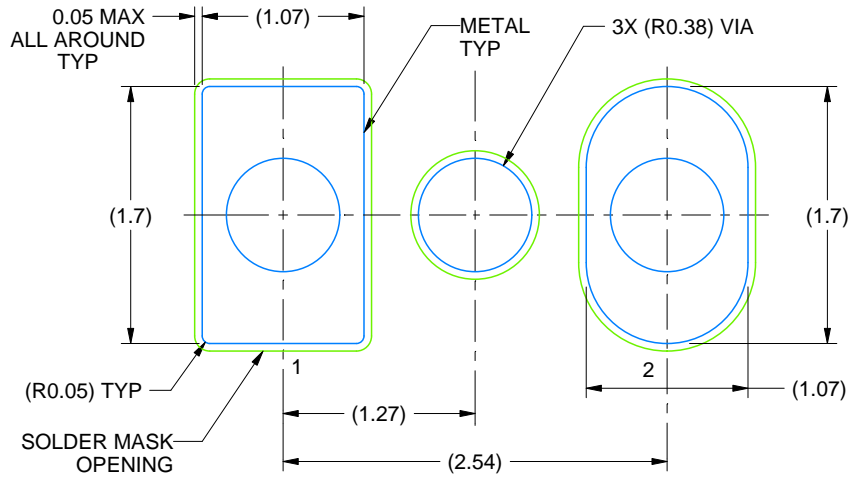
1. All linear dimensions are in millimeters. Any dimensions in parenthesis are for reference only. Dimensioning and tolerancing per ASME Y14.5M.
2. This drawing is subject to change without notice.

EXAMPLE BOARD LAYOUT

LPG0002A

TO-92 - 5.05 mm max height

TRANSISTOR OUTLINE



LAND PATTERN EXAMPLE
NON-SOLDER MASK DEFINED
SCALE:20X

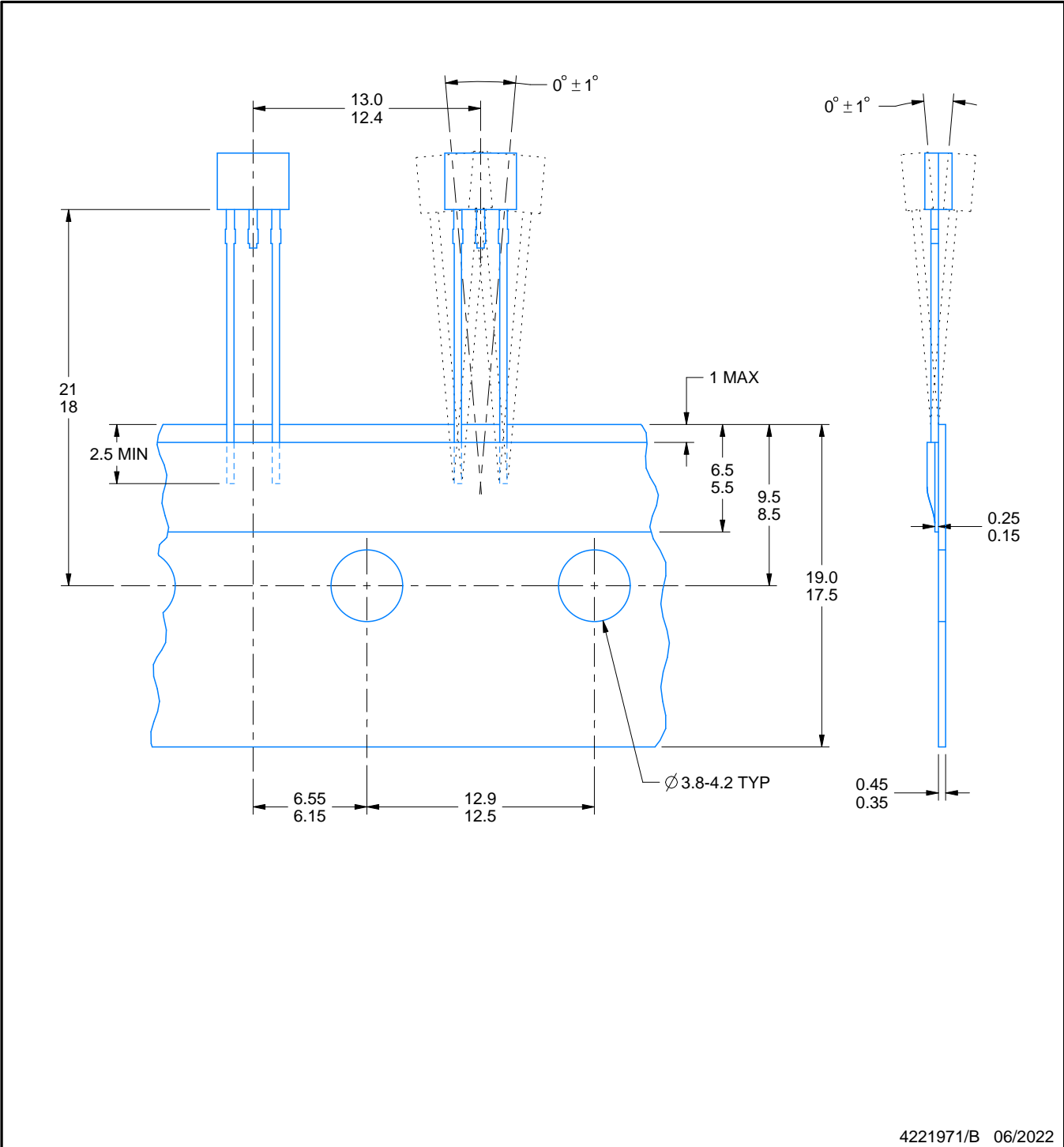
4221971/B 06/2022

TAPE SPECIFICATIONS

LPG0002A

TO-92 - 5.05 mm max height

TRANSISTOR OUTLINE



GENERIC PACKAGE VIEW

DQX 2

WSO - 0.8 mm max height

1.7 x 2.5, 0 mm pitch

PLASTIC SMALL OUTLINE - NO LEAD

This image is a representation of the package family, actual package may vary.
Refer to the product data sheet for package details.



4225319/A

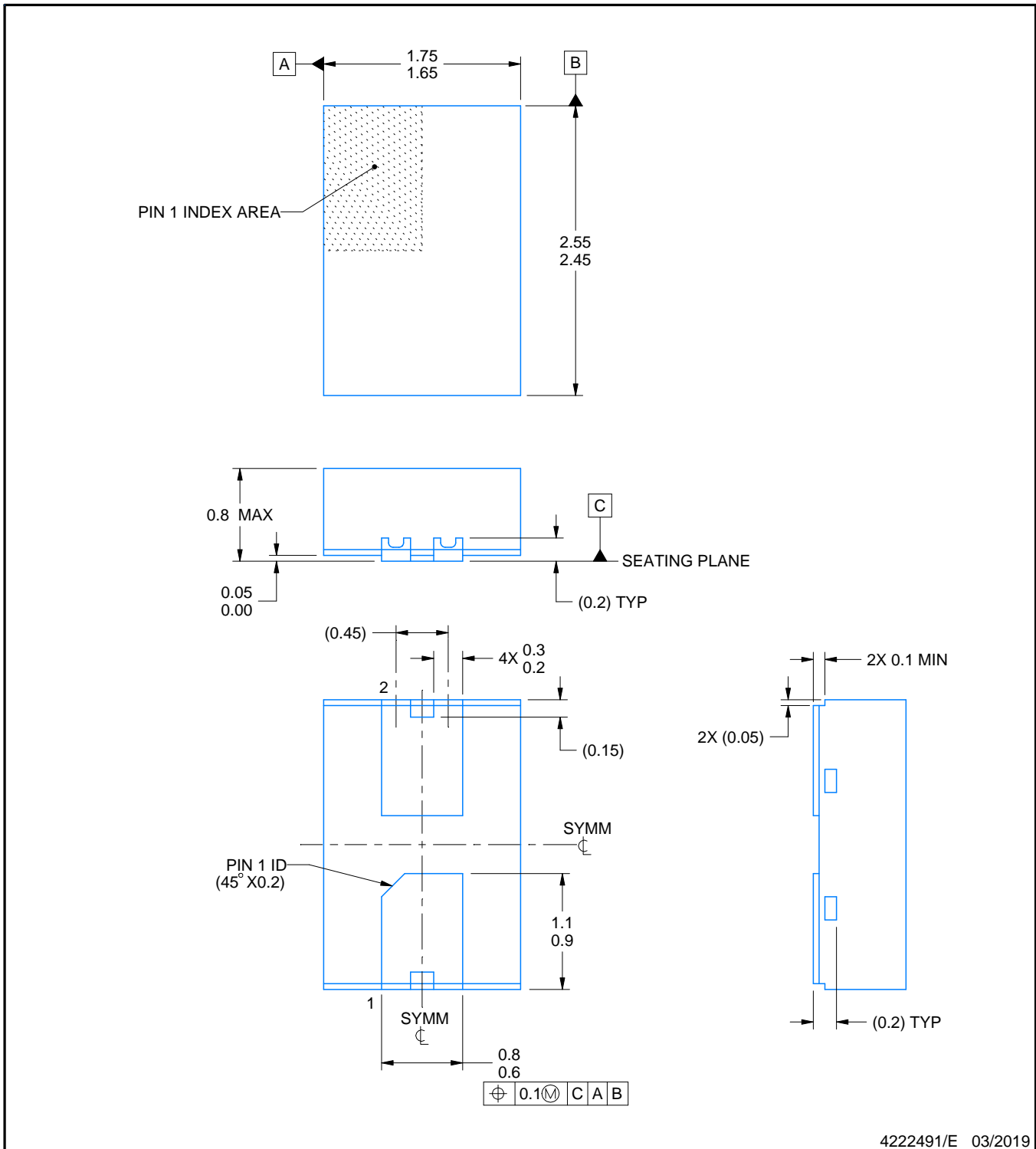
DQX0002A



PACKAGE OUTLINE

WSO - 0.8 mm max height

PLASTIC SMALL OUTLINE - NO LEAD



4222491/E 03/2019

NOTES:

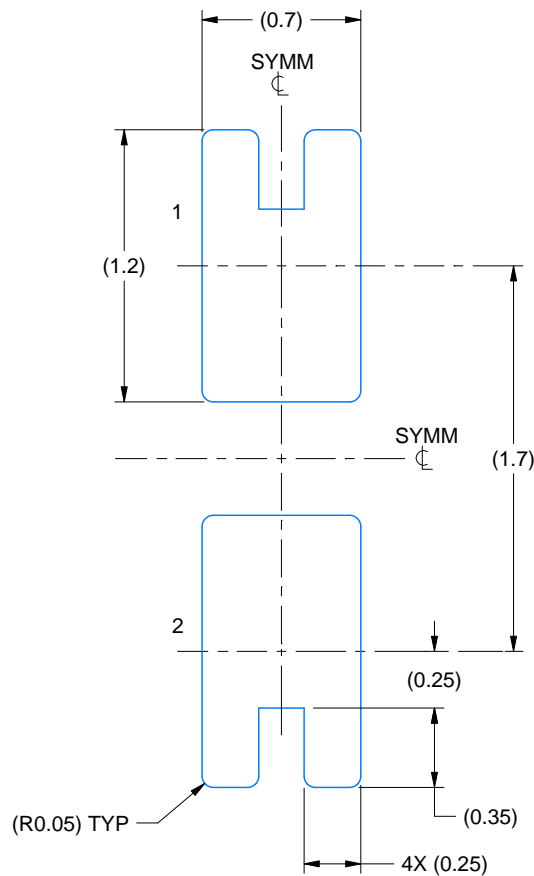
1. All linear dimensions are in millimeters. Any dimensions in parenthesis are for reference only. Dimensioning and tolerancing per ASME Y14.5M
2. This drawing is subject to change without notice.

EXAMPLE BOARD LAYOUT

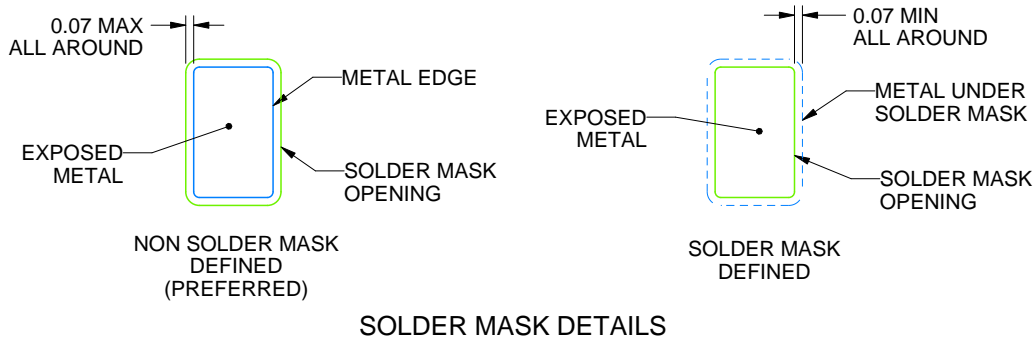
DQX0002A

WSON - 0.8 mm max height

PLASTIC SMALL OUTLINE - NO LEAD



LAND PATTERN EXAMPLE
EXPOSED METAL SHOWN
SCALE:30X



4222491/E 03/2019

NOTES: (continued)

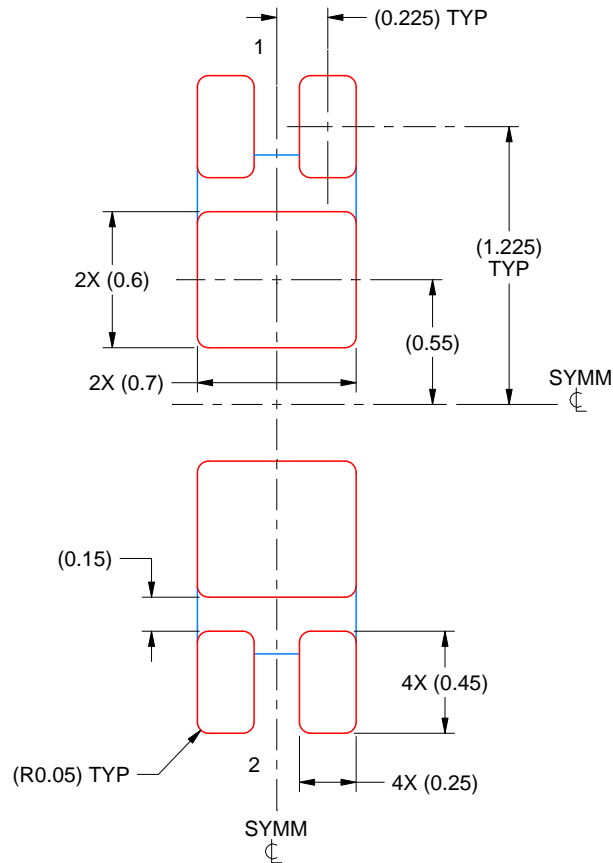
3. For more information, see Texas Instruments literature number SLUA271 (www.ti.com/lit/sluea271).
4. Vias are optional depending on application, refer to device data sheet. If any vias are implemented, refer to their locations shown on this view. It is recommended that vias under paste be filled, plugged or tented.

EXAMPLE STENCIL DESIGN

DQX0002A

WSON - 0.8 mm max height

PLASTIC SMALL OUTLINE - NO LEAD



SOLDER PASTE EXAMPLE
BASED ON 0.1 mm THICK STENCIL

81% PRINTED SOLDER COVERAGE BY AREA UNDER PACKAGE
SCALE:30X

4222491/E 03/2019

NOTES: (continued)

5. Laser cutting apertures with trapezoidal walls and rounded corners may offer better paste release. IPC-7525 may have alternate design recommendations.

IMPORTANT NOTICE AND DISCLAIMER

TI PROVIDES TECHNICAL AND RELIABILITY DATA (INCLUDING DATA SHEETS), DESIGN RESOURCES (INCLUDING REFERENCE DESIGNS), APPLICATION OR OTHER DESIGN ADVICE, WEB TOOLS, SAFETY INFORMATION, AND OTHER RESOURCES "AS IS" AND WITH ALL FAULTS, AND DISCLAIMS ALL WARRANTIES, EXPRESS AND IMPLIED, INCLUDING WITHOUT LIMITATION ANY IMPLIED WARRANTIES OF MERCHANTABILITY, FITNESS FOR A PARTICULAR PURPOSE OR NON-INFRINGEMENT OF THIRD PARTY INTELLECTUAL PROPERTY RIGHTS.

These resources are intended for skilled developers designing with TI products. You are solely responsible for (1) selecting the appropriate TI products for your application, (2) designing, validating and testing your application, and (3) ensuring your application meets applicable standards, and any other safety, security, regulatory or other requirements.

These resources are subject to change without notice. TI grants you permission to use these resources only for development of an application that uses the TI products described in the resource. Other reproduction and display of these resources is prohibited. No license is granted to any other TI intellectual property right or to any third party intellectual property right. TI disclaims responsibility for, and you will fully indemnify TI and its representatives against, any claims, damages, costs, losses, and liabilities arising out of your use of these resources.

TI's products are provided subject to [TI's Terms of Sale](#) or other applicable terms available either on [ti.com](https://www.ti.com) or provided in conjunction with such TI products. TI's provision of these resources does not expand or otherwise alter TI's applicable warranties or warranty disclaimers for TI products.

TI objects to and rejects any additional or different terms you may have proposed.

Mailing Address: Texas Instruments, Post Office Box 655303, Dallas, Texas 75265
Copyright © 2023, Texas Instruments Incorporated