

High-Side Current-Sense and Dual 1°C Temperature Monitor

General Description

The EMC1702 is a combination high-side current sensing device with precision temperature measurement. It measures the voltage developed across an external sense resistor to represent the high-side current of a battery or voltage regulator. It also measures the source voltage and uses these measured values to present a proportional power calculation. The EMC1702 contains additional bi-directional peak detection circuitry to flag instantaneous current spikes with programmable time duration and magnitude threshold. Finally, the EMC1702 includes an external diode channel for temperature measurement as well as an internal diode for ambient temperature measurements.

The temperature measurement includes advanced features such as Resistance Error Correction (REC), Beta Compensation (to support CPU diodes requiring the BJT/transistor model including 45nm and 65nm processors), and automatic diode type detection.

Both current sensing and temperature monitoring include two tiers of protection: one that can be masked and causes the ALERT pin to be asserted, and the other that cannot be masked and causes the THERM pin to be asserted.

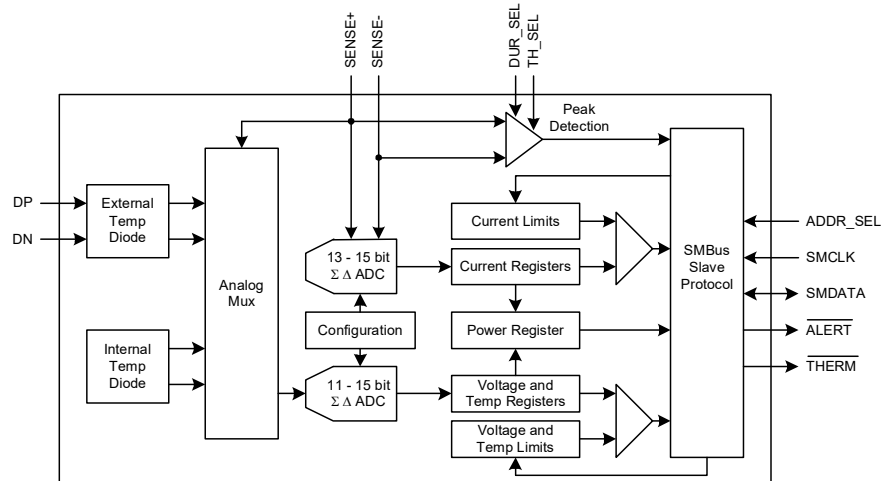
Applications

- Notebook and Desktop Computers
- Industrial
- Power Management Systems
- Embedded Applications

Features

- High-side current sensor
 - Bi-directional current measurement
 - Measures source voltage and indicates power ratio
 - 1% current measurement accuracy
 - Integrated over 82ms to 2.6sec with 11-bit resolution
 - 3V to 24V bus voltage range
- Independent hardware set instantaneous current peak detector
 - Software controls to program time duration and magnitude threshold
- Power supply options
 - Bus or separately powered for low voltage operation
- Wide temperature operating range: -40°C to +85°C
- One external temperature monitor
 - 1°C accuracy ($20^{\circ}\text{C} < T_{\text{DIODE}} < 110^{\circ}\text{C}$) with 0.125°C resolution
 - Ideality factor setting
 - Support for 45nm and 65nm CPU diodes requiring the BJT/transistor model w/ beta compensation
 - Determines external diode type and optimal settings
 - Resistance Error Correction
- Internal temperature monitor
 - $\pm 1^{\circ}\text{C}$ accuracy ($-5^{\circ}\text{C} < T_{\text{A}} < 85^{\circ}\text{C}$)
- ALERT and THERM outputs for temperature, voltage, and out-of-current limit reporting
- SMBus 2.0 interface
 - Pin-selectable SMBus Address
 - Block Read and Write
- Available in a 12-pin 4mm x 4mm QFN RoHS Compliant Package

Block Diagram



TO OUR VALUED CUSTOMERS

It is our intention to provide our valued customers with the best documentation possible to ensure successful use of your Microchip products. To this end, we will continue to improve our publications to better suit your needs. Our publications will be refined and enhanced as new volumes and updates are introduced.

If you have any questions or comments regarding this publication, please contact the Marketing Communications Department via E-mail at docerrors@microchip.com. We welcome your feedback.

Most Current Data Sheet

To obtain the most up-to-date version of this data sheet, please register at our Worldwide Web site at:

<http://www.microchip.com>

You can determine the version of a data sheet by examining its literature number found on the bottom outside corner of any page. The last character of the literature number is the version number, (e.g., DS30000000A is version A of document DS30000000).

Errata

An errata sheet, describing minor operational differences from the data sheet and recommended workarounds, may exist for current devices. As device/documentation issues become known to us, we will publish an errata sheet. The errata will specify the revision of silicon and revision of document to which it applies.

To determine if an errata sheet exists for a particular device, please check with one of the following:

- Microchip's Worldwide Web site; <http://www.microchip.com>
- Your local Microchip sales office (see last page)

When contacting a sales office, please specify which device, revision of silicon and data sheet (include -literature number) you are using.

Customer Notification System

Register on our web site at www.microchip.com to receive the most current information on all of our products.

EMC1702

Ordering Information:

| ORDERING NUMBER | PACKAGE | FEATURES |
|-----------------|--|---|
| EMC1702-1-KP-TR | 12-pin 4mm x 4mm QFN (Lead-free ROHS compliant) | External Diode, current sensor, hardware set peak detector |

REEL SIZE IS 4,000 PIECES

This product meets the halogen maximum concentration values per IEC61249-2-21

Table of Contents

| | | |
|------------------|--|-----------|
| Chapter 1 | Pin Description | 9 |
| Chapter 2 | Electrical Characteristics | 11 |
| 2.1 | Electrical Specifications | 12 |
| 2.2 | SMBus Electrical Specifications | 15 |
| Chapter 3 | Communications | 16 |
| 3.1 | System Management Bus Interface Protocol | 16 |
| 3.1.1 | SMBus Start Bit | 16 |
| 3.1.2 | SMBus Address and RD / WR Bit | 16 |
| 3.1.3 | SMBus ACK and NACK Bits | 17 |
| 3.1.4 | SMBus Stop Bit | 17 |
| 3.1.5 | SMBus Time-out | 17 |
| 3.1.6 | SMBus and I ² C Compliance | 17 |
| 3.2 | SMBus Protocols | 18 |
| 3.2.1 | Write Byte | 18 |
| 3.2.2 | Read Byte | 18 |
| 3.2.3 | Send Byte | 18 |
| 3.2.4 | Receive Byte | 19 |
| 3.2.5 | Block Write | 19 |
| 3.2.6 | Block Read | 19 |
| 3.2.7 | Alert Response Address | 20 |
| Chapter 4 | General Description | 21 |
| 4.1 | Source Monitoring | 22 |
| 4.1.1 | Current Measurement | 22 |
| 4.1.2 | Voltage Measurement | 23 |
| 4.1.3 | Power Calculation | 23 |
| 4.1.4 | Current Peak Detection | 24 |
| 4.2 | VDD Biasing Options | 26 |
| 4.3 | Modes of Operation | 26 |
| 4.4 | ALERT Output | 27 |
| 4.4.1 | ALERT Pin Interrupt Mode | 27 |
| 4.4.2 | ALERT Pin Comparator Mode | 27 |
| 4.5 | THERM Output | 27 |
| 4.6 | Temperature Measurement | 28 |
| 4.6.1 | Resistance Error Correction | 28 |
| 4.6.2 | Beta Compensation | 28 |
| 4.6.3 | Ideality Factor | 28 |
| 4.6.4 | Dynamic Averaging | 29 |
| 4.7 | Diode Connections | 29 |
| 4.7.1 | Diode Faults | 29 |
| Chapter 5 | Register Description | 30 |
| 5.1 | Data Read Interlock | 33 |
| 5.2 | Block Mode Support | 33 |
| 5.3 | Temperature Data Registers | 33 |
| 5.4 | Status Register | 34 |
| 5.5 | Configuration Register | 35 |
| 5.6 | Conversion Rate Register | 36 |
| 5.7 | Temperature Limit Registers | 37 |

EMC1702

| | | |
|------------------|--|-----------|
| 5.8 | One-Shot Register | 37 |
| 5.9 | Tcrit Limit Registers | 38 |
| 5.10 | External Diode Fault Register | 38 |
| 5.11 | Channel Mask Register | 38 |
| 5.12 | Consecutive Alert Register | 39 |
| 5.13 | Beta Configuration Registers | 40 |
| 5.14 | External Diode Ideality Factor Registers | 41 |
| 5.15 | High Limit Status Register | 42 |
| 5.16 | Low Limit Status Register | 43 |
| 5.17 | Crit Limit Status Register | 43 |
| 5.18 | Averaging Control Register | 44 |
| 5.19 | Voltage Sampling Configuration Register | 44 |
| 5.20 | Current Sense Sampling Configuration Register | 45 |
| 5.21 | Peak Detection Configuration Register | 47 |
| 5.22 | Sense Voltage Registers | 49 |
| 5.23 | Source Voltage Registers | 49 |
| 5.24 | Power Ratio Registers | 50 |
| 5.25 | V _{SENSE} Limit Registers | 50 |
| 5.26 | Source Voltage Limit Registers | 51 |
| 5.27 | Critical Voltage Limit Registers | 51 |
| 5.28 | Product Features Register | 51 |
| 5.29 | Product ID Register | 52 |
| 5.30 | Microchip ID Register | 52 |
| 5.31 | Revision Register | 52 |
| <hr/> | | |
| Chapter 6 | Package Description | 53 |
| 6.1 | EMC1702 Package Drawing (12-Pin QFN 4mm x 4mm) | 53 |
| 6.2 | EMC1702 Package Markings | 55 |
| <hr/> | | |
| Chapter 7 | Datasheet Revision History | 56 |

List of Figures

| | | |
|------------|---|----|
| Figure 1.1 | EMC1702 Pin Diagram 12-Pin QFN 4mm x 4mm | 9 |
| Figure 3.1 | SMBus Timing Diagram | 16 |
| Figure 4.1 | EMC1702 System Diagram | 21 |
| Figure 4.2 | Peak Detection Example | 25 |
| Figure 4.3 | Diode Connections | 29 |
| Figure 6.1 | 12-Pin QFN 4mm x 4mm Package Drawings | 53 |
| Figure 6.2 | 12-Pin QFN 4mm x 4mm Package Dimensions and Notes | 54 |
| Figure 6.3 | 12-Pin QFN 4mm x 4mm PCB Footprint | 54 |
| Figure 6.4 | EMC1702 Package Markings | 55 |

EMC1702

List of Tables

| | | |
|------------|--|----|
| Table 1.1 | Pin Description for EMC1702 | 9 |
| Table 1.2 | Pin Types | 10 |
| Table 2.1 | Absolute Maximum Ratings | 11 |
| Table 2.2 | Electrical Specifications | 12 |
| Table 2.3 | SMBus Electrical Specifications | 15 |
| Table 3.1 | ADDR_SEL Resistor Setting | 16 |
| Table 3.2 | Protocol Format | 18 |
| Table 3.3 | Write Byte Protocol | 18 |
| Table 3.4 | Read Byte Protocol | 18 |
| Table 3.5 | Send Byte Protocol | 18 |
| Table 3.6 | Receive Byte Protocol | 19 |
| Table 3.7 | Block Write Protocol | 19 |
| Table 3.8 | Block Read Protocol | 19 |
| Table 3.9 | Alert Response Address Protocol | 20 |
| Table 4.1 | TH_SEL Resistor Setting | 25 |
| Table 4.2 | DUR_SEL Resistor Setting | 26 |
| Table 4.3 | Dynamic Averaging Behavior | 29 |
| Table 5.1 | Register Set in Hexadecimal Order | 30 |
| Table 5.2 | Temperature Data Registers | 33 |
| Table 5.3 | Temperature Data Format | 34 |
| Table 5.4 | Status Register | 34 |
| Table 5.5 | Configuration Register | 35 |
| Table 5.6 | Conversion Rate Register | 36 |
| Table 5.7 | Conversion Rate | 36 |
| Table 5.8 | Temperature Limit Registers | 37 |
| Table 5.9 | One-Shot Register | 37 |
| Table 5.10 | Tcrit Limit Registers | 38 |
| Table 5.11 | External Diode Fault Register | 38 |
| Table 5.12 | Channel Mask Register | 38 |
| Table 5.13 | Consecutive Alert Register | 39 |
| Table 5.14 | Consecutive $\overline{\text{ALERT}}$ / $\overline{\text{THERM}}$ Settings | 40 |
| Table 5.15 | Beta Configuration Registers | 40 |
| Table 5.16 | Beta Compensation | 41 |
| Table 5.17 | Ideality Configuration Registers | 41 |
| Table 5.18 | Ideality Factor Look-Up Table (Diode Model) | 42 |
| Table 5.19 | High Limit Status Register | 42 |
| Table 5.20 | Low Limit Status Register | 43 |
| Table 5.21 | Crit Limit Status Register | 43 |
| Table 5.22 | Filter Configuration Register | 44 |
| Table 5.23 | Averaging Settings | 44 |
| Table 5.24 | Voltage Sampling Configuration Register | 44 |
| Table 5.25 | Voltage Queue Settings | 45 |
| Table 5.26 | Voltage Averaging Settings | 45 |
| Table 5.27 | Current Sense Sampling Configuration Register | 45 |
| Table 5.28 | Sense Queue Settings | 45 |
| Table 5.29 | Current Sense Averaging Settings | 46 |
| Table 5.30 | Current Sensing Sampling Time Settings | 46 |
| Table 5.31 | Total Sampling Times | 46 |
| Table 5.32 | Current Sensing Range (Full Scale Range) Settings | 47 |
| Table 5.33 | Peak Detection Configuration Register | 47 |
| Table 5.34 | PEAK_DET_TH[3:0] Bit Decode | 47 |
| Table 5.35 | PEAK_DET_DUR[3:0] Bit Decode | 48 |
| Table 5.36 | Sense Voltage Registers | 49 |

EMC1702

| | |
|---|----|
| Table 5.37 V_{SENSE} Data Format | 49 |
| Table 5.38 Source Voltage Registers | 49 |
| Table 5.39 Power Ratio Registers | 50 |
| Table 5.40 V_{SENSE} Limit Registers | 50 |
| Table 5.41 Source Voltage Limit Registers | 51 |
| Table 5.42 Critical Voltage Limit Registers | 51 |
| Table 5.43 Product Features | 51 |
| Table 5.44 Product ID Register | 52 |
| Table 5.45 Manufacturer ID Register | 52 |
| Table 5.46 Revision Register | 52 |
| Table 7.1 Customer Revision History | 56 |

EMC1702

Chapter 1 Pin Description

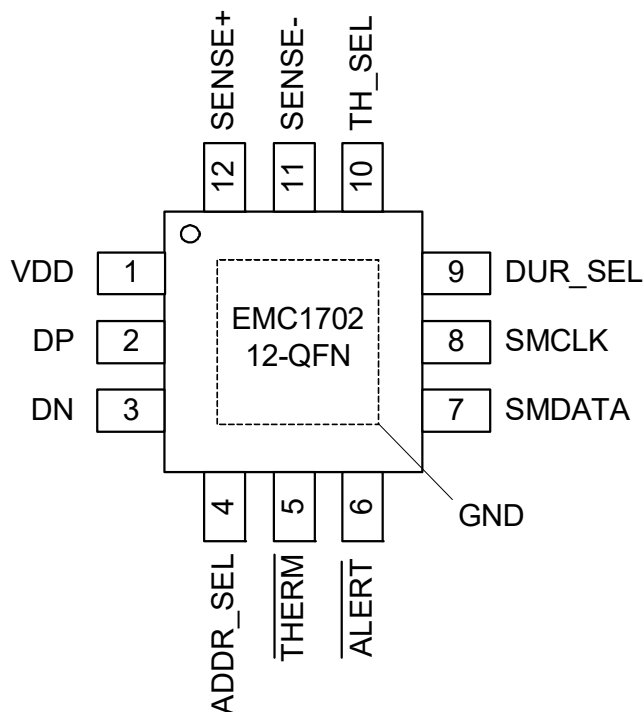


Figure 1.1 EMC1702 Pin Diagram 12-Pin QFN 4mm x 4mm

Table 1.1 Pin Description for EMC1702

| PIN NUMBER | PIN NAME | PIN FUNCTION | PIN TYPE |
|------------|---------------------------|--|-------------|
| 1 | VDD | Positive power supply voltage | Power (24V) |
| 2 | DP | External Diode positive (anode) connection | AIO (2V) |
| 3 | DN | External Diode negative (cathode) connection | AIO (2V) |
| 4 | ADDR_SEL | Selects SMBus Address | AI |
| 5 | $\overline{\text{THERM}}$ | Active low output - requires pull-up resistor | OD (5V) |
| 6 | $\overline{\text{ALERT}}$ | Active low output - requires pull-up resistor | OD (5V) |
| 7 | SMDATA | SMBus data input/output - requires external pull-up resistor | DIOD (5V) |
| 8 | SMCLK | SMBus clock input - requires external pull-up resistor | DI (5V) |
| 9 | DUR_SEL | Selects peak detector duration | AI |

Table 1.1 Pin Description for EMC1702 (continued)

| PIN NUMBER | PIN NAME | PIN FUNCTION | PIN TYPE |
|------------|----------|--|----------|
| 10 | TH_SEL | Selects peak detector threshold | AI |
| 11 | SENSE- | Negative current sense measurement point | AI (24V) |
| 12 | SENSE+ | Positive current sense measurement point | AI (24V) |
| Bottom Pad | GND | Ground | Power |

The pin types are described in [Table 1.2](#). All pins labeled with (5V) are 5V tolerant. All pins labeled with (24V) are 24V tolerant.

Table 1.2 Pin Types

| PIN TYPE | DESCRIPTION |
|----------|--|
| Power | This pin is used to supply power or ground to the device. |
| AI | Analog Input - this pin is used as an input for analog signals. |
| AIO | Analog Input / Output - this pin is used as an I/O for analog signals. |
| OD | Open Drain Digital Output - this pin is used as a digital output. It is open drain and requires a pull-up resistor. This pin is 5V tolerant. |
| DI | Digital Input - this pin is used for digital inputs. This pin is 5V tolerant. |
| DIOD | Open Drain Digital Input / Output - this pin is bi-directional. It is open drain and requires a pull-up resistor. This pin is 5V tolerant. |

EMC1702

Chapter 2 Electrical Characteristics

Table 2.1 Absolute Maximum Ratings

| | | |
|--|----------------------------------|------|
| Voltage on 5V tolerant pins | -0.3 to 5.5 | V |
| Voltage on 2V tolerant pins | -0.3 to 2 | V |
| Voltage on VDD, SENSE- and SENSE+ pins | -0.3 to 26 | V |
| Voltage on any other pin to GND | -0.3 to 4 | V |
| Voltage between Sense pins ((SENSE+ - SENSE-)) | < 6 | V |
| Package Power Dissipation | 0.5W up to T _A = 85°C | W |
| Junction to Ambient (θ_{JA}) (QFN12 package) | 58 | °C/W |
| Operating Ambient Temperature Range | -40 to 85 | °C |
| Storage Temperature Range | -55 to 150 | °C |
| ESD Rating - SMCLK, SMDATA, $\overline{\text{ALERT}}$, $\overline{\text{THERM}}$ pins - HBM | 4000 | V |
| ESD Rating - All other pins - HBM | 2000 | V |

Note 2.1 Stresses at or above those values listed could cause permanent damage to the device. This is a stress rating only, and functional operation of the device at any other condition above those indicated in the operation sections of this specification is not implied. Prolonged stresses above the stated operating levels and below the Absolute Maximum Ratings may degrade device performance and lead to permanent damage.

Note 2.2 All voltages are relative to ground.

Note 2.3 The Package Power Dissipation specification assumes a thermal via design with the thermal landing be soldered to the PCB ground plane with four 12 mil vias.

Note 2.4 Junction to Ambient (θ_{JA}) is dependent on the design of the thermal vias. Without thermal vias and a thermal landing, the θ_{JA} is approximately 60°C/W including localized PCB temperature increase.

2.1 Electrical Specifications

Table 2.2 Electrical Specifications

| $V_{DD} = V_{BUS} = 3V \text{ TO } 24V$, $V_{PULLUP} = 3V \text{ TO } 5.5V$, $T_A = -40^\circ\text{C TO } 85^\circ\text{C}$, ALL TYPICAL VALUES AT $V_{DD} = V_{PULLUP} = 3.3V$, $V_{BUS} = 12V$, AND $T_A = 27^\circ\text{C}$ UNLESS OTHERWISE NOTED. | | | | | | |
|--|------------------------|-----|-----|------|---------------|--|
| CHARACTERISTIC | SYMBOL | MIN | TYP | MAX | UNIT | CONDITIONS |
| DC POWER | | | | | | |
| Supply Voltage | V_{DD} | 3 | | 24 | V | |
| VDD Pin Supply Current | I_{DD} | | 610 | 750 | μA | Temp conversions at 0.0625 conversions / second, dynamic averaging disabled current sense active |
| | | | 650 | 950 | μA | Temp conversions at 4 conversions / second, dynamic averaging disabled current sense active |
| | | | 950 | 1100 | μA | Temp conversions at 8 conversions / second, dynamic averaging enabled current sense active |
| VDD Pin Supply Current | $I_{DD_T_STANDBY}$ | | | 750 | μA | Temp conversions disabled (TMEAS / STOP = '1') current sense active |
| VDD Pin Supply Current | $I_{DD_ALL_STANDBY}$ | | | 300 | μA | Temp conversions disabled (TMEAS / STOP = '1') Current sense disabled (IMEAS / STOP = '1') |
| SENSE+ Pin Bias Current | I_{SENSE+} | | 90 | | μA | $V_{SENSE} = 0V$, $V_{DD} = 3V \text{ to } 24V$, Current sense active |
| | | | 15 | | μA | $V_{SENSE} = 0V$, $V_{DD} = 3V \text{ to } 24V$, current sense disabled |
| | | | 10 | 20 | μA | $V_{DD} = 0V$ |
| SENSE- Pin Bias Current | I_{SENSE-} | | 10 | | μA | $V_{SENSE} = 0V$, $V_{DD} = 3V \text{ to } 24V$, Current sense active |
| | | | 10 | | μA | $V_{SENSE} = 0V$, $V_{DD} = 3V \text{ to } 24V$, current sense disabled |
| | | | 0 | | μA | $V_{DD} = 0V$ |
| Pull-up Voltage | V_{PULLUP} | 3 | | 5.5 | V | Pull-up voltage for SMBus, ALERT, and THERM pins |
| Leakage Current (\pm) | I_{LEAK} | | | 5 | μA | $\overline{\text{ALERT}}$ and $\overline{\text{THERM}}$ pins, SMDATA and SMCLK pins powered or unpowered, $T_A < 85^\circ\text{C}$ |

EMC1702

Table 2.2 Electrical Specifications (continued)

| $V_{DD} = V_{BUS} = 3V \text{ TO } 24V$, $V_{PULLUP} = 3V \text{ TO } 5.5V$, $T_A = -40^\circ\text{C TO } 85^\circ\text{C}$, ALL TYPICAL VALUES AT $V_{DD} = V_{PULLUP} = 3.3V$, $V_{BUS} = 12V$, AND $T_A = 27^\circ\text{C}$ UNLESS OTHERWISE NOTED. | | | | | | |
|--|-------------------|-----|------|---------|------|--|
| CHARACTERISTIC | SYMBOL | MIN | TYP | MAX | UNIT | CONDITIONS |
| CURRENT SENSE | | | | | | |
| Common Mode Voltage | V_{CM} | 3 | | 24 | V | Voltage on SENSE+ and/or SENSE- pins, referenced to Ground |
| Differential Mode Voltage | V_{DIFF} | -6 | | +6 | V | Voltage between SENSE+ and SENSE- pins |
| Full Scale Range (\pm) (see Section 5.20) | FSR | 0 | | 10 | mV | 1 LSB = 4.885uV |
| | | 0 | | 20 | mV | 1 LSB = 9.77uV |
| | | 0 | | 40 | mV | 1 LSB = 19.54uV |
| | | 0 | | 80 | mV | 1 LSB = 39.08uV |
| Total Measurement Error (\pm) | V_{SENSE_ERR} | | 0.5 | 1 | % | Total Error, FSR = 80mV |
| | | | | 3 | % | Total Error, FSR = 10mV to 40mV |
| Offset Error (\pm) | V_{SENSE_OFF} | | | 3 | LSB | Offset Error, FSR = 80mV |
| Power Supply Rejection | V_{SENSE_PSR} | | -120 | | dB | FSR = 10mV to 80mV, $3V < V_{DD} < 24V$ |
| Common Mode Rejection | V_{SENSE_CMR} | | -110 | | dB | FSR = 10mV to 80mV, $3V < V_{BUS} < 24V$ |
| SOURCE VOLTAGE | | | | | | |
| Full Scale Voltage | FSV | 3 | | 23.9883 | V | Voltage on SENSE+ pin |
| Total Measurement Error (\pm) (see Section 4.1.2) | V_{SOURCE_ERR} | | 0.2 | 0.5 | % | |
| POWER RATIO | | | | | | |
| Full Scale Range | | 0 | | 100 | % | 1 LSB = 1.53m% |
| Total Measurement Error (\pm) | P_{RATIO_ERR} | | | 1.6 | % | FSR = 80mV |
| | | | | 3 | % | FSR = 10mV to 40mV |
| CURRENT SENSE PEAK DETECTION | | | | | | |
| Peak Detector Threshold Range | V_{TH} | 10 | | 85 | mV | Programmable via TH_SEL pin |
| Peak Detector Duration Range | T_{DUR} | 1 | | 4096 | ms | Programmable via DUR_SEL pin |
| V_{SENSE} Peak Detection | t_{FILTER} | | 5 | | us | |

Table 2.2 Electrical Specifications (continued)

| $V_{DD} = V_{BUS} = 3V \text{ TO } 24V$, $V_{PULLUP} = 3V \text{ TO } 5.5V$, $T_A = -40^\circ\text{C TO } 85^\circ\text{C}$, ALL TYPICAL VALUES AT $V_{DD} = V_{PULLUP} = 3.3V$, $V_{BUS} = 12V$, AND $T_A = 27^\circ\text{C}$ UNLESS OTHERWISE NOTED. | | | | | | |
|--|---------------|-----|-------|------|------------------|--|
| CHARACTERISTIC | SYMBOL | MIN | TYP | MAX | UNIT | CONDITIONS |
| Threshold Accuracy (\pm) | V_{TH_ERR} | | 2 | 5 | % | $V_{TH} = 80\text{mV}$ |
| EXTERNAL TEMPERATURE MONITORS | | | | | | |
| Temperature Accuracy (\pm) | | | 0.25 | 1 | $^\circ\text{C}$ | $+20^\circ\text{C} < T_{DIODE} < +110^\circ\text{C}$ $0^\circ\text{C} < T_A < 85^\circ\text{C}$ |
| | | | 0.5 | 2 | $^\circ\text{C}$ | $-40^\circ\text{C} < T_{DIODE} < 127^\circ\text{C}$ |
| Temperature Resolution | | | 0.125 | | $^\circ\text{C}$ | |
| Diode Decoupling Capacitor | C_{FILTER} | | 2200 | 2700 | pF | Connected across external diode, CPU, GPU, or AMD diode |
| Series Resistance Canceled | R_{SERIES} | | | 100 | Ohm | Sum of series resistance in both DP and DN lines |
| INTERNAL TEMPERATURE MONITOR | | | | | | |
| Temperature Accuracy (\pm) | | | 0.25 | 1 | $^\circ\text{C}$ | $-5^\circ\text{C} < T_A < 85^\circ\text{C}$ |
| | | | | 2 | $^\circ\text{C}$ | $-40^\circ\text{C} < T_A < 85^\circ\text{C}$ |
| Temperature Resolution | | | 0.125 | | $^\circ\text{C}$ | |
| CONVERSION TIMES | | | | | | |
| First Conversion Ready | t_{CONV_T} | | 180 | 300 | ms | Time after power up before temperature and voltage measurements updated and P_{RATIO} updated |
| SMBus Delay | t_{SMB_D} | | | 25 | ms | Time before SMBus communications should be sent by host |
| DIGITAL I/O PINS (SMCLK, SMDATA, \overline{THERM}, \overline{ALERT}) | | | | | | |
| Input High Voltage | V_{IH} | 2.0 | | | V | SMCLK, SMDATA OD pins pulled up to V_{PULLUP} |
| Input Low Voltage | V_{IL} | | | 0.8 | V | |
| Output Low Voltage | V_{OL} | | | 0.4 | V | OD pin pulled to V_{PULLUP} 4 mA current sink |

APPLICATION NOTE: The EMC1702 is trimmed at the 80mV range for best accuracy.

EMC1702

2.2 SMBus Electrical Specifications

Table 2.3 SMBus Electrical Specifications

| V _{DD} = V _{BUS} = 3V to 24V, V _{PULLUP} = 3V to 5.5V, T _A = -40°C to 85°C Typical values are at T _A = 27°C unless otherwise noted. | | | | | | |
|--|---------------------|-----|-----|-----|-------|----------------------------------|
| CHARACTERISTIC | SYMBOL | MIN | TYP | MAX | UNITS | CONDITIONS |
| SMBUS INTERFACE | | | | | | |
| Input Capacitance | C _{IN} | | 4 | 10 | pF | |
| SMBUS TIMING | | | | | | |
| Clock Frequency | f _{SMB} | 10 | | 400 | kHz | |
| Spike Suppression | t _{SP} | | | 50 | ns | |
| Bus Free Time Start to Stop | t _{BUF} | 1.3 | | | us | |
| Setup Time: Start | t _{SU:STA} | 0.6 | | | us | |
| Setup Time: Stop | t _{SU:STO} | 0.6 | | | us | |
| Data Hold Time | t _{HD:DAT} | 0 | | | us | |
| Data Setup Time | t _{SU:DAT} | 0.6 | | | us | |
| Clock Low Period | t _{LOW} | 1.3 | | | us | |
| Clock High Period | t _{HIGH} | 0.6 | | | us | |
| Clock/Data Fall time | t _{FALL} | | | 300 | ns | Min = 20+0.1C _{LOAD} ns |
| Clock/Data Rise time | t _{RISE} | | | 300 | ns | Min = 20+0.1C _{LOAD} ns |
| Capacitive Load | C _{LOAD} | | | 400 | pF | Total per bus line |

Chapter 3 Communications

3.1 System Management Bus Interface Protocol

The EMC1702 communicates with a host controller, such as an SIO, through the SMBus. The SMBus is a two-wire serial communication protocol between a computer host and its peripheral devices. A detailed timing diagram is shown in [Figure 3.1](#). Stretching of the SMCLK signal is supported; however, the EMC1702 will not stretch the clock signal.

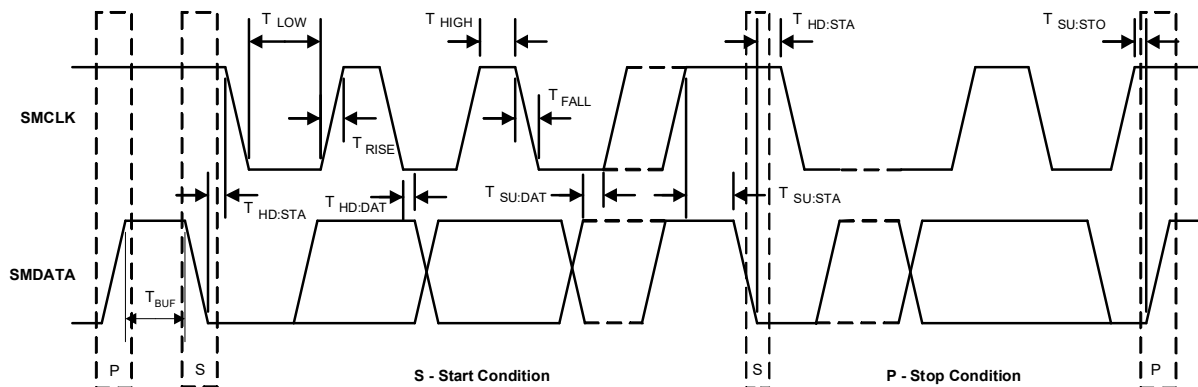


Figure 3.1 SMBus Timing Diagram

3.1.1 SMBus Start Bit

The SMBus Start bit is defined as a transition of the SMBus Data line from a logic '1' state to a logic '0' state while the SMBus Clock line is in a logic '1' state.

3.1.2 SMBus Address and RD / $\overline{\text{WR}}$ Bit

The SMBus Address Byte consists of the 7-bit client address followed by a 1-bit RD / $\overline{\text{WR}}$ indicator. If this RD / $\overline{\text{WR}}$ bit is a logic '0', the SMBus host is writing data to the client device. If this RD / $\overline{\text{WR}}$ bit is a logic '1', the SMBus host is reading data from the client device.

The EMC1702 SMBus address is determined by a single resistor connected between ground and the ADDR_SEL pin as shown in [Table 3.1](#).

Table 3.1 ADDR_SEL Resistor Setting

| RESISTOR (5%) | SMBUS ADDRESS | RESISTOR (5%) | SMBUS ADDRESS |
|---------------|---------------|---------------|---------------|
| 0 | 1001_100(r/w) | 1600 | 0101_000(r/w) |
| 100 | 1001_101(r/w) | 2000 | 0101_001(r/w) |
| 180 | 1001_110(r/w) | 2700 | 0101_010(r/w) |
| 300 | 1001_111(r/w) | 3600 | 0101_011(r/w) |
| 430 | 1001_000(r/w) | 5600 | 0101_100(r/w) |

EMC1702

Table 3.1 ADDR_SEL Resistor Setting (continued)

| RESISTOR (5%) | SMBUS ADDRESS | RESISTOR (5%) | SMBUS ADDRESS |
|---------------|---------------|---------------|---------------|
| 560 | 1001_001(r/w) | 9100 | 0101_100(r/w) |
| 750 | 1001_010(r/w) | 20000 | 0101_101(r/w) |
| 1270 | 1001_011(r/w) | Open | 0011_000(r/w) |

All SMBus Data bytes are sent most significant bit first and composed of 8-bits of information.

3.1.3 SMBus ACK and NACK Bits

The SMBus client will acknowledge all data bytes that it receives (as well as the client address if it matches and the ARA address if the $\overline{\text{ALERT}}$ pin is asserted). This is done by the client device pulling the SMBus Data line low after the 8th bit of each byte that is transmitted.

The host will NACK (not acknowledge) the data received from the client by holding the SMBus data line high after the 8th data bit has been sent.

3.1.4 SMBus Stop Bit

The SMBus Stop bit is defined as a transition of the SMBus Data line from a logic '0' state to a logic '1' state while the SMBus clock line is in a logic '1' state. When the EMC1702 detects an SMBus Stop bit, and it has been communicating with the SMBus protocol, it will reset its client interface and prepare to receive further communications.

3.1.5 SMBus Time-out

The EMC1702 includes an SMBus time-out feature. Following a 30ms period of inactivity on the SMBus, the device will time-out and reset the SMBus interface.

The time-out functionality defaults to disabled and can be enabled by writing to the TIMEOUT bit (see [Section 5.12](#)).

3.1.6 SMBus and I²C Compliance

The major differences between SMBus and I²C devices are highlighted here. For complete compliance information, refer to the SMBus 2.0 specification.

1. Minimum frequency for SMBus communications is 10kHz.
2. The client protocol will reset if the clock is held at a logic '0' for longer than 30ms. This time-out functionality is disabled by default.
3. The client protocol will reset if both the clock and data lines are held at a logic '1' for longer than 150us. This function is disabled by default.
4. I²C devices do not support the Alert Response Address functionality (which is optional for SMBus).

3.2 SMBus Protocols

The EMC1702 is SMBus 2.0 compatible and supports Send Byte, Read Byte, Receive Byte, Write Byte, Block Read, and Block Write as valid protocols. It will respond to the Alert Response Address protocol but is not in full compliance.

All of the protocols listed below use the convention in [Table 3.2](#).

Table 3.2 Protocol Format

| DATA SENT TO DEVICE | DATA SENT TO THE HOST |
|---------------------|-----------------------|
| # of bits sent | # of bits sent |

3.2.1 Write Byte

The Write Byte is used to write one byte of data to the registers, as shown in [Table 3.3](#):

Table 3.3 Write Byte Protocol

| START | SLAVE ADDRESS | WR | ACK | REGISTER ADDRESS | ACK | REGISTER DATA | ACK | STOP |
|--------|---------------|----|-----|------------------|-----|---------------|-----|--------|
| 1 -> 0 | YYYY_YYY | 0 | 0 | XXh | 0 | XXh | 0 | 0 -> 1 |

3.2.2 Read Byte

The Read Byte protocol is used to read one byte of data from the registers, as shown in [Table 3.4](#).

Table 3.4 Read Byte Protocol

| START | SLAVE ADDRESS | WR | ACK | Register Address | ACK | START | Slave Address | RD | ACK | Register Data | NACK | STOP |
|-------|---------------|----|-----|------------------|-----|-------|---------------|----|-----|---------------|------|------|
| 1->0 | YYYY_YYY | 0 | 0 | XXh | 0 | 0->1 | YYYY_YYY | 1 | 0 | XXh | 1 | 0->1 |

3.2.3 Send Byte

The Send Byte protocol is used to set the internal address register pointer to the correct address location. No data is transferred during the Send Byte protocol, as shown in [Table 3.5](#).

Table 3.5 Send Byte Protocol

| START | SLAVE ADDRESS | WR | ACK | REGISTER ADDRESS | ACK | STOP |
|--------|---------------|----|-----|------------------|-----|--------|
| 1 -> 0 | YYYY_YYY | 0 | 0 | XXh | 0 | 0 -> 1 |

EMC1702

3.2.4 Receive Byte

The Receive Byte protocol is used to read data from a register when the internal register address pointer is known to be at the right location (e.g. set via Send Byte). This is used for consecutive reads of the same register, as shown in [Table 3.6](#).

Table 3.6 Receive Byte Protocol

| START | SLAVE ADDRESS | RD | ACK | REGISTER DATA | NACK | STOP |
|--------|---------------|----|-----|---------------|------|--------|
| 1 -> 0 | YYYY_YYY | 1 | 0 | XXh | 1 | 0 -> 1 |

3.2.5 Block Write

The Block Write is used to write multiple data bytes to a group of contiguous registers, as shown in [Table 3.7](#). It is an extension of the Write Byte Protocol.

Table 3.7 Block Write Protocol

| START | SLAVE ADDRESS | WR | ACK | REGISTER ADDRESS | ACK | REGISTER DATA | ACK |
|---------------|---------------|---------------|-----|------------------|---------------|---------------|--------|
| 1 ->0 | YYYY_YYY | 0 | 0 | XXh | 0 | XXh | 0 |
| REGISTER DATA | ACK | REGISTER DATA | ACK | ... | REGISTER DATA | ACK | STOP |
| XXh | 0 | XXh | 0 | ... | XXh | 0 | 0 -> 1 |

3.2.6 Block Read

The Block Read is used to read multiple data bytes from a group of contiguous registers, as shown in [Table 3.8](#). It is an extension of the Read Byte Protocol.

Table 3.8 Block Read Protocol

| START | SLAVE ADDRESS | WR | ACK | REGISTER ADDRESS | ACK | START | SLAVE ADDRESS | RD | ACK | REGISTER DATA |
|-------|---------------|-----|---------------|------------------|---------------|-------|---------------|---------------|------|---------------|
| 1->0 | YYYY_YYY | 0 | 0 | XXh | 0 | 1 ->0 | YYYY_YYY | 1 | 0 | XXh |
| ACK | REGISTER DATA | ACK | REGISTER DATA | ACK | REGISTER DATA | ACK | ... | REGISTER DATA | NACK | STOP |
| 0 | XXh | 0 | XXh | 0 | XXh | 0 | ... | XXh | 1 | 0 -> 1 |

3.2.7 Alert Response Address

The $\overline{\text{ALERT}}$ output can be used as a processor interrupt or as an SMBus Alert when configured to operate as an interrupt.

When it detects that the $\overline{\text{ALERT}}$ pin is asserted, the host will send the Alert Response Address (ARA) to the general address of 0001_100xb. All devices with active interrupts will respond with their client address, as shown in [Table 3.9](#).

Table 3.9 Alert Response Address Protocol

| START | ALERT RESPONSE ADDRESS | RD | ACK | DEVICE ADDRESS | NACK | STOP |
|--------|------------------------|----|-----|----------------|------|--------|
| 1 -> 0 | 0001_100 | 1 | 0 | YYYY_YYY | 1 | 0 -> 1 |

The EMC1702 will respond to the ARA in the following way if the $\overline{\text{ALERT}}$ pin is asserted.

1. Send Slave Address and verify that full slave address was sent (i.e. the SMBus communication from the device was not prematurely stopped due to a bus contention event).
2. Set the MASK bit to clear the $\overline{\text{ALERT}}$ pin.

EMC1702

Chapter 4 General Description

The EMC1702 is a combination high-side current sensing device with precision voltage and temperature measurement capabilities. It measures the voltage developed across an external sense resistor to represent the high-side current of a battery or voltage regulator. The EMC1702 also measures the source voltage and uses these measured values to present a proportional power calculation. The EMC1702 contains additional bi-directional peak detection circuitry to flag instantaneous current spikes with programmable time duration and magnitude threshold. Finally, the EMC1702 includes an external diode channel for temperature measurement as well as an internal diode for ambient temperature measurements.

The EMC1702 current-sense measurement converts differential input voltage measured across an external sense resistor to a proportional output voltage. This voltage is digitized using a variable resolution (13-bit to 15-bit) Sigma-Delta ADC and transmitted via the SMBus or I²C protocol. The current range allows for large variations in measured current with high accuracy and low voltage drop across the resistor.

The supply voltage is also measured and stored. When combined with the sense resistor voltage measurement the power provided from the source can be determined. Programmable limits on both voltage and current levels are used to generate an interrupt.

The EMC1702 has two levels of monitoring. The first provides a maskable $\overline{\text{ALERT}}$ signal to the host when the measured temperatures or voltages meet or exceed user programmable limits. This allows the EMC1702 to be used as an independent thermal watchdog to warn the host of temperature hot spots without direct control by the host. The second level of monitoring provides a non maskable interrupt on the $\overline{\text{THERM}}$ pin if the measured values meet or exceed a second programmable limit.

The temperature measurement includes advanced features such as Resistance Error Correction (REC), Beta Compensation (to support CPU diodes requiring the BJT/transistor model including 45nm and 65nm processors) and automatic diode type detection. These features combine to provide a robust solution for complex environmental monitoring applications.

A system diagram is shown in [Figure 4.1](#).

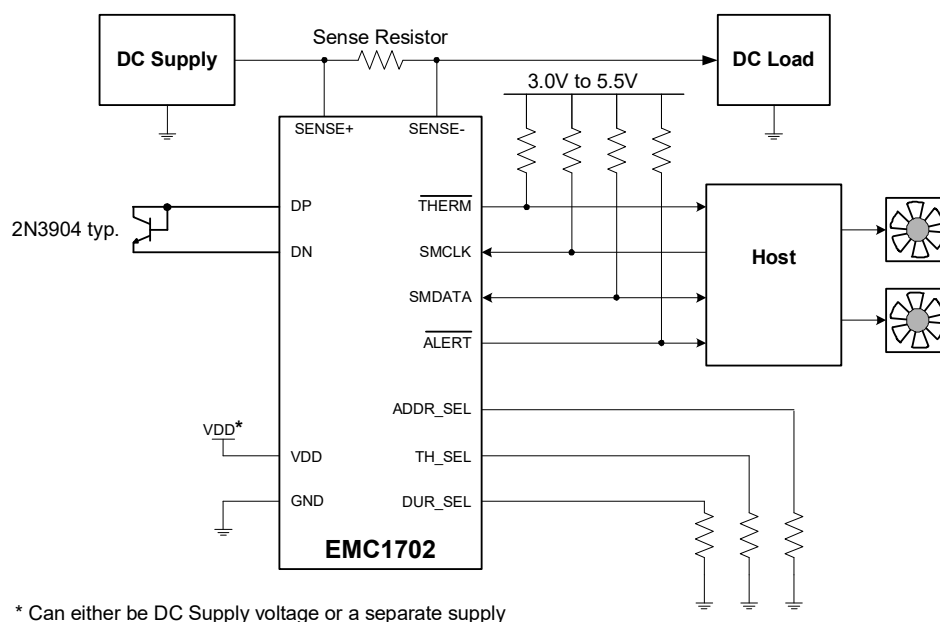


Figure 4.1 EMC1702 System Diagram

4.1 Source Monitoring

The EMC1702 includes circuitry for both source current sensing and source voltage measurement. From these measurements, a ratiometric value corresponding to the power delivered at the SENSE+ pin is provided.

4.1.1 Current Measurement

The EMC1702 includes a high-side current sensing circuit. This circuit measures the voltage, V_{SENSE} , induced across a fixed external current sense resistor, R_{SENSE} , and stores a representative voltage as a signed 11-bit number in the Sense Voltage Registers (see [Section 5.22](#)).

This circuitry is able to measure the direction of current flow (from SENSE+ to SENSE- or from SENSE- to SENSE+). Current flowing from SENSE+ to SENSE- is defined as positive current. Current flowing from EMC1702 SENSE- to SENSE+ is defined as negative.

The EMC1702 contains user programmable bipolar Full Scale Sense Ranges (FSSR) of $\pm 10\text{mV}$, $\pm 20\text{mV}$, $\pm 40\text{mV}$, or $\pm 80\text{mV}$ (see [Section 5.20](#)). The default for this setting is $\pm 80\text{mV}$.

Each V_{SENSE} measurement is averaged over a user programmable time (see [Section 5.20](#)). It is compared against programmable high and low limits (see [Section 5.25](#)). If V_{SENSE} exceeds (or drops below) the respective limits, the ALERT pin may be asserted (the default operation is to enable current sense interrupts on the ALERT pin).

The EMC1702 also contains user programmable current peak detection circuitry (see [Section 4.1.4](#)) that will assert the THERM pin if a current spike is detected larger than the programmed threshold and of longer duration than the programmed time. This circuitry is independent of V_{SENSE} .

Full Scale Current (FSC) can be calculated from:

| | | |
|-------------------------------|---|-----|
| $FSC = \frac{FSR}{R_{SENSE}}$ | where: | [1] |
| | FSC is the Full-Scale Current | |
| | FSR, the Full Scale Range, is either 10mV, 20mV, 40mV or 80mV (see Section 5.20) | |
| | R_{SENSE} is the external sense resistor value | |

Actual source current through R_{SENSE} can then be calculated using:

| | | |
|---|---|-----|
| $I_{SOURCE} = FSC \times \frac{V_{SENSE}}{2,047}$ | where: | [2] |
| | I_{SOURCE} is the actual source current | |
| | FSC is the Full-Scale Current value (from Equation [1]) | |
| | V_{SENSE} is the value read from the Sense Voltage Registers, ignoring the four lowest bits which are always zero (see Section 5.22) | |

For example: Suppose the system is drawing 1.65A through a 10m Ω resistor and the FSR is set for 20mV. Therefore, by [Equation \[1\]](#), the FSC is 2A.

For a positive voltage the Sense Voltage Registers are read, ignoring the lower four bits since they are always zero, as 69_8h (0110_1001_1000b or 1688d) which is 82.5% of the full scale source current. This results in a calculated source current of 1.649A using [Equation \[2\]](#).

EMC1702

For a negative voltage the Sense Voltage Registers are read as 96_8h, also ignoring the lower four bits since they are always zero. To calculate source current the binary value is first converted from two's complement by inverting the bits and adding one:

96_8h = 1001_0110_1000b. Inverting equals 0110_1001_0111b (69_7h) and adding one gives 0110_1001_1000b (69_8h).

This results in the same calculated value as in the positive voltage case.

4.1.2 Voltage Measurement

Source voltage is measured on the supply side of the R_{SENSE} resistor (SENSE+) and stored as an unsigned 11-bit number in the Source Voltage Registers as V_{SOURCE} (see [Section 5.23](#)).

Each V_{SOURCE} measurement is averaged over a user programmable time (see [Section 5.6](#) and [Section 5.19](#)). The measurement is delayed by the programmed conversion rate. V_{SOURCE} is compared against programmable high, low, and critical limits (see [Section 5.15](#), [Section 5.16](#), and [Section 5.17](#)). If the value meets or exceeds the high limits or drops below the low limits, the ALERT pin may be asserted (default is to enable this function). If the value meets or exceeds the critical limit, the THERM pin will be asserted (see [Section 5.27](#)).

Full Scale Voltage (FSV) is given by the maximum value of the Source Voltage Registers:

| | | |
|------------------|--|------------|
| $FSV = 23.9883V$ | where: | [3] |
| | FSV is the Full-Scale Voltage (a constant) | |

Actual source voltage at the SENSE+ pin can be calculated using:

| | | |
|---|--|------------|
| $Source\ Voltage = FSV \times \frac{V_{SOURCE}}{4,094}$ | where: | [4] |
| | Source Voltage is the voltage at the SENSE+ pin | |
| | FSV is the Full-Scale Voltage (from Equation [3]) | |
| | V_{SOURCE} is the digital value read from the Source Voltage Registers. Note that the lowest five bits are always zero (see Section 5.23) | |

For example: Suppose that the actual source voltage is 10.65V. The Source Voltage Registers are read as $V_{SOURCE} = 71_Ah$ (0111_0001_1010b or 1818d) which is 44.4% of the full scale source voltage. This results in a calculated source voltage of 10.65V using [Equation \[4\]](#).

Note that the actual source voltage may also be determined by scaling each bit set by the indicated bit weighting as described in [Section 5.23](#).

4.1.3 Power Calculation

The EMC1702 may be used to determine the average power provided at the source side of R_{SENSE} (SENSE+) using the value, P_{RATIO} , contained in the Power Ratio Registers (see [Section 5.24](#)). The value represents the % of maximum calculable power.

P_{RATIO} is mathematically generated by multiplying the absolute values of V_{SENSE} and V_{SOURCE} (see [Section 4.1.1](#) and [Section 4.1.2](#)) and stored as a shifted 16-bit unsigned number. P_{RATIO} is updated whenever either V_{SENSE} or V_{SOURCE} is updated.

Full Scale Power can be calculated from:

| | | |
|------------------------|---|-----|
| $FSP = FSC \times FSV$ | where: | [5] |
| | FSP is the Full-Scale Power | |
| | FSC is the Full-Scale Current (from Equation [1]) | |
| | FSV is the Full-Scale Voltage (from Equation [3]) | |

Actual power drawn from the source can be calculated using:

| | | |
|--|--|-----|
| $P_{SOURCE} = FSP \times \frac{P_{RATIO}}{65,535}$ | where: | [6] |
| | P _{SOURCE} is the actual power provided by the source measured at SENSE+ | |
| | FSP is the Full-Scale Power (from Equation [5]) | |
| | P _{RATIO} is the value read from the Power Ratio Registers (see Section 5.24) | |

For example: Suppose that the actual source voltage is 10.65V and the source current through a 10mΩ resistor is 1.65A. The FSC value is 2A per Equation [1]; thus, the expected power is 17.573W which is 36.6% of the FSP value.

Reading the Power Ratio Registers will report P_{RATIO} as 24,003d (0101_1101_1100_0011b or 5D_C3h), which is 36.6% of the full scale source power. This results in a calculated source power of 17.6W.

4.1.4 Current Peak Detection

The EMC1702 includes a hardware set instantaneous current peak detector. The peak detector threshold and duration values may also be set via the SMBus.

The peak detector supports detection of current spikes that occur faster than the minimum current sensing conversion time. This allows quick reaction to events requiring system-level response. The circuitry compares the measured current against a user-defined threshold value and user-defined time duration. If the measured current exceeds the threshold, an internal timer is started. If the timer reaches the programmed duration, the THERM pin is asserted (see Figure 4.2 for an example of peak current detection) and the PEAK status bit set.

The THERM pin will remain asserted until the Peak is no longer detected at which point it will be released. The PEAK status bit will likewise be cleared.

The Peak Detection circuitry may also assert the ALERT pin. In this case, the ALERT pin must be configured to operate in Comparator mode. If the ALERT pin is configured to operate in Interrupt mode, the Peak Detection circuitry will not cause the ALERT pin to be asserted.

The Peak Detection circuitry includes filtering (t_{FILTER}). When the instantaneous current exceeds the threshold, it must drop below the threshold for a period of time greater than t_{FILTER} before the timer is reset. The Peak Detection circuitry works for current flowing in either direction through the sense resistor (R_{SENSE}).

APPLICATION NOTE: The Peak Detector circuitry works independently of the current measurement integration.

EMC1702

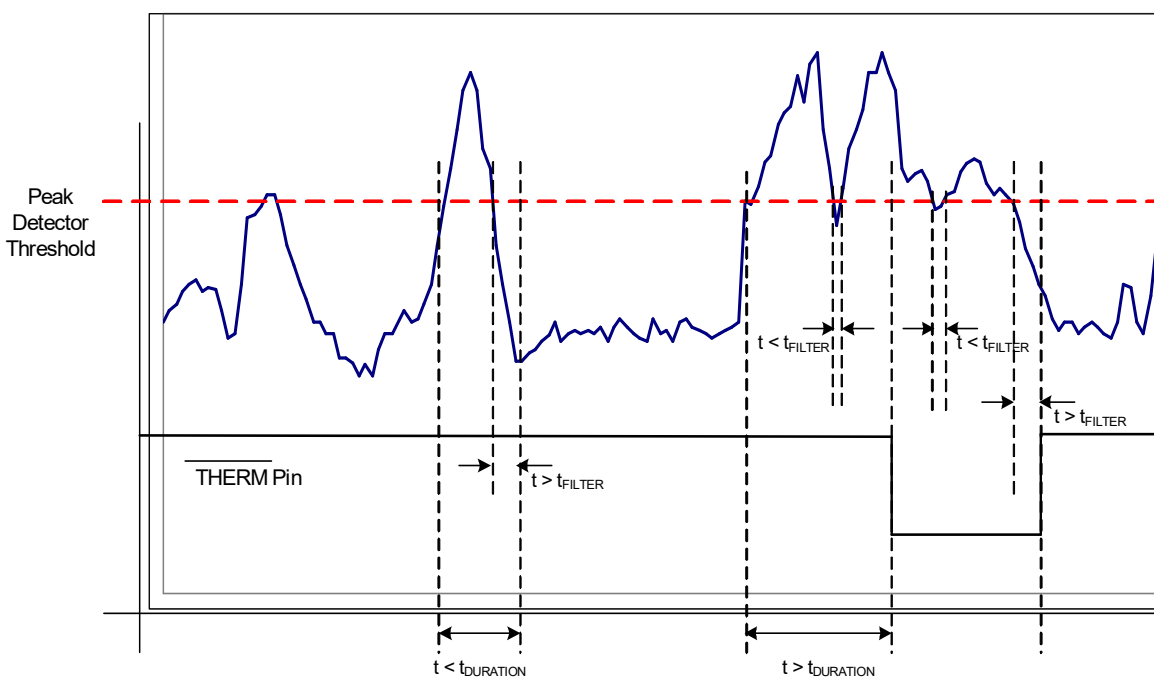


Figure 4.2 Peak Detection Example

The peak detector threshold is determined upon device power up by the value of the resistor connected between the TH_SEL pin and ground or via the SMBus. The resistor selects one of 16 different V_{SENSE} measurement limits (from 10mV to 85mV) as shown in [Table 4.1](#).

Table 4.1 TH_SEL Resistor Setting

| RESISTOR (5%) | PEAK DETECTION THRESHOLD | RESISTOR (5%) | PEAK DETECTION THRESHOLD |
|---------------|--------------------------|---------------|--------------------------|
| 0 | 10mV | 1600 | 50mV |
| 100 | 15mV | 2000 | 55mV |
| 180 | 20mV | 2700 | 60mV |
| 300 | 25mV | 3600 | 65mV |
| 430 | 30mV | 5600 | 70mV |
| 560 | 35mV | 9100 | 75mV |
| 750 | 40mV | 20000 | 80mV |
| 1270 | 45mV | Open | 85mV |

The peak detector duration is determined upon device power up by the value of the resistor between the DUR_SEL pin and ground or via the SMBus. The resistor selects one of 16 different time durations from 1 ms to 4.096s as shown in [Table 4.2](#).

Table 4.2 DUR_SEL Resistor Setting

| RESISTOR (5%) | PEAK DETECTION MINIMUM DURATION ($T_{DURATION}$) | RESISTOR (5%) | PEAK DETECTION MINIMUM DURATION ($T_{DURATION}$) |
|---------------|--|---------------|--|
| 0 | 1ms | 1600 | 384ms |
| 100 | 5ms | 2000 | 512ms |
| 180 | 26 ms | 2700 | 768ms |
| 300 | 51 ms | 3600 | 1024ms |
| 430 | 77 ms | 5600 | 1536ms |
| 560 | 102ms | 9100 | 2048ms |
| 750 | 128ms | 20000 | 3072ms |
| 1270 | 256ms | Open | 4096ms |

4.2 VDD Biasing Options

The wide device operating voltage range allows the EMC1702 to be powered from either the source voltage or an external supply. The EMC1702 contains circuitry to detect the voltage supply level on the VDD pin and enable an internal regulator as necessary.

4.3 Modes of Operation

The EMC1702 has multiple modes of operation as described here:

- Fully Active - In this mode of operation, the device is measuring all temperature channels, source voltage, and sense voltage. All data is updated at the end of the respective conversion and the limits are checked. Writing to the One-Shot register will have no effect.
- Current Sense only - In this mode of operation, the device is measuring source voltage and sense voltage only. The temperature data is not updated. V_{SOURCE} and V_{SENSE} data are updated at the end of the respective conversion and the limits are checked. Writing to the One-Shot register will update the temperature measurements. This one-shot measurement may cause the ALERT or THERM pins to be asserted if the measured temperature violates the respective limits.
- Temperature only - In this mode of operation, the device is measuring the temperature channels only. V_{SOURCE} and V_{SENSE} data are not updated. The temperature data is updated at the end of the conversion and the limits are checked. Writing to the One-Shot register will update V_{SOURCE} and V_{SENSE} . This one-shot measurement may cause the ALERT or THERM pins to be asserted if the measured voltage or current sense readings meet or exceed the respective limits.
- Standby (Stop) - In this mode of operation, the majority of circuitry is powered down to reduce supply current. The temperature, source voltage, and sense voltage measurements are not updated and the limits are not checked. In this mode of operation, the SMBus is fully active and the part will return requested data. Writing to the One-Shot register (see Section 5.8) will enable the device to update all measurement channels (temperature, V_{SOURCE} , and V_{SENSE}). This one-shot measurement may cause the ALERT or THERM pins to be asserted if any of the measured values violate their respective limits. Once all the channels are updated, the device will return to the Standby mode.

EMC1702

4.4 $\overline{\text{ALERT}}$ Output

The $\overline{\text{ALERT}}$ pin is an open drain output and requires a pull-up resistor to V_{PULLUP} and has two modes of operation: Interrupt mode and Comparator mode. The mode of the $\overline{\text{ALERT}}$ output is selected via the $\overline{\text{ALERT}}$ / COMP bit in the Configuration Register (see [Section 5.5](#)).

The $\overline{\text{ALERT}}$ pin modes apply to the High Limit only for all channels. The Low Limits and diode faults will always cause the $\overline{\text{ALERT}}$ pin to behave as if it were in Interrupt mode.

The $\overline{\text{ALERT}}$ pin is used as an interrupt signal or as an SMBus Alert signal that allows an SMBus slave to communicate an error condition to the master. One or more SMBus Alert outputs can be hard-wired together.

4.4.1 $\overline{\text{ALERT}}$ Pin Interrupt Mode

When configured to operate in Interrupt mode, the $\overline{\text{ALERT}}$ pin asserts low when an out-of-limit measurement (\geq high limit or $<$ low limit) is detected on any temperature measurement and the consecutive alert queue has been filled. The $\overline{\text{ALERT}}$ pin will also be asserted if a diode fault is detected.

Additionally, the $\overline{\text{ALERT}}$ pin may be asserted if the measured current or the source voltage are out of limit (\geq high limit or $<$ low limit).

The $\overline{\text{ALERT}}$ pin will remain asserted as long as an out-of-limit condition remains. Once the out-of-limit condition has been removed, the $\overline{\text{ALERT}}$ pin will remain asserted until the appropriate status bits are cleared. The pin can be masked by setting the MASK_ALL bit. Once the $\overline{\text{ALERT}}$ pin has been masked, it will be de-asserted and remain de-asserted until the MASK_ALL bit is cleared by the user. Any interrupt conditions that occur while the $\overline{\text{ALERT}}$ pin is masked will update the Status Register normally.

When the $\overline{\text{ALERT}}$ pin is configured to operate in Interrupt mode, the Peak Detector circuitry will not generate interrupts when a current peak is detected.

4.4.2 $\overline{\text{ALERT}}$ Pin Comparator Mode

When the $\overline{\text{ALERT}}$ pin is configured to operate in Comparator mode, it will be asserted if any of the measured temperatures meets or exceeds the respective high limit. The $\overline{\text{ALERT}}$ pin will remain asserted until all temperatures drop below the corresponding high limit minus the Tcrit Hysteresis value.

Additionally, the $\overline{\text{ALERT}}$ pin may be asserted if the measured current or the source voltage meet or exceed their respective high limit. The $\overline{\text{ALERT}}$ pin will remain asserted until the measured values drop below the corresponding high limit minus the Vcrit Hysteresis value (see [Section 5.27](#)).

When the $\overline{\text{ALERT}}$ pin is asserted in Comparator mode, the corresponding high limit status bits will be set. Reading these bits will not clear them until the $\overline{\text{ALERT}}$ pin is deasserted. Once the $\overline{\text{ALERT}}$ pin is deasserted, the status bits will be automatically cleared.

The MASK_ALL (see [Section 5.5](#)) bit will not block the $\overline{\text{ALERT}}$ pin in this mode; however, individual mask bits (see [Section 5.11](#)) will control the respective events that will assert the $\overline{\text{ALERT}}$ pin.

When the $\overline{\text{ALERT}}$ pin is configured to operate in Comparator mode and the Peak Detector circuitry is linked to the $\overline{\text{ALERT}}$ pin, an interrupt will be generated when a current peak is detected (see [Section 5.19](#)).

4.5 $\overline{\text{THERM}}$ Output

The $\overline{\text{THERM}}$ output is asserted independently of the $\overline{\text{ALERT}}$ output and cannot be masked. Whenever any of the measured temperatures meets or exceeds the user programmed Tcrit Limit values for the programmed number of consecutive measurements, the $\overline{\text{THERM}}$ output is asserted. Once it has been asserted, it will remain asserted until all measured temperatures drops below the Tcrit Limit minus the Tcrit Hysteresis (also programmable).

Additionally, the $\overline{\text{THERM}}$ pin will be asserted if the current sense Peak Detection circuitry has detected a current spike (see [Section 4.1.4](#)). The $\overline{\text{THERM}}$ pin will remain asserted so long as the Peak Detection circuitry continues to detect excessive instantaneous current (greater than the programmed threshold).

As well, the $\overline{\text{THERM}}$ pin will be asserted if the measured current or source voltage meet or exceed the user programmed V_{crit} Limit values. In this case, the $\overline{\text{THERM}}$ pin will remain asserted until all measured voltages drop below the V_{crit} Limit minus the V_{crit} Hysteresis (see [Section 5.27](#)).

4.6 Temperature Measurement

The EMC1702 can monitor the temperature of one externally connected diode. The external diode channel is configured with Resistance Error Correction and Beta Compensation based on user settings and system requirements.

The EMC1702 also measures the internal or ambient temperature.

The device contains programmable High, Low, and T_{crit} limits for all measured temperature channels. If the measured temperature drops below the Low limit or above the High limit, the $\overline{\text{ALERT}}$ pin can be asserted (based on user settings). If the measured temperature meets or exceeds the T_{crit} limit, the $\overline{\text{THERM}}$ pin is asserted unconditionally, providing two tiers of temperature detection.

4.6.1 Resistance Error Correction

The EMC1702 includes active Resistance Error Correction to remove the effect of up to 100 ohms of series resistance. Without this automatic feature, voltage developed across the parasitic resistance in the remote diode path causes the temperature to read higher than what the true temperature is. The error induced by parasitic resistance is approximately $+0.7^{\circ}\text{C}$ per ohm. Sources of series resistance include bulk resistance in the remote temperature transistor junctions, series resistance in the CPU resistance due to off-board connections, and resistance in the printed circuit board traces and package leads. Resistance Error Correction in the EMC1702 eliminates the need to characterize and compensate for parasitic resistance in the remote diode path.

The Resistance Error Correction can be disabled for each channel.

APPLICATION NOTE: When measuring AMD diodes, disable REC.

4.6.2 Beta Compensation

The forward current gain, or beta, of a transistor is not constant as emitter currents change. The variation in beta causes an error in temperature reading. Compensating for this error is also known as implementing the BJT or transistor model for temperature measurement.

For discrete transistors configured with the collector and base shorted together, the beta is generally sufficiently high such that the percent change in beta variation is very small. For example, a 10% variation in beta for two forced emitter currents with a transistor whose ideal beta is 50 would contribute approximately 0.25°C error at 100°C . However for substrate transistors where the base-emitter junction is used for temperature measurement and the collector is tied to the substrate, the proportional beta variation will cause large error. For example, a 10% variation in beta for two forced emitter currents with a transistor whose ideal beta is 0.5 would contribute approximately 8.25°C error at 100°C .

The Beta Compensation circuitry in the EMC1702 corrects for this beta variation to eliminate any error which would normally be induced. It automatically detects the appropriate beta setting to use and will properly recognize and measure a discrete diode.

4.6.3 Ideality Factor

The EMC1702 is designed for external diodes with an ideality factor of 1.008. Not all external diodes, processor or discrete, will have this exact value. This variation of the ideality factor introduces error in the temperature measurement which must be corrected for. This correction is typically done using programmable offset registers. Since an ideality factor mismatch introduces an error that is a function of temperature, this correction is only accurate within a small range of temperatures. To provide maximum flexibility to the user, the EMC1702 provides a register for each external diode where the ideality factor of the diode used may be programmed to eliminate errors across all temperatures.

EMC1702

APPLICATION NOTE: When monitoring a substrate transistor or CPU diode and beta compensation is enabled, the Ideality Factor should not be adjusted. Beta Compensation automatically corrects for most ideality errors.

4.6.4 Dynamic Averaging

The EMC1702 supports dynamic averaging. When enabled, this feature changes the conversion time for all channels based on the selected conversion rate. This essentially increases the averaging factor as shown in Table 4.3. The benefits of Dynamic Averaging are improved noise rejection due to the longer integration time as well as less random variation on the temperature measurement.

Table 4.3 Dynamic Averaging Behavior

| CONVERSION RATE | AVERAGING FACTOR (RELATIVE TO 11-BIT CONVERSION) | |
|-----------------------|--|----------------------------|
| | DYNAMIC AVERAGING ENABLED | DYNAMIC AVERAGING DISABLED |
| $\leq 1 / \text{sec}$ | 16x | 1x |
| 2 / sec | 8x | 1x |
| 4 / sec | 4x | 1x |
| 8 / sec | 1x | 1x |

4.7 Diode Connections

For the EMC1702, the external diode channel supports any of the diode connections shown in Figure 4.3.

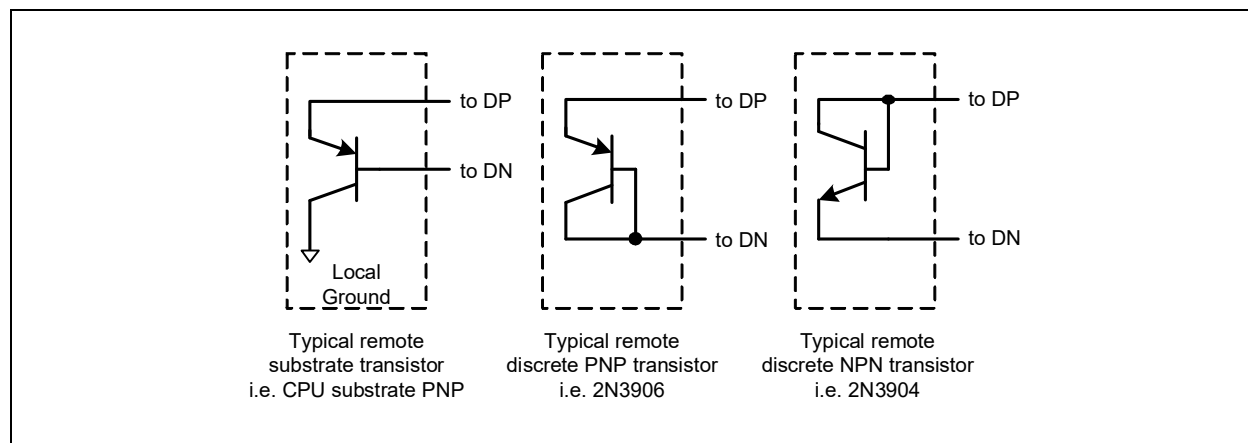


Figure 4.3 Diode Connections

4.7.1 Diode Faults

The EMC1702 actively detects an open and short condition on each measurement channel. When a diode fault is detected, the temperature data MSByte is forced to a value of 80h and the FAULT bit is set in the Status Register.

Chapter 5 Register Description

The registers shown in [Table 5.1](#) are accessible through the SMBus. An entry of '-' indicates that the bit is not used and will always read '0'.

Table 5.1 Register Set in Hexadecimal Order

| REGISTER ADDRESS | R/W | REGISTER NAME | FUNCTION | DEFAULT VALUE | PAGE |
|------------------|-----|---------------------------------------|--|-----------------|-------------------------|
| 00h | R | Internal Diode Data High Byte | Stores the integer data for the Internal Diode (mirrored at address 38h) | 00h | Page 33 |
| 01h | R | External Diode 1 Data High Byte | Stores the integer data for External Diode 1 (mirrored at address 3Ah) | 00h | Page 33 |
| 02h | R | Status | Stores the status bits for the Internal Diode and External Diode (mirrored at address 34h) | 00h | Page 34 |
| 03h | R/W | Configuration | Controls the general operation of the device (mirrored at address 09h) | 00h | Page 35 |
| 04h | R/W | Conversion Rate | Controls the conversion rate for updating measurement data (mirrored at address 0Ah) | 06h (4/sec) | Page 36 |
| 05h | R/W | Internal Diode High Limit | Stores the 8-bit high limit for the Internal Diode (mirrored at address 0Bh) | 55h (85°C) | Page 37 |
| 06h | R/W | Internal Diode Low Limit | Stores the 8-bit low limit for the Internal Diode (mirrored at address 0Ch) | 80h (-128°C) | Page 37 |
| 07h | R/W | External Diode 1 High Limit High Byte | Stores the integer portion of the high limit for External Diode 1 (mirrored at register 0Dh) | 55h (85°C) | Page 37 |
| 08h | R/W | External Diode 1 Low Limit High Byte | Stores the integer portion of the low limit for External Diode 1 (mirrored at register 0Eh) | 80h (-128°C) | Page 37 |
| 09h | R/W | Configuration | Controls the general operation of the device (mirrored at address 03h) | 00h | Page 35 |
| 0Ah | R/W | Conversion Rate | Controls the conversion rate for updating measurement data (mirrored at address 04h) | 06h (4/sec) | Page 36 |
| 0Bh | R/W | Internal Diode High Limit | Stores the 8-bit high limit for the Internal Diode (mirrored at address 05h) | 55h (85°C) | Page 37 |
| 0Ch | R/W | Internal Diode Low Limit | Stores the 8-bit low limit for the Internal Diode (mirrored at address 06h) | 80h (-128°C) | Page 37 |

EMC1702

Table 5.1 Register Set in Hexadecimal Order (continued)

| REGISTER ADDRESS | R/W | REGISTER NAME | FUNCTION | DEFAULT VALUE | PAGE |
|------------------|-----|---------------------------------------|---|---------------|-------------------------|
| 0Dh | R/W | External Diode 1 High Limit High Byte | Stores the integer portion of the high limit for External Diode 1 (mirrored at register 07h) | 55h (85°C) | Page 37 |
| 0Eh | R/W | External Diode 1 Low Limit High Byte | Stores the integer portion of the low limit for External Diode 1 (mirrored at register 08h) | 80h (-128°C) | Page 37 |
| 0Fh | W | One-Shot | A write to this register initiates a one-shot update. | 00h | Page 37 |
| 10h | R | External Diode 1 Data Low Byte | Stores the fractional data for External Diode 1 (mirrored at address 3Bh) | 00h | Page 33 |
| 13h | R/W | External Diode 1 High Limit Low Byte | Stores the fractional portion of the high limit for External Diode 1 | 00h | Page 37 |
| 14h | R/W | External Diode 1 Low Limit Low Byte | Stores the fractional portion of the low limit for External Diode 1 | 00h | Page 37 |
| 19h | R/W | External Diode 1 Tcrit Limit | Stores the 8-bit critical temperature limit for External Diode 1 | 64h (100°C) | Page 38 |
| 1Bh | R-C | External Diode Fault | Stores status bits indicating which external diode detected a diode fault | 00h | Page 38 |
| 1Fh | R/W | Channel Mask Register | Controls the masking of individual channels | 00h | Page 38 |
| 20h | R/W | Internal Diode Tcrit Limit | Stores the 8-bit critical temperature limit for the Internal Diode | 64h (100°C) | Page 38 |
| 21h | R/W | Tcrit Hysteresis | Stores the 8-bit hysteresis value that applies to all THERM limits | 0Ah (10°C) | Page 38 |
| 22h | R/W | Consecutive Alert | Controls the number of out-of-limit conditions that must occur before an interrupt is asserted | 70h | Page 39 |
| 25h | R/W | External Diode 1 Beta Configuration | Stores the Beta Compensation circuitry settings for External Diode 1 | 10h | Page 40 |
| 27h | R/W | External Diode 1 Ideality Factor | Stores the ideality factor for External Diode 1 | 12h (1.008) | Page 41 |
| 29h | R | Internal Diode Data Low Byte | Stores the fractional data for the Internal Diode (mirrored at register 39h) | 00h | Page 33 |
| 34h | R-C | Status | Stores the status bits for the measured temperature channels, Current Sense circuitry, and Peak Detector circuitry. | 00h | Page 34 |
| 35h | R-C | High Limit Status | Status bits for the High Limits | 00h | Page 42 |
| 36h | R-C | Low Limit Status | Status bits for the Low Limits | 00h | Page 43 |

Table 5.1 Register Set in Hexadecimal Order (continued)

| REGISTER ADDRESS | R/W | REGISTER NAME | FUNCTION | DEFAULT VALUE | PAGE |
|---|-----|--------------------------------------|--|---------------|-------------------------|
| 37h | R-C | Crit Limit Status | Status bits for the Tcrit and Vcrit Limits | 00h | Page 43 |
| 38h | R | Internal Diode High Byte | Stores the integer data for the Internal Diode | 00h | Page 33 |
| 39h | R | Internal Diode Low Byte | Stores the fractional data for the Internal Diode | 00h | Page 33 |
| 3Ah | R | External Diode 1 High Byte | Stores the integer data for External Diode 1 | 00h | Page 33 |
| 3Bh | R | External Diode 1 Low Byte | Stores the fractional data for External Diode 1 | 00h | Page 33 |
| 40h | R/W | Averaging Control | Controls the digital averaging setting for the all external diode channels | 00h | Page 44 |
| Current Sense Control and Measurement | | | | | |
| 50h | R/W | Voltage Sampling Configuration | Controls voltage sampling | 80h | Page 44 |
| 51h | R/W | Current Sense Sampling Configuration | Controls the current sensing sampling and update times | 03h | Page 45 |
| 52h | R/W | Peak Detection Config | Controls the peak detection configuration | 00h | Page 47 |
| 54h | R | Sense Voltage High Byte | Stores the voltage measured across R _{SENSE} | 00h | Page 49 |
| 55h | R | Sense Voltage Low Byte | | 00h | Page 49 |
| 58h | R | Source Voltage High Byte | Stores voltage measured on the source side of R _{SENSE} | 00h | Page 49 |
| 59h | R | Source Voltage Low Byte | | 00h | Page 49 |
| 5Bh | R | Power Ratio High Byte | Stores the power ratio value | 00h | Page 50 |
| 5Ch | R | Power Ratio Low Byte | | 00h | Page 50 |
| Current Sense and Source Voltage Limits | | | | | |
| 60h | R/W | Sense Voltage High Limit | Stores the high limit for V _{SENSE} | 7Fh | Page 50 |
| 61h | R/W | Sense Voltage Low Limit | Stores the low or negative limit for the V _{SENSE} voltage | 80h | Page 50 |
| 64h | R/W | Source Voltage High Limit | Stores the high limit for the voltage on the source side of R _{SENSE} | FFh | Page 51 |
| 65h | R/W | Source Voltage Low Limit | Stores the low limit for the voltage on the source side of R _{SENSE} | 00h | Page 51 |

EMC1702

Table 5.1 Register Set in Hexadecimal Order (continued)

| REGISTER ADDRESS | R/W | REGISTER NAME | FUNCTION | DEFAULT VALUE | PAGE |
|------------------|-----|---------------------------------|---|---------------|-------------------------|
| 66h | R/W | Sense Voltage Vcrit Limit | Stores the critical limit for V_{SENSE} | 7Fh | Page 51 |
| 68h | R/W | Source Voltage Vcrit Limit | Stores the critical limit for the voltage on the source side of R_{SENSE} | FFh | Page 51 |
| 69h | R/W | Sense Vcrit Hysteresis | Stores the hysteresis for the V_{SENSE} Vcrit limit | 0Ah | Page 51 |
| 6Ah | R/W | Source Voltage Vcrit Hysteresis | Stores the hysteresis for the source voltage Vcrit limits | 0Ah | Page 51 |
| FCh | R | Product Features | Stores information about which pin controlled product features are set | 00h | Page 51 |
| FDh | R | Product ID | Stores a fixed value that identifies each product | 39h | Page 52 |
| FEh | R | Microchip ID | Stores a fixed value that represents Microchip | 5Dh | Page 55 |
| FFh | R | Revision | Stores a fixed value that represents the revision number | 82h | Page 52 |

5.1 Data Read Interlock

When any measurement channel high byte register is read (temperature or V_{SOURCE} or V_{SENSE}), the corresponding low byte is copied into an internal 'shadow' register. The user is free to read the low byte at any time and be guaranteed that it will correspond to the previously read high byte. Regardless if the low byte is read or not, reading from the same high byte register again will automatically refresh this stored low byte data.

5.2 Block Mode Support

All of the status and temperature data may be retrieved with a block read of 8 bytes starting at register address 34h.

All of the voltage measurement, current sense data, and power information may be retrieved with a block read of 6 bytes starting at register address 54h.

5.3 Temperature Data Registers

Table 5.2 Temperature Data Registers

| ADDR | R/W | REGISTER | B7 | B6 | B5 | B4 | B3 | B2 | B1 | B0 | DEFAULT |
|------|-----|--------------------------|------|------|-------|----|----|----|----|----|---------|
| 00h | R | Internal Diode High Byte | Sign | 64 | 32 | 16 | 8 | 4 | 2 | 1 | 00h |
| 38h | | | | | | | | | | | |
| 29h | R | Internal Diode Low Byte | 0.5 | 0.25 | 0.125 | - | - | - | - | - | 00h |
| 39h | | | | | | | | | | | |

Table 5.2 Temperature Data Registers (continued)

| ADDR | R/W | REGISTER | B7 | B6 | B5 | B4 | B3 | B2 | B1 | B0 | DEFAULT |
|------|-----|-------------------------------|------|------|-------|----|----|----|----|----|---------|
| 01h | R | External Diode 1 High Byte | Sign | 64 | 32 | 16 | 8 | 4 | 2 | 1 | 00h |
| 3Ah | | | | | | | | | | | |
| 10h | R | External Diode 1 Low Byte | 0.5 | 0.25 | 0.125 | - | - | - | - | - | 00h |
| 3Bh | | | | | | | | | | | |

As shown in [Table 5.2](#), temperature data is stored as an 11-bit value with the high byte representing the integer value and the low byte representing the fractional value left justified to occupy the MSBits.

Table 5.3 Temperature Data Format

| TEMPERATURE (°C) | BINARY | HEX (AS READ BY REGISTERS) |
|------------------|----------------|----------------------------|
| Diode Fault | 1000_0000_000b | 80_00h |
| -63.875 | 1100_0000_001b | C0_20h |
| -63 | 1100_0001_000b | C1_00h |
| -1 | 1111_1111_000b | FF_00h |
| -0.125 | 1111_1111_111b | FF_E0h |
| 0 | 0000_0000_000b | 00_00h |
| 0.125 | 0000_0000_001b | 00_20h |
| 1 | 0000_0001_000b | 01_00h |
| 63 | 0011_1111_000b | 3F_00h |
| 64 | 0100_0000_000b | 40_00h |
| 65 | 0100_0001_000b | 41_00h |
| 127 | 0111_1111_000b | 7F_00h |
| 127.875 | 0111_1111_111b | 7F_E0h |

5.4 Status Register

Table 5.4 Status Register

| ADDR | R/W | REGISTER | B7 | B6 | B5 | B4 | B3 | B2 | B1 | B0 | DEFAULT |
|------|-----|----------|------|------|----|------|-----|-------|------|----|---------|
| 02h | R | Status | BUSY | PEAK | - | HIGH | LOW | FAULT | CRIT | - | 00h |
| 34h | | | | | | | | | | | |

The Status Register reports general error conditions. To identify specific channels, refer to [Section 5.10](#), [Section 5.15](#), [Section 5.16](#), and [Section 5.17](#). The individual Status Register bits are cleared when the appropriate High Limit, Low Limit, or Crit Limit status register has been read or cleared.

EMC1702

Bit 7 - **BUSY** - This bit indicates that one of the ADCs is currently converting. This bit does not cause either the $\overline{\text{ALERT}}$ or $\overline{\text{THERM}}$ pins to be asserted.

Bit 6 - **PEAK** - This bit is set when the Peak Detector circuitry has detected a current peak that is greater than the programmed threshold for longer than the programmed duration. This bit is not sticky and will be cleared when the condition has been removed. When set, the $\overline{\text{THERM}}$ pin or $\overline{\text{ALERT}}$ pin (Comparator mode only) may be asserted (see [Section 5.19](#)).

Bit 4 - **HIGH** - This bit is set when any of the temperature channels meets or exceeds its programmed high limit. This bit will also be set if the V_{SENSE} or V_{SOURCE} channels meet or exceed their respective high limits. See the High Limit Status Register for specific channel information ([Section 5.15](#)). When set, the $\overline{\text{ALERT}}$ pin is asserted.

Bit 3 - **LOW** - This bit is set when any of the temperature channels drops below its programmed low limit. This bit will also be set if the V_{SENSE} or V_{SOURCE} channels drop below their respective low limits. See the Low Limit Status Register for specific channel information ([Section 5.16](#)). When set, the $\overline{\text{ALERT}}$ pin is asserted.

Bit 2 - **FAULT** - This bit is set when a diode fault is detected on any of the external diode channels. See the External Diode Fault Register for specific channel information ([Section 5.10](#)). When set, the $\overline{\text{ALERT}}$ pin is asserted.

Bit 1 - **CRIT** - This bit is set when any of the temperature channels meets or exceeds its programmed T_{crit} limit. This bit will also be set if the V_{SENSE} or V_{SOURCE} channels meet or exceed their respective V_{crit} limits (see the [Section 5.17, "Crit Limit Status Register"](#) for specific channel information). When set, the $\overline{\text{THERM}}$ pin is asserted. This bit is not sticky and will be cleared when the error condition has been removed.

5.5 Configuration Register

Table 5.5 Configuration Register

| ADDR | R/W | REGISTER | B7 | B6 | B5 | B4 | B3 | B2 | B1 | B0 | DEFAULT |
|------|-----|---------------|-------|-------|--------|------|----|-------|-------|----|---------|
| 03h | R/W | Configuration | MASK_ | TMEAS | ALERT/ | DIS | - | IMEAS | DAVG_ | - | 00h |
| 09h | | | ALL | /STOP | COMP | REC1 | | /STOP | DIS | | |

The Configuration Register controls the basic operation of the device. This register is fully accessible at either address.

Bit 7 - **MASK_ALL** - Masks the $\overline{\text{ALERT}}$ pin from asserting.

- '0' (default) - The $\overline{\text{ALERT}}$ pin is not masked. If any of the appropriate status bits are set, the $\overline{\text{ALERT}}$ pin will be asserted.
- '1' - The $\overline{\text{ALERT}}$ pin is masked if configured in Interrupt mode (see [Section 4.4.1, " \$\overline{\text{ALERT}}\$ Pin Interrupt Mode"](#)). The Status Registers will be updated normally.

Bit 6 - **TMEAS / STOP** - Controls Temperature measurement modes.

- '0' (default) - The device is active, measuring all of the temperature channels.
- '1' - The device is not measuring temperature channels. It will update all of the temperature channels when a One-Shot command is given.

Bit 5 - **ALERT/COMP** - Controls the operation of the $\overline{\text{ALERT}}$ pin.

- '0' (default) - The $\overline{\text{ALERT}}$ pin acts in Interrupt mode as described in [Section 4.4.1](#).
- '1' - The $\overline{\text{ALERT}}$ pin acts in Comparator mode as described in [Section 4.4.2](#). In this mode the MASK_ALL bit is ignored.

Bit 4 - **DIS_REC1** - Disables the Resistance Error Correction (REC) for External Diode 1.

- '0' (default) - REC is enabled for External Diode 1.
- '1' - REC is disabled for External Diode 1.

Bit 2 - IMEAS / STOP - Controls V_{SENSE} and V_{SOURCE} measurement modes.

- '0' (default) - The device is measuring source voltage and sense voltage.
- '1' -The device is not measuring the source voltage and sense voltage. It will update V_{SENSE} and V_{SOURCE} registers when a One-Shot command is given.

Bit 1 - DAVG_DIS - Disables the dynamic averaging feature on all temperature channels.

- '0' (default) - The dynamic averaging feature is enabled. All temperature channels will be converted with an averaging factor that is based on the conversion rate as shown in [Table 4.3](#).
- '1' - The dynamic averaging feature is disabled. All temperature channels will be converted with a maximum averaging factor of 1x (equivalent to 11-bit conversion).

5.6 Conversion Rate Register

Table 5.6 Conversion Rate Register

| ADDR | R/W | REGISTER | B7 | B6 | B5 | B4 | B3 | B2 | B1 | B0 | DEFAULT |
|------|-----|-----------------|----|----|----|----|----|-------------|----|----|----------------|
| 04h | R/W | Conversion Rate | - | - | - | - | | T_CONV[2:0] | | | 06h (4/sec) |
| 0Ah | | | | | | | | | | | |

The Conversion Rate Register controls how often the V_{SOURCE} and temperature measurement channels are updated and compared against the limits. This register is fully accessible at either address.

Bits 2-0 - T_CONV[2:0] - Determines the conversion rate as shown in [Table 5.7](#). This conversion rate applies to temperature measurement and source voltage measurement.

Table 5.7 Conversion Rate

| T_CONV[2:0] | | | CONVERSION RATE |
|-------------|---|---|---------------------|
| 2 | 1 | 0 | |
| 0 | 0 | 0 | 1 per 16 sec |
| 0 | 0 | 1 | 1 per 8 sec |
| 0 | 1 | 0 | 1 per 4 sec |
| 0 | 1 | 1 | 1 per 2 sec |
| 1 | 0 | 0 | 1 per sec |
| 1 | 0 | 1 | 2 per sec |
| 1 | 1 | 0 | 4 per sec (default) |
| 1 | 1 | 1 | 8 per sec |

EMC1702

5.7 Temperature Limit Registers

Table 5.8 Temperature Limit Registers

| ADDR | R/W | REGISTER | B7 | B6 | B5 | B4 | B3 | B2 | B1 | B0 | DEFAULT |
|------|-----|---------------------------------------|------|------|-------|----|----|----|----|----|--------------|
| 05h | R/W | Internal Diode High Limit | Sign | 64 | 32 | 16 | 8 | 4 | 2 | 1 | 55h (85°C) |
| 0Bh | | | | | | | | | | | |
| 06h | R/W | Internal Diode Low Limit | Sign | 64 | 32 | 16 | 8 | 4 | 2 | 1 | 80h (-128°C) |
| 0Ch | | | | | | | | | | | |
| 07h | R/W | External Diode 1 High Limit High Byte | Sign | 64 | 32 | 16 | 8 | 4 | 2 | 1 | 55h (85°C) |
| 0Dh | | | | | | | | | | | |
| 13h | R/W | External Diode 1 High Limit Low Byte | 0.5 | 0.25 | 0.125 | - | - | - | - | - | 00h |
| 08h | R/W | External Diode 1 Low Limit High Byte | Sign | 64 | 32 | 16 | 8 | 4 | 2 | 1 | 80h (-128°C) |
| 0Eh | | | | | | | | | | | |
| 14h | R/W | External Diode 1 Low Limit Low Byte | 0.5 | 0.25 | 0.125 | - | - | - | - | - | 00h |

The device contains both high and low limits for the temperature channels. If the measured temperature meets or exceeds the high limit, the corresponding status bit is set, and the ALERT pin is asserted. Likewise, if the measured temperature is less than or equal to the low limit, the corresponding status bit is set and the ALERT pin is asserted.

The limit registers with multiple addresses are fully accessible at either address.

When the device is Standby or Current Sense only mode, updating the limit registers will have no effect until the next conversion cycle occurs. This conversion cycle can be initiated via a write to the One-Shot Register or by clearing the TMEAS_STOP bit in the Configuration Register (see Section 5.5).

5.8 One-Shot Register

Table 5.9 One-Shot Register

| ADDR. | R/W | REGISTER | B7 | B6 | B5 | B4 | B3 | B2 | B1 | B0 | DEFAULT |
|-------|-----|----------|---|----|----|----|----|----|----|----|---------|
| 0Fh | W | One-Shot | Writing to this register initiates a single conversion cycle. Data is not stored and always reads 00h | | | | | | | | 00h |

Writing to the One-Shot register will automatically update those channels that are not currently measured. If the device is Fully Active, writing to this register will have no effect. If the IMEAS_STOP bit is set, writing to this register will update the V_{SENSE} and V_{SOURCE} voltage measurements. If the TMEAS_STOP bit is set, writing to this register will update all of the temperature channel measurements.

5.9 Tcrit Limit Registers

Table 5.10 Tcrit Limit Registers

| ADDR. | R/W | REGISTER | B7 | B6 | B5 | B4 | B3 | B2 | B1 | B0 | DEFAULT |
|-------|-----|------------------------------|------|----|----|----|----|----|----|----|-------------|
| 19h | R/W | External Diode 1 Tcrit Limit | Sign | 64 | 32 | 16 | 8 | 4 | 2 | 1 | 64h (100°C) |
| 20h | R/W | Internal Diode Tcrit Limit | Sign | 64 | 32 | 16 | 8 | 4 | 2 | 1 | 64h (100°C) |
| 21h | R/W | Tcrit Hysteresis | - | 64 | 32 | 16 | 8 | 4 | 2 | 1 | 0Ah (10°C) |

The Tcrit Limit Registers are used to determine whether a critical thermal event has occurred. If the measured temperature meets or exceeds the Tcrit Limit, the $\overline{\text{THERM}}$ pin is asserted.

Unlike the $\overline{\text{ALERT}}$ pin, the $\overline{\text{THERM}}$ pin cannot be masked. Additionally, the $\overline{\text{THERM}}$ pin will be released once the temperature drops below the corresponding threshold minus the Tcrit Hysteresis.

5.10 External Diode Fault Register

Table 5.11 External Diode Fault Register

| ADDR. | R/W | REGISTER | B7 | B6 | B5 | B4 | B3 | B2 | B1 | B0 | DEFAULT |
|-------|-----|----------------------|----|----|----|----|----|----|-------|----|---------|
| 1Bh | R-C | External Diode Fault | - | - | - | - | - | - | E1FLT | - | 00h |

The External Diode Fault Register indicates that External Diode 1 caused the FAULT bit in the Status Register to be set. This register is cleared when it is read.

Bit 1 - E1FLT - This bit is set if the External Diode 1 channel reported a diode fault.

5.11 Channel Mask Register

Table 5.12 Channel Mask Register

| ADDR | R/W | REGISTER | B7 | B6 | B5 | B4 | B3 | B2 | B1 | B0 | DEFAULT |
|------|-----|--------------|-------------|-----------|-----------|----|----|----|---------|----------|---------|
| 1Fh | R/W | Channel Mask | VSENSE_MASK | VSRC_MASK | PEAK_MASK | - | - | - | E1 MASK | INT MASK | 00h |

The Channel Mask Register controls individual channel masking. When a channel is masked, the $\overline{\text{ALERT}}$ pin will not be asserted when the masked channel reads a diode fault or out-of-limit error. The channel mask does not mask the $\overline{\text{THERM}}$ pin.

Bit 7 - VSENSE_MASK - Masks the $\overline{\text{ALERT}}$ pin from asserting when the V_{SENSE} value meets or exceeds the high limit or drops below the low limit. This bit will have no effect on the $\overline{\text{THERM}}$ pin functionality.

- '0' (default) - The V_{SENSE} voltage channel will cause the $\overline{\text{ALERT}}$ pin to be asserted (if enabled).

EMC1702

- '1' - The V_{SENSE} voltage channel will not cause the \overline{ALERT} pin to be asserted (if enabled).

Bit 6 - VSRC_MASK - Masks the \overline{ALERT} pin from asserting when the V_{SOURCE} value meets or exceeds the high limit or drops below the low limit. This bit will have no effect on the THERM pin functionality.

- '0' (default) - The V_{SOURCE} voltage channel will cause the \overline{ALERT} pin to be asserted (if enabled).
- '1' - The V_{SOURCE} voltage channel will not cause the \overline{ALERT} pin to be asserted (if enabled).

Bit 5 - PEAK_MASK - Masks the \overline{ALERT} pin from asserting when the Peak Detector circuitry detects a current spike. This bit will have no effect on the THERM pin functionality.

- '0' (default) - The Peak Detector circuitry will cause the \overline{ALERT} pin to be asserted (if enabled).
- '1' - The Peak Detector circuitry will not cause the \overline{ALERT} pin to be asserted (if enabled).

Bit 1 - E1MASK - Masks the \overline{ALERT} pin from asserting when the External Diode 1 channel is out-of-limit or reports a diode fault.

- '0' (default) - The External Diode 1 channel will cause the \overline{ALERT} pin to be asserted if it is out-of-limit or reports a diode fault.
- '1' - The External Diode 1 channel will not cause the \overline{ALERT} pin to be asserted if it is out-of-limit or reports a diode fault.

Bit 0 - INTMASK - Masks the \overline{ALERT} pin from asserting when the Internal Diode temperature is out-of-limit.

- '0' (default) - The Internal Diode channel will cause the \overline{ALERT} pin to be asserted if it is out-of-limit.
- '1' - The Internal Diode channel will not cause the \overline{ALERT} pin to be asserted if it is out-of-limit.

5.12 Consecutive Alert Register

Table 5.13 Consecutive Alert Register

| ADDR | R/W | REGISTER | B7 | B6 | B5 | B4 | B3 | B2 | B1 | B0 | DEFAULT |
|------|-----|-------------------|----------|------------|----|----|------------|----|----|----|---------|
| 22h | R/W | Consecutive Alert | TIME OUT | CTHRM[2:0] | | | CALRT[2:0] | | | - | 70h |

The Consecutive Alert Register determines how many times an out-of-limit error or diode fault must be detected in consecutive measurements before the interrupt status registers are asserted. This applies to temperature limits only. The voltage measurement and current sense measurements are controlled via the Voltage Channel Configuration register and Current Sense Configuration register respectively (see [Section 5.19](#) and [Section 5.20](#)).

When the \overline{ALERT} pin is configured as a comparator, the consecutive alert counter will ignore diode fault and low limit errors and only increment if the measured temperature meets or exceeds the High Limit.

Each measurement channel has a separate fault queue associated with the high limit, low limit, and diode fault condition except the internal diode.

Bit 7 - TIMEOUT - Determines whether the SMBus Timeout function is enabled.

- '0' (default) - The SMBus Timeout feature is disabled. The SMCLK line can be held low indefinitely without the device resetting its SMBus protocol.
- '1' - The SMBus Timeout feature is enabled. If the SMCLK line is held low for more than 30ms, the device will reset the SMBus protocol.

Bits 6-4 - CTHRM[2:0] - Determines the number of consecutive measurements that must exceed the corresponding Tcrit Limit before the THERM pin is asserted.

Bits 3-1 - CALRT[2:0] - Determines the number of consecutive measurements that must have an out-of-limit condition or diode fault before the $\overline{\text{ALERT}}$ pin is asserted. All temperature channels use this value to set the respective counters. The bits are decoded as shown in Table 5.14. The default setting is 1 consecutive out-of-limit conversion.

Table 5.14 Consecutive ALERT / THERM Settings

| 2 | 1 | 0 | NUMBER OF CONSECUTIVE OUT-OF-LIMIT MEASUREMENTS |
|---|---|---|---|
| 0 | 0 | 0 | 1 (default for CALRT[2:0]) |
| 0 | 0 | 1 | 2 |
| 0 | 1 | 1 | 3 |
| 1 | 1 | 1 | 4 (default for CTHRM[2:0]) |

5.13 Beta Configuration Registers

Table 5.15 Beta Configuration Registers

| ADDR. | R/W | REGISTER | B7 | B6 | B5 | B4 | B3 | B2 | B1 | B0 | DEFAULT |
|-------|-----|-------------------------------------|----|----|----|-------|------------|----|----|----|---------|
| 25h | R/W | External Diode 1 Beta Configuration | - | - | - | AUTO1 | BETA1[3:0] | | | | 10h |

This register is used to set the Beta Compensation factor that is used for the external diode channels.

Bit 4 - AUTO - Enables the Beta Compensation factor autodetection function.

- '0' - The Beta Compensation Factor autodetection circuitry is disabled. The External Diode will always use the Beta Compensation factor set by the BETAx[3:0] bits.
- '1' (default) - The Beta Compensation factor autodetection circuitry is enabled. At the beginning of every conversion, the optimal Beta Compensation factor setting will be determined and applied. The BETAx[3:0] bits will be automatically updated to indicate the current setting.

Bit 3-0 - BETA[3:0] - These bits always reflect the current beta configuration settings. If autodetection circuitry is enabled, these bits will be updated automatically and writing to these bits will have no effect. If the autodetection circuitry is disabled, these bits will determine the beta configuration setting that is used for their respective channels.

Care should be taken when setting the BETA1[3:0] bits when the autodetection circuitry is disabled. If the Beta Compensation factor is set at a beta value that is higher than the transistor beta, the circuit may introduce measurement errors. When measuring a discrete thermal diode (such as 2N3904) or a CPU diode that functions like a discrete thermal diode (such as an AMD processor diode), the BETA1[3:0] bits should be set to '1111b'.

EMC1702

Table 5.16 Beta Compensation

| AUTO | BETA1[3:0] | | | | MINIMUM BETA |
|------|------------|---|---|---|------------------------|
| | 3 | 2 | 1 | 0 | |
| 0 | 0 | 0 | 0 | 0 | 0.050 |
| 0 | 0 | 0 | 0 | 1 | 0.066 |
| 0 | 0 | 0 | 1 | 0 | 0.087 |
| 0 | 0 | 0 | 1 | 1 | 0.114 |
| 0 | 0 | 1 | 0 | 0 | 0.150 |
| 0 | 0 | 1 | 0 | 1 | 0.197 |
| 0 | 0 | 1 | 1 | 0 | 0.260 |
| 0 | 0 | 1 | 1 | 1 | 0.342 |
| 0 | 1 | 0 | 0 | 0 | 0.449 |
| 0 | 1 | 0 | 0 | 1 | 0.591 |
| 0 | 1 | 0 | 1 | 0 | 0.778 |
| 0 | 1 | 0 | 1 | 1 | 1.024 |
| 0 | 1 | 1 | 0 | 0 | 1.348 |
| 0 | 1 | 1 | 0 | 1 | 1.773 |
| 0 | 1 | 1 | 1 | 0 | 2.333 |
| 0 | 1 | 1 | 1 | 1 | Disabled |
| 1 | X | X | X | X | Automatically detected |

5.14 External Diode Ideality Factor Registers

Table 5.17 Ideality Configuration Registers

| ADDR. | R/W | REGISTER | B7 | B6 | B5 | B4 | B3 | B2 | B1 | B0 | DEFAULT |
|-------|-----|----------------------------------|----|----|----|----|----|------------|----|----|---------|
| 27h | R/W | External Diode 1 Ideality Factor | - | - | 0 | 1 | 0 | IDCF1[2:0] | | | 12h |

These registers store the ideality factors that are applied to the external diodes. [Table 5.18](#) defines each setting and the corresponding ideality factor. Beta Compensation and Resistance Error Correction automatically correct for most diode ideality errors; therefore, it is not recommended that these settings be updated without consulting Microchip.

Table 5.18 Ideality Factor Look-Up Table (Diode Model)

| SETTING | FACTOR |
|---------|--------|
| 10h | 1.0053 |
| 11h | 1.0066 |
| 12h | 1.0080 |
| 13h | 1.0093 |
| 14h | 1.0106 |
| 15h | 1.0119 |
| 16h | 1.0133 |
| 17h | 1.0146 |

APPLICATION NOTE: When measuring a 65nm Intel CPUs, the Ideality Setting should be the default 12h. When measuring 45nm Intel CPUs, the Ideality Setting should be 15h.

5.15 High Limit Status Register

Table 5.19 High Limit Status Register

| ADDR | R/W | REGISTER | B7 | B6 | B5 | B4 | B3 | B2 | B1 | B0 | DEFAULT |
|------|-----|-------------------|-------------|-----------|----|----|----|----|---------|--------|---------|
| 35h | R-C | High Limit Status | VSENSE_HIGH | VSRC_HIGH | - | - | - | - | E1 HIGH | I HIGH | 00h |

The High Limit Status Register contains the status bits that are set when a temperature or voltage channel high limit is met or exceeded. If any of these bits are set, the HIGH status bit in the Status Register is set. Reading from the High Limit Status Register will clear all bits if the error condition has been removed. Reading from the register will also clear the HIGH status bit in the Status Register if the error condition has been removed.

If not masked, the $\overline{\text{ALERT}}$ pin will be set if the programmed number of consecutive alert counts have been met and any of these status bits are set. Once set, the status bits will remain set until read unless the ALERT pin is configured as a comparator output (see [Section 4.4.2](#)).

Bit 7 - VSENSE_HIGH - This bit is set when the V_{SENSE} value meets or exceeds its programmed high limit.

Bit 6 - VSRC_HIGH - This bit is set when the V_{SOURCE} value meets or exceeds its programmed high limit.

Bit 1 - E1HIGH - This bit is set when the External Diode 1 channel meets or exceeds its programmed high limit.

Bit 0 - IHIGH - This bit is set when the Internal Diode channel meets or exceeds its programmed high limit.

EMC1702

5.16 Low Limit Status Register

Table 5.20 Low Limit Status Register

| ADDR | R/W | REGISTER | B7 | B6 | B5 | B4 | B3 | B2 | B1 | B0 | DEFAULT |
|------|-----|------------------|------------|----------|----|----|----|----|--------|------|---------|
| 36h | R-C | Low Limit Status | VSENSE_LOW | VSRC_LOW | - | - | - | - | E1 LOW | ILOW | 00h |

The Low Limit Status Register contains the status bits that are set when a temperature or voltage channel drops below the low limit. If any of these bits are set, the LOW status bit in the Status Register is set. Reading from the Low Limit Status Register will clear all bits. Reading from the register will also clear the LOW status bit in the Status Register if the error status has been removed.

If not masked, the $\overline{\text{ALERT}}$ pin will be set if the programmed number of consecutive alert counts have been met and any of these status bits are set.

Once set, the status bits will remain set until read.

Bit 7 - VSENSE_LOW - This bit is set when the V_{SENSE} value drops below its programmed low limit.

Bit 6 - VSRC_LOW - This bit is set when the V_{SOURCE} value drops below its programmed low limit.

Bit 1 - E1LOW - This bit is set when the External Diode 1 channel drops below its programmed low limit.

Bit 0 - ILOW - This bit is set when the Internal Diode channel drops below its programmed low limit.

5.17 Crit Limit Status Register

Table 5.21 Crit Limit Status Register

| ADDR | R/W | REGISTER | B7 | B6 | B5 | B4 | B3 | B2 | B1 | B0 | DEFAULT |
|------|-----|-------------------|--------------|------------|----|----|----|----|----------|--------|---------|
| 37h | R-C | Crit Limit Status | VSENSE_VCRIT | VSRC_VCRIT | - | - | - | - | E1 TCRIT | ITCRIT | 00h |

The Crit Limit Status register contains the status bits that are set when a temperature or voltage channel Tcrit or Vcrit Limit is met or exceeded (see [Section 5.9](#) and [Section 5.27](#)). If any of these bits are set, the CRIT status bit in the Status register is set. Reading from the Crit Limit Status register will not clear the status bits. Once the temperature drops below the Tcrit Limit minus the Tcrit Hysteresis, the corresponding status bits will be automatically cleared. Once the voltage drops below the Vcrit Limit minus the Vcrit Hysteresis, the corresponding status bits will be automatically cleared. The CRIT bit in the Status register will be cleared when all individual bits are cleared.

Bit 7 - VSENSE_VCRIT - This bit is set when the V_{SENSE} value meets or exceeds its programmed Vcrit limit. When set, this bit will assert the THERM pin.

Bit 6 - VSRC_VCRIT - This bit is set when the V_{SOURCE} value meets or exceeds its programmed Vcrit limit. When set, this bit will assert the THERM pin.

Bit 1 - E1TCRIT - This bit is set when the External Diode 1 channel meets or exceeds its programmed Tcrit limit. When set, this bit will assert the THERM pin.

Bit 0 - ITCRIT - This bit is set when the Internal Diode channel meets or exceeds its programmed Tcrit limit. When set, this bit will assert the THERM pin.

5.18 Averaging Control Register

Table 5.22 Filter Configuration Register

| ADDR | R/W | REGISTER | B7 | B6 | B5 | B4 | B3 | B2 | B1 | B0 | DEFAULT |
|------|-----|----------------|----|----|----|----|----|----|-----------|----|---------|
| 40h | R/W | Filter Control | - | - | - | - | - | - | AVG1[1:0] | | 00h |

The Averaging Control Register controls the digital averaging on the external diode channels.

Bits 1-0 - AVG1[1:0] - Controls the digital averaging that is applied to the External Diode 1 temperature measurements as shown in Table 5.23.

Table 5.23 Averaging Settings

| AVGX[1:0] | | AVERAGING |
|-----------|---|--------------------|
| 1 | 0 | |
| 0 | 0 | Disabled (default) |
| 0 | 1 | 2x |
| 1 | 0 | 4x |
| 1 | 1 | 8x |

5.19 Voltage Sampling Configuration Register

Table 5.24 Voltage Sampling Configuration Register

| ADDR | R/W | REGISTER | B7 | B6 | B5 | B4 | B3 | B2 | B1 | B0 | DEFAULT |
|------|-----|-------------------------|----------------|----|----|----|--------------|----|------------|----|---------|
| 50h | R/W | Voltage Sampling Config | PK_ALERT_THERM | - | - | - | V_QUEUE[1:0] | | V_AVG[1:0] | | 80h |

The Voltage Sampling Configuration register controls functionality for the source voltage measurement and Peak Detector circuitry.

Bit 7 - PK_ALERT_THERM - Determines whether the $\overline{\text{ALERT}}$ pin or $\overline{\text{THERM}}$ pin is asserted if the Peak Detector detects a current spike. If configured to assert the $\overline{\text{ALERT}}$ pin, the PEAK_MASK can block the pin assertion normally. If configured to assert the $\overline{\text{THERM}}$ pin, it will not be masked.

- '0' - The Peak Detector circuitry will assert the $\overline{\text{ALERT}}$ pin when a current spike is detected. The $\overline{\text{ALERT}}$ pin must be configured to operate in Comparator mode or it will not be asserted.
- '1' (default) - The Peak Detector circuitry will assert the $\overline{\text{THERM}}$ pin when a current spike is detected.

Bits 3 - 2 - V_QUEUE[1:0] - Determine the number of consecutive measurements that V_{SOURCE} must exceed the limits before flagging an interrupt.

EMC1702

Table 5.25 Voltage Queue Settings

| V_QUEUE[1:0] | | NUMBER OF CONSECUTIVE OUT-OF-LIMIT MEASUREMENTS |
|--------------|---|---|
| 1 | 0 | |
| 0 | 0 | 1 (default) |
| 0 | 1 | 2 |
| 1 | 0 | 3 |
| 1 | 1 | 4 |

Bits 1-0 - V_AVG[1:0] - Controls the digital averaging that is applied to the source voltage measurement, as shown in [Table 5.26](#).

Table 5.26 Voltage Averaging Settings

| V_AVG[1:0] | | AVERAGING |
|------------|---|--------------------|
| 1 | 0 | |
| 0 | 0 | Disabled (default) |
| 0 | 1 | 2x |
| 1 | 0 | 4x |
| 1 | 1 | 8x |

5.20 Current Sense Sampling Configuration Register

Table 5.27 Current Sense Sampling Configuration Register

| ADDR | R/W | REGISTER | B7 | B6 | B5 | B4 | B3 | B2 | B1 | B0 | DEFAULT |
|------|-----|-------------------------------|----------------|----|-------------------|----|-------------------|----|--------------|----|---------|
| 51h | R/W | Current Sense Sampling Config | CS_QUEUE [1:0] | | CS_SAMP_AVG [1:0] | | CS_SAMP_TIME[1:0] | | CS_RNG [1:0] | | 03h |

The Current Sense Sampling Configuration register stores the controls for determining the Current Sense sampling / update time.

Bits 7 - 6 - CS_QUEUE[1:0] - Determine the number of consecutive measurements that the measured V_{SENSE} must exceed the limits before flagging an interrupt.

Table 5.28 Sense Queue Settings

| CS_QUEUE[1:0] | | NUMBER OF CONSECUTIVE OUT-OF-LIMIT MEASUREMENTS |
|---------------|---|---|
| 1 | 0 | |
| 0 | 0 | 1 (default) |
| 0 | 1 | 2 |

Table 5.28 Sense Queue Settings (continued)

| CS_QUEUE[1:0] | | NUMBER OF CONSECUTIVE OUT-OF-LIMIT MEASUREMENTS |
|---------------|---|---|
| 1 | 0 | |
| 1 | 0 | 3 |
| 1 | 1 | 4 |

Bits 5 - 4 - CS_SAMP_AVG[1:0] - Determines the number of averages that the Current Sensing Circuitry will take as shown in [Table 5.29](#).

Table 5.29 Current Sense Averaging Settings

| CS_SAMP_AVG[1:0] | | AVERAGING |
|------------------|---|--------------|
| 1 | 0 | |
| 0 | 0 | 1x (default) |
| 0 | 1 | 2x |
| 1 | 0 | 4x |
| 1 | 1 | 8x |

Bits 3 - 2 - CS_SAMP_TIME[1:0] - Determines the sampling time of the Current Sensing Circuitry as shown in [Table 5.30](#). The V_{SENSE} voltage will be updated at this rate representing the average current over the Sampling Time multiplied by the Averaging factor as shown in [Table 5.31](#).

Table 5.30 Current Sensing Sampling Time Settings

| CS_SAMP_TIME[1:0] | | CURRENT SENSOR SAMPLING TIME |
|-------------------|---|------------------------------|
| 1 | 0 | |
| 0 | 0 | 82ms (default) |
| 0 | 1 | 82ms |
| 1 | 0 | 164ms |
| 1 | 1 | 328ms |

Table 5.31 Total Sampling Times

| SAMPLING TIME | AVERAGING SELECTION | | | |
|---------------|---------------------|-------|--------|--------|
| | 1X | 2X | 4X | 8X |
| 82ms | 82ms | 164ms | 328ms | 655ms |
| 164ms | 164ms | 328ms | 655ms | 1310ms |
| 328ms | 328ms | 655ms | 1310ms | 2620ms |

EMC1702

Bits 1 - 0 - CS_RNG[1:0] - Determines the Current Sense maximum expected voltage (full scale range) as shown in [Table 5.32](#).

Table 5.32 Current Sensing Range (Full Scale Range) Settings

| CS_RNG[1:0] | | CURRENT SENSOR RANGE |
|-------------|---|----------------------|
| 1 | 0 | |
| 0 | 0 | 10mV |
| 0 | 1 | 20mV |
| 1 | 0 | 40mV |
| 1 | 1 | 80mV (default) |

5.21 Peak Detection Configuration Register

Table 5.33 Peak Detection Configuration Register

| ADDR | R/W | REGISTER | B7 | B6 | B5 | B4 | B3 | B2 | B1 | B0 | DEFAULT |
|------|-----|-----------------------|------------------|----|----|----|-------------------|----|----|----|---------|
| 52h | R/W | Peak Detection Config | PEAK_DET_TH[3:0] | | | | PEAK_DET_DUR[3:0] | | | | 00h |

The Peak Detection Configuration register controls the threshold and durations used by the Peak Detection circuitry. At all times, the Peak Detection threshold and duration are set by the values written into this register. The resistors on the TH_SEL and DUR_SEL pins are used to determine the initial values of this register and will not be retained if the value is over written by the user.

These values may be updated at any time via the SMBus.

Bits 7-4 - PEAK_DET_TH[3:0] - Determines the Peak Detector Threshold level as shown in [Table 5.34](#).

Table 5.34 PEAK_DET_TH[3:0] Bit Decode

| PEAK_DET_TH[3:0] | | | | PEAK DETECTION THRESHOLD |
|------------------|---|---|---|--------------------------|
| 3 | 2 | 1 | 0 | |
| 0 | 0 | 0 | 0 | 10mV |
| 0 | 0 | 0 | 1 | 15mV |
| 0 | 0 | 1 | 0 | 20mV |
| 0 | 0 | 1 | 1 | 25mV |
| 0 | 1 | 0 | 0 | 30mV |
| 0 | 1 | 0 | 1 | 35mV |
| 0 | 1 | 1 | 0 | 40mV |

Table 5.34 PEAK_DET_TH[3:0] Bit Decode (continued)

| PEAK_DET_TH[3:0] | | | | PEAK DETECTION THRESHOLD |
|------------------|---|---|---|--------------------------|
| 3 | 2 | 1 | 0 | |
| 0 | 1 | 1 | 1 | 45mV |
| 1 | 0 | 0 | 0 | 50mV |
| 1 | 0 | 0 | 1 | 55mV |
| 1 | 0 | 1 | 0 | 60mV |
| 1 | 0 | 1 | 1 | 65mV |
| 1 | 1 | 0 | 0 | 70mV |
| 1 | 1 | 0 | 1 | 75mV |
| 1 | 1 | 1 | 0 | 80mV |
| 1 | 1 | 1 | 1 | 85mV |

Bits 4-0 - PEAK_DET_DUR[3:0] - Determines the Peak Detector minimum time threshold as shown in [Table 5.35](#).

Table 5.35 PEAK_DET_DUR[3:0] Bit Decode

| PEAK_DET_DUR[3:0] | | | | PEAK DETECTION MINIMUM DURATION |
|-------------------|---|---|---|---------------------------------|
| 3 | 2 | 1 | 0 | |
| 0 | 0 | 0 | 0 | 1ms |
| 0 | 0 | 0 | 1 | 5.12ms |
| 0 | 0 | 1 | 0 | 25.6 ms |
| 0 | 0 | 1 | 1 | 51.2 ms |
| 0 | 1 | 0 | 0 | 76.8 ms |
| 0 | 1 | 0 | 1 | 102.4ms |
| 0 | 1 | 1 | 0 | 128.0ms |
| 0 | 1 | 1 | 1 | 256.0ms |
| 1 | 0 | 0 | 0 | 384.0ms |
| 1 | 0 | 0 | 1 | 512.0ms |
| 1 | 0 | 1 | 0 | 768.0ms |
| 1 | 0 | 1 | 1 | 1024.0ms |
| 1 | 1 | 0 | 0 | 1536.0ms |
| 1 | 1 | 0 | 1 | 2048.0ms |
| 1 | 1 | 1 | 0 | 3072.0ms |
| 1 | 1 | 1 | 1 | 4096.0ms |

EMC1702

5.22 Sense Voltage Registers

Table 5.36 Sense Voltage Registers

| ADDR | R/W | REGISTER | B7 | B6 | B5 | B4 | B3 | B2 | B1 | B0 | DEFAULT |
|------|-----|-------------------------|------|------|-----|-----|-----|----|----|----|---------|
| 54h | R | Sense Voltage High Byte | Sign | 1024 | 512 | 256 | 128 | 64 | 32 | 16 | 00h |
| 55h | R | Sense Voltage Low Byte | 8 | 4 | 2 | 1 | | | | | 00h |

The Sense Voltage registers store the measured V_{SENSE} voltage across the sense resistor (R_{SENSE}) placed between the SENSE+ and SENSE- pins (see Section 4.1.1, "Current Measurement"). Note that the bit weighting values are for representation of the voltage relative to full scale. There is no internal scaling of data and all normal binary bit weightings still apply.

The Sense Voltage register data format is standard 2's complement format with the positive full scale value (7F_Fh) and negative full scale value (80_0h) equal to the programmed maximum sense voltage (see Section 5.20, "Current Sense Sampling Configuration Register").

The Sign bit indicates the direction of current flow. If the Sign bit is '0', current is flowing through R_{SENSE} from the SENSE+ pin to the SENSE- pin. If the Sign bit is '1', the current is flowing through R_{SENSE} from the SENSE- pin to the SENSE+ pin. See Section 4.1.1, "Current Measurement" for examples.

Table 5.37 V_{SENSE} Data Format

| V_{SENSE} | BINARY | HEX (AS READ BY REGISTERS) |
|------------------|----------------|----------------------------|
| Minus Full Scale | 1000_0000_0000 | 80_0h |
| -2 LSB | 1111_1111_1110 | FF_Eh |
| -1 LSB | 1111_1111_1111 | FF_Fh |
| Zero | 0000_0000_0000 | 00_0h |
| +1 LSB | 0000_0000_0001 | 00_1h |
| +2 LSB | 0000_0000_0010 | 00_2h |
| Plus Full Scale | 0111_1111_1111 | 7F_Fh |

5.23 Source Voltage Registers

Table 5.38 Source Voltage Registers

| ADDR | R/W | REGISTER | B7 | B6 | B5 | B4 | B3 | B2 | B1 | B0 | DEFAULT |
|------|-----|------------------------|--------|--------|--------|-----|------|-------|--------|--------|---------|
| 58h | R | V_{SOURCE} High Byte | 12 | 6 | 3 | 1.5 | 0.75 | 0.375 | 0.1875 | 0.0938 | 00h |
| 59h | R | V_{SOURCE} low Byte | 0.0469 | 0.0234 | 0.0117 | - | - | - | - | - | 00h |

The Source Voltage registers store the voltage measured at the SENSE+ pin (see [Section 4.1.2, "Voltage Measurement"](#)) as a digital value, V_{SOURCE} , consisting of a high byte and low byte with five of its LSBs always zero.

The measured voltage is determined by summing the bit weights of each bit set. For example, if V_{BUS} was 7.4V, the Source Voltage registers would read 0100_1110 for the high byte and 1100_0000b for the low byte corresponding to $6V + 0.75V + 0.375V + 0.1875V + 0.0469V + 0.0234V = 7.383V$.

The bit weightings are assigned for human interpretation. They should be disregarded when translating the information via a computing system as shown in [Section 4.1.2, "Voltage Measurement"](#).

The Source Voltage registers cannot support negative values, and all values less than 0V will be recorded as 0V.

5.24 Power Ratio Registers

Table 5.39 Power Ratio Registers

| ADDR | R/W | REGISTER | B7 | B6 | B5 | B4 | B3 | B2 | B1 | B0 | DEFAULT |
|------|-----|-----------------------|-------|-------|------|------|------|------|-----|-----|---------|
| 5Bh | R | Power Ratio High Byte | 32768 | 16384 | 8192 | 4096 | 2048 | 1024 | 512 | 256 | 00h |
| 5Ch | R | Power Ratio Low Byte | 128 | 64 | 32 | 16 | 8 | 4 | 2 | 1 | 00h |

The Power Ratio registers store a power factor value that is used to determine the final average power delivered to the system (see [Section 4.1.3, "Power Calculation"](#)). The power factor value is the result of the multiplication of the V_{SENSE} reading and the V_{SOURCE} reading values shifted to a 16-bit number. It represents the ratio of delivered power with respect to maximum power.

5.25 V_{SENSE} Limit Registers

Table 5.40 V_{SENSE} Limit Registers

| ADDR | R/W | REGISTER | B7 | B6 | B5 | B4 | B3 | B2 | B1 | B0 | DEFAULT |
|------|-----|--------------------------|------|------|-----|-----|-----|----|----|----|---------|
| 60h | R/W | Sense Voltage High Limit | Sign | 1024 | 512 | 256 | 128 | 64 | 32 | 16 | 7Fh |
| 61h | R/W | Sense Voltage Low Limit | Sign | 1024 | 512 | 256 | 128 | 64 | 32 | 16 | 80h |

The V_{SENSE} Limit registers store a high and low limit for V_{SENSE} . V_{SENSE} is compared against both limits after each update.

The data format for the limit is a raw binary form that is relative to the maximum V_{SENSE} that has been programmed.

If the measured sense voltage meets or exceeds the high limit or drops below the low limit, the \overline{ALERT} pin is asserted and the V_{SENSE_HIGH} or V_{SENSE_LOW} status bits are set in the High Limit Status or Low Limit Status registers (see [Section 5.15](#) and [Section 5.16](#)).

APPLICATION NOTE: V_{SENSE} is always checked to be greater than the high limit or less than the low limit including when V_{SENSE} is negative.

EMC1702

5.26 Source Voltage Limit Registers

Table 5.41 Source Voltage Limit Registers

| ADDR | R/W | REGISTER | B7 | B6 | B5 | B4 | B3 | B2 | B1 | B0 | DEFAULT |
|------|-----|---------------------------|----|----|----|-----|------|-------|--------|--------|---------|
| 64h | R/W | Source Voltage High Limit | 12 | 6 | 3 | 1.5 | 0.75 | 0.375 | 0.1875 | 0.0938 | FFh |
| 65h | R/W | Source Voltage Low Limit | 12 | 6 | 3 | 1.5 | 0.75 | 0.375 | 0.1875 | 0.0938 | 00h |

The Source Voltage Limit registers store the high and low limits for V_{SOURCE} . V_{SOURCE} is compared against all limits after each update.

If V_{SOURCE} meets or exceeds the corresponding high limit or drops below the low limit, the \overline{ALERT} pin is asserted and the VSRC_HIGH or VSRC_LOW status bits are set in the High Limit Status or Low Limit Status registers (see [Section 5.15](#) and [Section 5.16](#)).

5.27 Critical Voltage Limit Registers

Table 5.42 Critical Voltage Limit Registers

| ADDR | R/W | REGISTER | B7 | B6 | B5 | B4 | B3 | B2 | B1 | B0 | DEFAULT |
|------|-----|---------------------------------|------|------|-----|-----|------|-------|--------|--------|---------|
| 66h | R/W | Sense Voltage Vcrit Limit | Sign | 1024 | 512 | 256 | 128 | 64 | 32 | 16 | 7Fh |
| 68h | R/W | Source Voltage Vcrit Limit | 12 | 6 | 3 | 1.5 | 0.75 | 0.375 | 0.1875 | 0.0938 | FFh |
| 69h | R/W | Sense Voltage Vcrit Hysteresis | - | - | - | 256 | 128 | 64 | 32 | 16 | 0Ah |
| 6Ah | R/W | Source Voltage Vcrit Hysteresis | - | - | - | 1.5 | 0.75 | 0.375 | 0.1875 | 0.0938 | 0Ah |

The Critical Voltage Limit registers store the critical voltage limits (Vcrit limits) for V_{SENSE} and V_{SOURCE} .

If the respective value meets or exceeds its critical limit, the \overline{THERM} pin will be asserted low and the respective VCRIT status bit will be set (see [Section 5.17](#), "Crit Limit Status Register"). It will remain asserted until the respective value drops below its limit minus the respective Vcrit Hysteresis value.

5.28 Product Features Register

Table 5.43 Product Features

| ADDR | R/W | REGISTER | B7 | B6 | B5 | B4 | B3 | B2 | B1 | B0 | DEFAULT |
|------|-----|------------------|-------------|----|----|----|--------------|----|----|----|---------|
| FCh | R | Product Features | TH_SEL[3:0] | | | | DUR_SEL[3:0] | | | | 00h |

The Product Features register indicates functionality that is selected by the user based on pin states upon device power up.

Bits 7-4 - TH_SEL[3:0] - Indicates the selected Peak Detector Threshold setting as determined by the TH_SEL pin. This value will be the default setting for the PEAK_DET_TH[3:0] bits and uses the same decode as given in [Table 5.34](#).

Bits 3-0 - DUR_SEL[3:0] - Indicates the selected Peak Detector minimum duration setting as determined by the DUR_SEL pin. This value will be the default setting for the PEAK_DET_DUR[3:0] bits and uses the same decode as given in [Table 5.35](#).

5.29 Product ID Register

Table 5.44 Product ID Register

| ADDR | R/W | REGISTER | B7 | B6 | B5 | B4 | B3 | B2 | B1 | B0 | DEFAULT |
|------|-----|------------|----|----|----|----|----|----|----|----|---------|
| FDh | R | Product ID | 0 | 0 | 1 | 1 | 1 | 0 | 0 | 1 | 39h |

The Product ID Register holds a unique value that identifies the device.

5.30 Microchip ID Register

Table 5.45 Manufacturer ID Register

| ADDR. | R/W | REGISTER | B7 | B6 | B5 | B4 | B3 | B2 | B1 | B0 | DEFAULT |
|-------|-----|--------------|----|----|----|----|----|----|----|----|---------|
| FEh | R | Microchip ID | 0 | 1 | 0 | 1 | 1 | 1 | 0 | 1 | 5Dh |

The Manufacturer ID register contains an 8-bit word that identifies Microchip as the manufacturer of the EMC1702.

5.31 Revision Register

Table 5.46 Revision Register

| ADDR. | R/W | REGISTER | B7 | B6 | B5 | B4 | B3 | B2 | B1 | B0 | DEFAULT |
|-------|-----|----------|----|----|----|----|----|----|----|----|---------|
| FFh | R | Revision | 1 | 0 | 0 | 0 | 0 | 0 | 1 | 0 | 82h |

The Revision register contains an 8-bit word that identifies the die revision.

EMC1702

Chapter 6 Package Description

6.1 EMC1702 Package Drawing (12-Pin QFN 4mm x 4mm)

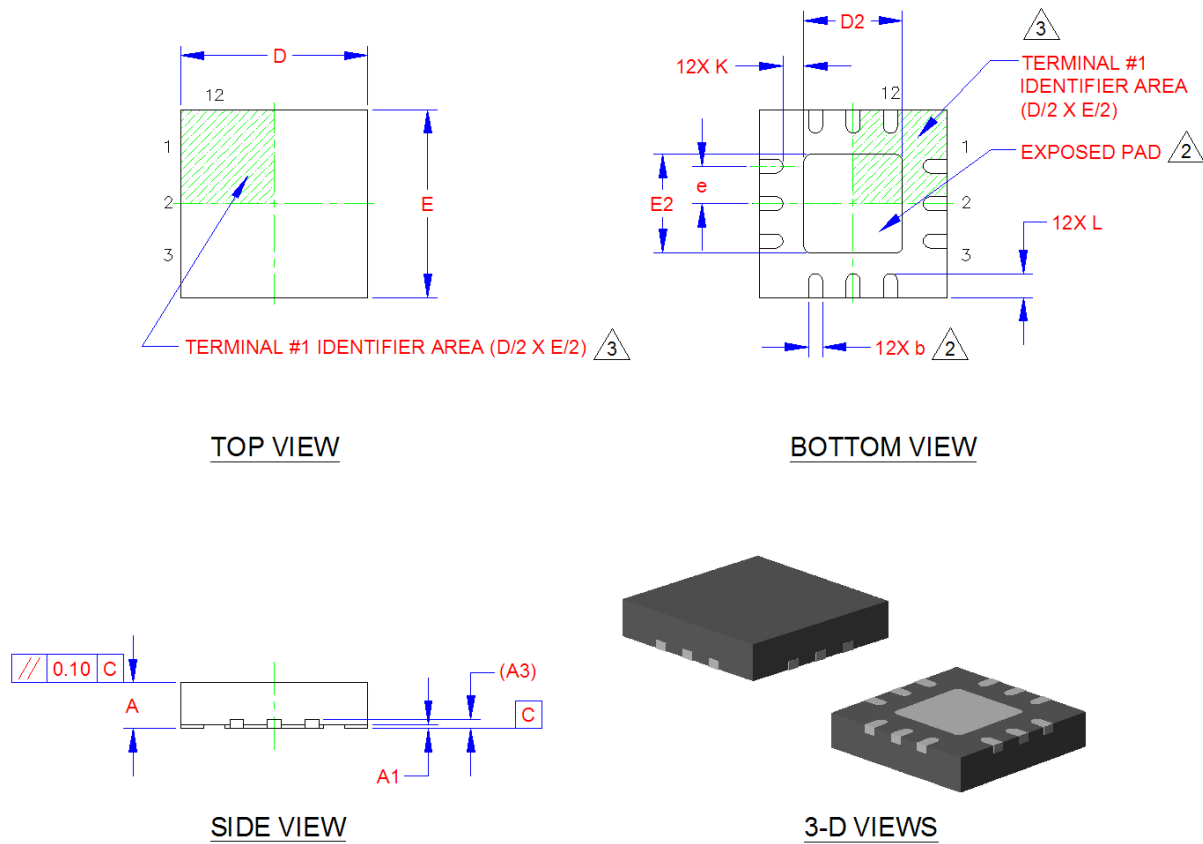


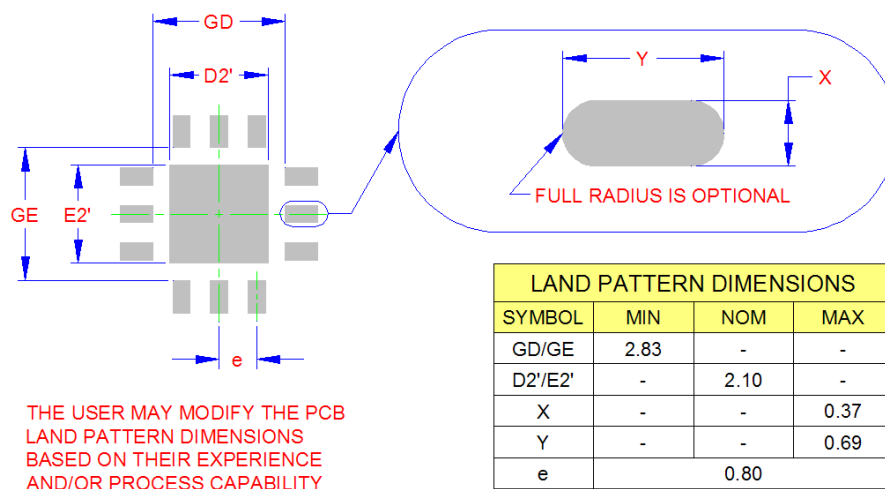
Figure 6.1 12-Pin QFN 4mm x 4mm Package Drawings

| COMMON DIMENSIONS | | | | | |
|-------------------|----------|------|------|------|--------------------------|
| SYMBOL | MIN | NOM | MAX | NOTE | REMARK |
| A | 0.80 | 0.85 | 0.90 | - | OVERALL PACKAGE HEIGHT |
| A1 | 0 | 0.02 | 0.05 | - | STANDOFF |
| A3 | 0.20 REF | | | - | LEAD-FRAME THICKNESS |
| D/E | 3.90 | 4.00 | 4.10 | - | X/Y BODY SIZE |
| D2/E2 | 2.00 | 2.10 | 2.20 | 2 | X/Y EXPOSED PAD SIZE |
| L | 0.45 | 0.50 | 0.55 | - | TERMINAL LENGTH |
| b | 0.25 | 0.30 | 0.35 | 2 | TERMINAL WIDTH |
| K | 0.20 | - | - | - | TERMINAL TO PAD DISTANCE |
| e | 0.80 BSC | | | - | TERMINAL PITCH |

NOTES:

1. ALL DIMENSIONS ARE IN MILLIMETERS.
2. POSITION TOLERANCE OF EACH TERMINAL AND EXPOSED PAD IS $\pm 0.05\text{mm}$ AT MAXIMUM MATERIAL CONDITION. DIMENSIONS "b" APPLIES TO PLATED TERMINALS AND IT IS MEASURED BETWEEN 0.15 AND 0.30 mm FROM THE TERMINAL TIP.
3. DETAILS OF TERMINAL #1 IDENTIFIER ARE OPTIONAL BUT MUST BE LOCATED WITHIN THE AREA INDICATED.

Figure 6.2 12-Pin QFN 4mm x 4mm Package Dimensions and Notes



RECOMMENDED PCB LAND PATTERN

Figure 6.3 12-Pin QFN 4mm x 4mm PCB Footprint

EMC1702

6.2 EMC1702 Package Markings

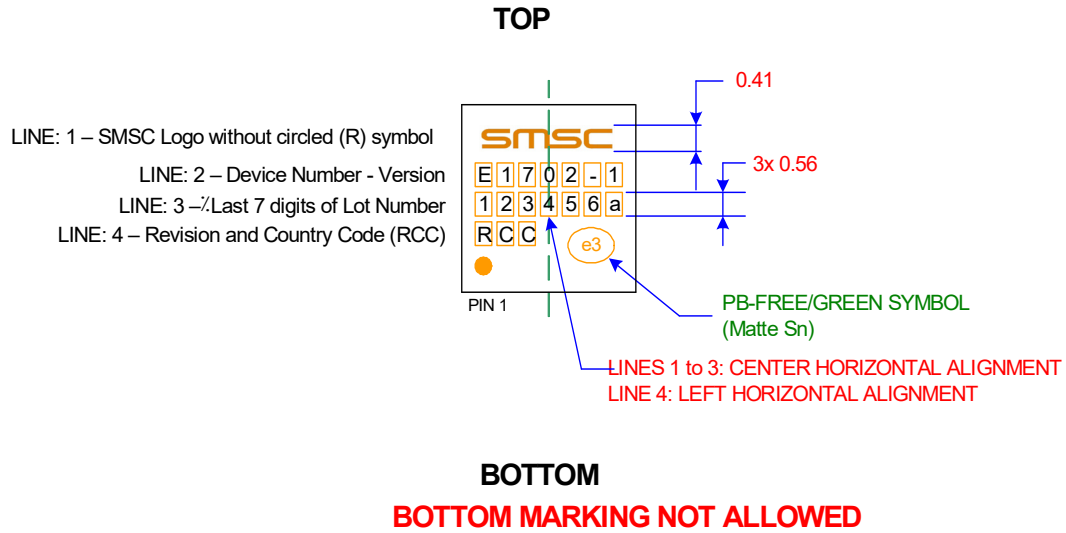


Figure 6.4 EMC1702 Package Markings

Chapter 7 Datasheet Revision History

Table 7.1 Customer Revision History

| REVISION LEVEL & DATE | SECTION/FIGURE/ENTRY | CORRECTION |
|------------------------|--|--|
| DS20006455A (11-03-20) | Document Update | Moved document to the Microchip template |
| Rev. 1.2 (09-27-10) | Table 2.1, "Absolute Maximum Ratings" | Added spec for voltage between SENSE pins. |
| | Table 2.2, "Electrical Specifications" | Updated all electrical specs for current sense measurement, supply current, and peak detector. |
| | Electrical Specifications APPLICATION NOTE: | Added note: The EMC1704 is trimmed at the 80mV range for best accuracy. |
| | Section 5.13, "Beta Configuration Registers" | "BETAx[2:0] bits" changed to "BETAx[3:0] bits". |
| Rev. 1.1 (06-16-10) | System Diagram | Updated. |
| | Section 5.15, "High Limit Status Register" and Section 5.16, "Low Limit Status Register" | ALERT# pin won't be set if masked. |
| | Table 5.32, "Current Sensing Range (Full Scale Range) Settings" | Changed title from Current Sensing Range to Current Sensing Range (Full Scale Range) Settings. |
| | Table 2.2, "Electrical Specifications" | <p>T_A upper limit changed from 125°C to 85°C. Bus voltage symbol changed from V_{SOURCE} to V_{BUS}. I_{DD} at 4 conversions/second with dynamic averaging enabled changed from 0.95 typ and 1.375 max to 0.9 typ and 1.3 max. I_{DD} at 4 conversions/second with dynamic averaging disabled changed from 0.80 typ to 0.8 typ. I_{DD} at 1 conversion/second with dynamic averaging disabled changed from 650 typ and 1 max to 0.7 typ and 1.0 max. V_{SENSE} Full Scale Sense Range values changed from 0 min and +/- max values to - min values and + max values; conditions changed. Total Unadjusted V_{SENSE} Measurement Error (V_{SENSE_TUE}) renamed V_{SENSE} Measurement Error (V_{SENSE_ERR}); typ value at 20-80mV FSR changed from 0.8 to +/-0.5 and max changed from +/-1.5 to +/-1; typ value at 10mV FSR changed from 0.2 to +/-0.8 and max changed from +/-2 to +/-1.5. V_{SENSE_OFF} condition added. V_{SENSE} Measurement Gain Error has new symbol V_{SENSE_GN}; added typ +/-0.2 and changed max from 0.5 to +/-0.5. V_{TH_ERR} changed from +/-20 to +/-2. V_{SOURCE_ERR} changed conditions; typ changed from 0.05 to +/-0.2 and max changed from 1 to +/-0.5. Added Power Ratio Measurement specs.</p> <p>Data hold time changed from 0.6 min and 6 max to 0 min and no max.</p> |

EMC1702

Table 7.1 Customer Revision History (continued)

| REVISION LEVEL & DATE | SECTION/FIGURE/ENTRY | CORRECTION |
|-----------------------|--------------------------------------|--|
| | Figure 4.1, "EMC1702 System Diagram" | Diagram modified |
| | Section 5.31, "Revision Register" | Functional revision C changed default from 81h to 82h. |
| Rev. 1.0 (11-09-09) | Formal release | |

THE MICROCHIP WEB SITE

Microchip provides online support via our WWW site at www.microchip.com. This web site is used as a means to make files and information easily available to customers. Accessible by using your favorite Internet browser, the web site contains the following information:

- **Product Support** – Data sheets and errata, application notes and sample programs, design resources, user's guides and hardware support documents, latest software releases and archived software
- **General Technical Support** – Frequently Asked Questions (FAQ), technical support requests, online discussion groups, Microchip consultant program member listing
- **Business of Microchip** – Product selector and ordering guides, latest Microchip press releases, listing of seminars and events, listings of Microchip sales offices, distributors and factory representatives

CUSTOMER CHANGE NOTIFICATION SERVICE

Microchip's customer notification service helps keep customers current on Microchip products. Subscribers will receive e-mail notification whenever there are changes, updates, revisions or errata related to a specified product family or development tool of interest.

To register, access the Microchip web site at www.microchip.com. Under "Support", click on "Customer Change Notification" and follow the registration instructions.

CUSTOMER SUPPORT

Users of Microchip products can receive assistance through several channels:

- Distributor or Representative
- Local Sales Office
- Field Application Engineer (FAE)
- Technical Support

Customers should contact their distributor, representative or Field Application Engineer (FAE) for support. Local sales offices are also available to help customers. A listing of sales offices and locations is included in the back of this document.

Technical support is available through the web site at: <http://microchip.com/support>

Note the following details of the code protection feature on Microchip devices:

- Microchip products meet the specifications contained in their particular Microchip Data Sheet.
- Microchip believes that its family of products is secure when used in the intended manner and under normal conditions.
- There are dishonest and possibly illegal methods being used in attempts to breach the code protection features of the Microchip devices. We believe that these methods require using the Microchip products in a manner outside the operating specifications contained in Microchip's Data Sheets. Attempts to breach these code protection features, most likely, cannot be accomplished without violating Microchip's intellectual property rights.
- Microchip is willing to work with any customer who is concerned about the integrity of its code.
- Neither Microchip nor any other semiconductor manufacturer can guarantee the security of its code. Code protection does not mean that we are guaranteeing the product is "unbreakable." Code protection is constantly evolving. We at Microchip are committed to continuously improving the code protection features of our products. Attempts to break Microchip's code protection feature may be a violation of the Digital Millennium Copyright Act. If such acts allow unauthorized access to your software or other copyrighted work, you may have a right to sue for relief under that Act.

Information contained in this publication is provided for the sole purpose of designing with and using Microchip products. Information regarding device applications and the like is provided only for your convenience and may be superseded by updates. It is your responsibility to ensure that your application meets with your specifications.

THIS INFORMATION IS PROVIDED BY MICROCHIP "AS IS". MICROCHIP MAKES NO REPRESENTATIONS OR WARRANTIES OF ANY KIND WHETHER EXPRESS OR IMPLIED, WRITTEN OR ORAL, STATUTORY OR OTHERWISE, RELATED TO THE INFORMATION INCLUDING BUT NOT LIMITED TO ANY IMPLIED WARRANTIES OF NON-INFRINGEMENT, MERCHANTABILITY, AND FITNESS FOR A PARTICULAR PURPOSE OR WARRANTIES RELATED TO ITS CONDITION, QUALITY, OR PERFORMANCE.

IN NO EVENT WILL MICROCHIP BE LIABLE FOR ANY INDIRECT, SPECIAL, PUNITIVE, INCIDENTAL OR CONSEQUENTIAL LOSS, DAMAGE, COST OR EXPENSE OF ANY KIND WHATSOEVER RELATED TO THE INFORMATION OR ITS USE, HOWEVER CAUSED, EVEN IF MICROCHIP HAS BEEN ADVISED OF THE POSSIBILITY OR THE DAMAGES ARE FORESEEABLE. TO THE FULLEST EXTENT ALLOWED BY LAW, MICROCHIP'S TOTAL LIABILITY ON ALL CLAIMS IN ANY WAY RELATED TO THE INFORMATION OR ITS USE WILL NOT EXCEED THE AMOUNT OF FEES, IF ANY, THAT YOU HAVE PAID DIRECTLY TO MICROCHIP FOR THE INFORMATION. Use of Microchip devices in life support and/or safety applications is entirely at the buyer's risk, and the buyer agrees to defend, indemnify and hold harmless Microchip from any and all damages, claims, suits, or expenses resulting from such use. No licenses are conveyed, implicitly or otherwise, under any Microchip intellectual property rights unless otherwise stated.

Trademarks

The Microchip name and logo, the Microchip logo, Adaptec, AnyRate, AVR, AVR logo, AVR Freaks, BesTime, BitCloud, chipKIT, chipKIT logo, CryptoMemory, CryptoRF, dsPIC, FlashFlex, flexPWR, HELDO, IGLOO, JukeBlox, KeeLoq, Klear, LANCheck, LinkMD, maXStylus, maXTouch, MediaLB, megaAVR, Microsemi, Microsemi logo, MOST, MOST logo, MPLAB, OptoLyzer, PackeTime, PIC, picoPower, PICSTART, PIC32 logo, PolarFire, Prochip Designer, QTouch, SAM-BA, SenGenuity, SpyNIC, SST, SST Logo, SuperFlash, Symmetricom, SyncServer, Tachyon, TimeSource, tinyAVR, UNI/O, Vectron, and XMEGA are registered trademarks of Microchip Technology Incorporated in the U.S.A. and other countries.

AgileSwitch, APT, ClockWorks, The Embedded Control Solutions Company, EtherSynch, FlashTec, Hyper Speed Control, HyperLight Load, IntelliMOS, Libero, motorBench, mTouch, Powermite 3, Precision Edge, ProASIC, ProASIC Plus, ProASIC Plus logo, Quiet-Wire, SmartFusion, SyncWorld, Temux, TimeCesium, TimeHub, TimePictra, TimeProvider, WinPath, and ZL are registered trademarks of Microchip Technology Incorporated in the U.S.A.

Adjacent Key Suppression, AKS, Analog-for-the-Digital Age, Any Capacitor, AnyIn, AnyOut, Augmented Switching, BlueSky, BodyCom, CodeGuard, CryptoAuthentication, CryptoAutomotive, CryptoCompanion, CryptoController, dsPICDEM, dsPICDEM.net, Dynamic Average Matching, DAM, ECAN, Espresso T1S, EtherGREEN, IdealBridge, In-Circuit Serial Programming, ICSP, INICnet, Intelligent Paralleling, Inter-Chip Connectivity, JitterBlocker, maxCrypto, maxView, memBrain, Mindi, MiWi, MPASM, MPF, MPLAB Certified logo, MPLIB, MPLINK, MultiTRAK, NetDetach, Omniscent Code Generation, PICDEM, PICDEM.net, PICkit, PICtail, PowerSmart, PureSilicon, QMatrix, REAL ICE, Ripple Blocker, RTAX, RTG4, SAM-ICE, Serial Quad I/O, simpleMAP, SimpliPHY, SmartBuffer, SMART-I.S., storClad, SQL, SuperSwitcher, SuperSwitcher II, Switchtec, SynchroPHY, Total Endurance, TSHARC, USBCheck, VariSense, VectorBlox, VeriPHY, ViewSpan, WiperLock, XpressConnect, and ZENA are trademarks of Microchip Technology Incorporated in the U.S.A. and other countries.

SQTP is a service mark of Microchip Technology Incorporated in the U.S.A.

The Adaptec logo, Frequency on Demand, Silicon Storage Technology, and Symmcom are registered trademarks of Microchip Technology Inc. in other countries.

GestIC is a registered trademark of Microchip Technology Germany II GmbH & Co. KG, a subsidiary of Microchip Technology Inc., in other countries.

All other trademarks mentioned herein are property of their respective companies.

© 2020, Microchip Technology Incorporated, All Rights Reserved.

ISBN: 9781522470731

For information regarding Microchip's Quality Management Systems, please visit www.microchip.com/quality.



MICROCHIP

Worldwide Sales and Service

AMERICAS

Corporate Office
2355 West Chandler Blvd.
Chandler, AZ 85224-6199
Tel: 480-792-7200
Fax: 480-792-7277
Technical Support:
<http://www.microchip.com/support>
Web Address:
www.microchip.com

Atlanta

Duluth, GA
Tel: 678-957-9614
Fax: 678-957-1455

Austin, TX

Tel: 512-257-3370

Boston

Westborough, MA
Tel: 774-760-0087
Fax: 774-760-0088

Chicago

Itasca, IL
Tel: 630-285-0071
Fax: 630-285-0075

Dallas

Addison, TX
Tel: 972-818-7423
Fax: 972-818-2924

Detroit

Novi, MI
Tel: 248-848-4000

Houston, TX

Tel: 281-894-5983

Indianapolis

Noblesville, IN
Tel: 317-773-8323
Fax: 317-773-5453
Tel: 317-536-2380

Los Angeles

Mission Viejo, CA
Tel: 949-462-9523
Fax: 949-462-9608
Tel: 951-273-7800

Raleigh, NC

Tel: 919-844-7510

New York, NY

Tel: 631-435-6000

San Jose, CA

Tel: 408-735-9110
Tel: 408-436-4270

Canada - Toronto

Tel: 905-695-1980
Fax: 905-695-2078

ASIA/PACIFIC

Australia - Sydney
Tel: 61-2-9868-6733

China - Beijing
Tel: 86-10-8569-7000

China - Chengdu
Tel: 86-28-8665-5511

China - Chongqing
Tel: 86-23-8980-9588

China - Dongguan
Tel: 86-769-8702-9880

China - Guangzhou
Tel: 86-20-8755-8029

China - Hangzhou
Tel: 86-571-8792-8115

China - Hong Kong SAR
Tel: 852-2943-5100

China - Nanjing
Tel: 86-25-8473-2460

China - Qingdao
Tel: 86-532-8502-7355

China - Shanghai
Tel: 86-21-3326-8000

China - Shenyang
Tel: 86-24-2334-2829

China - Shenzhen
Tel: 86-755-8864-2200

China - Suzhou
Tel: 86-186-6233-1526

China - Wuhan
Tel: 86-27-5980-5300

China - Xian
Tel: 86-29-8833-7252

China - Xiamen
Tel: 86-592-2388138

China - Zhuhai
Tel: 86-756-3210040

ASIA/PACIFIC

India - Bangalore
Tel: 91-80-3090-4444

India - New Delhi
Tel: 91-11-4160-8631

India - Pune
Tel: 91-20-4121-0141

Japan - Osaka
Tel: 81-6-6152-7160

Japan - Tokyo
Tel: 81-3-6880-3770

Korea - Daegu
Tel: 82-53-744-4301

Korea - Seoul
Tel: 82-2-554-7200

Malaysia - Kuala Lumpur
Tel: 60-3-7651-7906

Malaysia - Penang
Tel: 60-4-227-8870

Philippines - Manila
Tel: 63-2-634-9065

Singapore
Tel: 65-6334-8870

Taiwan - Hsin Chu
Tel: 886-3-577-8366

Taiwan - Kaohsiung
Tel: 886-7-213-7830

Taiwan - Taipei
Tel: 886-2-2508-8600

Thailand - Bangkok
Tel: 66-2-694-1351

Vietnam - Ho Chi Minh
Tel: 84-28-5448-2100

EUROPE

Austria - Wels
Tel: 43-7242-2244-39
Fax: 43-7242-2244-393

Denmark - Copenhagen
Tel: 45-4485-5910
Fax: 45-4485-2829

Finland - Espoo
Tel: 358-9-4520-820

France - Paris
Tel: 33-1-69-53-63-20
Fax: 33-1-69-30-90-79

Germany - Garching
Tel: 49-8931-9700

Germany - Haan
Tel: 49-2129-3766400

Germany - Heilbronn
Tel: 49-7131-72400

Germany - Karlsruhe
Tel: 49-721-625370

Germany - Munich
Tel: 49-89-627-144-0
Fax: 49-89-627-144-44

Germany - Rosenheim
Tel: 49-8031-354-560

Israel - Ra'anana
Tel: 972-9-744-7705

Italy - Milan
Tel: 39-0331-742611
Fax: 39-0331-466781

Italy - Padova
Tel: 39-049-7625286

Netherlands - Drunen
Tel: 31-416-690399
Fax: 31-416-690340

Norway - Trondheim
Tel: 47-7288-4388

Poland - Warsaw
Tel: 48-22-3325737

Romania - Bucharest
Tel: 40-21-407-87-50

Spain - Madrid
Tel: 34-91-708-08-90
Fax: 34-91-708-08-91

Sweden - Gothenberg
Tel: 46-31-704-60-40

Sweden - Stockholm
Tel: 46-8-5090-4654

UK - Wokingham
Tel: 44-118-921-5800
Fax: 44-118-921-5820