

MSCSM120AM027CD3AG
Datasheet
Phase Leg SiC Power Module

January 2020



a  **MICROCHIP** company

Contents

1 Revision History.....	1
Revision 1.0.....	1
Product Overview.....	2
2.1 Features.....	3
2.2 Benefits.....	3
2.3 Applications.....	3
Electrical Specifications.....	4
3.1 SiC MOSFET Characteristics (Per MOSFET).....	4
3.2 SiC Schottky Diode Ratings Characteristics (Per SiC Diode).....	6
3.3 Thermal and Package Characteristics.....	6
3.4 Typical SiC MOSFET Performance Curves.....	7
3.5 Typical SiC Diode Performance Curves.....	10
Package Specifications.....	11

Tables

Table 1 • Absolute Maximum Ratings.....	4
Table 2 • Electrical Characteristics.....	4
Table 3 • Dynamic Characteristics.....	5
Table 4 • Body Diode Ratings and Characteristics.....	5
Table 5 • SiC Schottky Diode Ratings and Characteristics.....	6
Table 6 • Package Characteristics.....	6

Figures

Figure 1 • MSCSM120AM027CD3AG Electrical Schematic.....	2
Figure 2 • MSCSM120AM027CD3AG Pinout Location.....	2
Figure 3 • Maximum Thermal Impedance.....	7
Figure 4 • Output Characteristics, T _J = 25 °C.....	7
Figure 5 • Output Characteristics, T _J = 175 °C.....	7
Figure 6 • Normalized RDS(on) vs. Temperature.....	7
Figure 7 • Transfer Characteristics.....	7
Figure 8 • Switching Energy vs. R _g	8
Figure 9 • Switching Energy vs. Current.....	8
Figure 10 • Capacitance vs. Drain Source Voltage.....	8
Figure 11 • Gate Charge vs. Gate Source Voltage.....	8
Figure 12 • Body Diode Characteristics, T _J = 25 °C.....	8
Figure 13 • 3rd Quadrant Characteristics, T _J = 25 °C.....	8
Figure 14 • Body Diode Characteristics, T _J = 175 °C.....	9
Figure 15 • 3rd Quadrant Characteristics, T _J = 175 °C.....	9
Figure 16 • Operating Frequency vs. Drain Current.....	9
Figure 17 • Maximum Thermal Impedance.....	10
Figure 18 • Forward Characteristics.....	10
Figure 19 • Capacitance vs. Reverse Voltage.....	10
Figure 20 • Package Outline.....	11

1 Revision History

The revision history describes the changes that were implemented in the document. The changes are listed by revision, starting with the most current publication.

1.1 Revision 1.0

Revision 1.0 is the first publication of this document, published in January 2020.

2 Product Overview

The MSCSM120AM027CD3AG is a phase leg 1200 V, 733 A full Silicon Carbide power module.

Figure 1 • MSCSM120AM027CD3AG Electrical Schematic

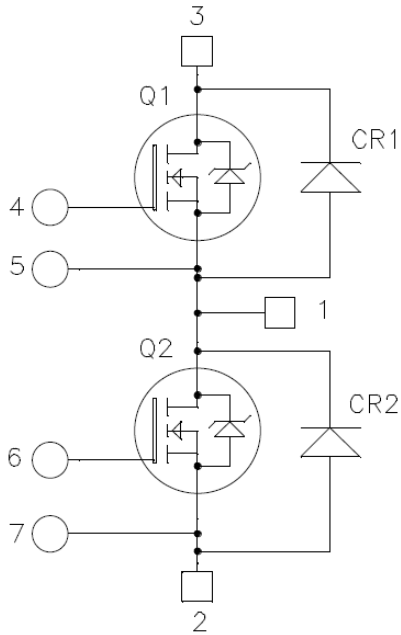
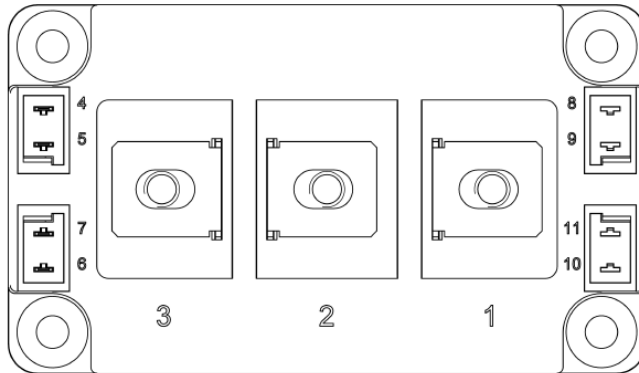


Figure 2 • MSCSM120AM027CD3AG Pinout Location



All ratings at $T_j = 25\text{ }^\circ\text{C}$ unless otherwise specified.

Caution: These devices are sensitive to electrostatic discharge. Proper handling procedures should be followed.

2.1 Features

The following are key features of the MSCSM120AM027CD3AG device:

- SiC Power MOSFET
 - Low RDS(on)
 - High temperature performance
- Silicon carbide (SiC) Schottky diode
 - Zero reverse recovery
 - Zero forward recovery
 - Temperature-independent switching behavior
 - Positive temperature coefficient on VF
- Kelvin emitter for easy drive
- High level of integration
- Aluminum nitride (AlN) substrate for improved thermal performance
- M6 power connectors

2.2 Benefits

The following are benefits of the MSCSM120AM027CD3AG device:

- High efficiency converter
- Stable temperature behavior
- Direct mounting to heatsink (isolated package)
- Low junction-to-case thermal resistance
- RoHS Compliant

2.3 Applications

The MSCSM120AM027CD3AG device is designed for the following applications:

- Welding converters
- Switched Mode Power Supplies
- Uninterruptible Power Supplies
- EV motor and traction drive

3 Electrical Specifications

This section shows the electrical specifications of the MSCSM120AM027CD3AG device.

3.1 SiC MOSFET Characteristics (Per MOSFET)

This section describes the electrical characteristics of the MSCSM120AM027CD3AG device.

Table 1 • Absolute Maximum Ratings

Symbol	Parameter	Maximum Ratings	Unit
V_{DSS}	Drain-source voltage	1200	V
I_D	Continuous drain current	$T_C = 25\text{ }^\circ\text{C}$	733 ¹
		$T_C = 80\text{ }^\circ\text{C}$	584 ¹
I_{DM}	Pulsed drain current	1400	
V_{GS}	Gate-source voltage	-10/25	V
R_{Dson}	Drain-source ON resistance	3.5	m Ω
P_D	Power dissipation	$T_C = 25\text{ }^\circ\text{C}$	2970

Note:

1. Specification of SiC MOSFET device but output current must be limited due to the size of power connectors.

Table 2 • Electrical Characteristics

Symbol	Characteristic	Test Conditions	Min	Typ	Max	Unit
I_{DSS}	Zero gate voltage drain current	$V_{GS} = 0\text{ V}; V_{DS} = 1200\text{ V}$		90	900	μA
R_{Dson}	Drain-source on resistance	$V_{GS} = 20\text{ V}$ $I_D = 360\text{ A}$	$T_J = 25\text{ }^\circ\text{C}$	2.78	3.5	m Ω
			$T_J = 175\text{ }^\circ\text{C}$	4.45		
$V_{GS(th)}$	Gate threshold voltage	$V_{GS} = V_{DS}, I_D = 9\text{ mA}$	1.8	2.8		V
I_{GSS}	Gate-source leakage current	$V_{GS} = 20\text{ V}, V_{DS} = 0\text{ V}$			900	nA

Table 3 • Dynamic Characteristics

Symbol	Characteristic	Test Conditions	Min	Typ	Max	Unit
C_{iss}	Input capacitance	$V_{GS} = 0\text{ V}$ $V_{DS} = 1000\text{ V}$ $f = 1\text{ MHz}$		27		nF
C_{oss}	Output capacitance			2.43		
C_{rss}	Reverse transfer capacitance			0.23		
Q_g	Total gate charge	$V_{GS} = -5/20\text{ V}$ $V_{Bus} = 800\text{ V}$ $I_D = 360\text{ A}$		2088		nC
Q_{gs}	Gate-source charge			369		
Q_{gd}	Gate-drain charge			450		
$T_{d(on)}$	Turn-on delay time	$V_{GS} = -5/20\text{ V}$ $V_{Bus} = 600\text{ V}$ $I_D = 450\text{ A}$ $T_J = 150\text{ }^\circ\text{C}$ $R_{Gon} = 0.9\Omega$; $R_{Goff} = 0.5\Omega$		56		ns
T_r	Rise time			55		
$T_{d(off)}$	Turn-off delay time			166		
T_f	Fall time			67		
E_{on}	Turn on energy	Inductive Switching $V_{GS} = -5/20\text{ V}$ $V_{Bus} = 600\text{ V}$ $I_D = 450\text{ A}$ $R_{Gon} = 0.9\Omega$ $R_{Goff} = 0.5\Omega$	$T_J = 150\text{ }^\circ\text{C}$	9.2		mJ
E_{off}	Turn off energy		$T_J = 150\text{ }^\circ\text{C}$	8.2		mJ
R_{Gint}	Internal gate resistance			0.65		Ω
R_{thJC}	Junction-to-case thermal resistance				0.051	$^\circ\text{C/W}$

Table 4 • Body Diode Ratings and Characteristics

Symbol	Characteristic	Test Conditions	Min	Typ	Max	Unit
V_{SD}	Diode forward voltage	$V_{GS} = 0\text{ V}$; $I_{SD} = 360\text{ A}$		4		V
		$V_{GS} = -5\text{ V}$; $I_{SD} = 360\text{ A}$		4.2		
t_{rr}	Reverse recovery time	$I_{SD} = 360\text{ A}$; $V_{GS} = -5\text{ V}$; $V_R = 600\text{ V}$; $diF/dt = 9000\text{ A}/\mu\text{s}$		90		ns
Q_{rr}	Reverse recovery charge			4950		nC
I_{rr}	Reverse recovery current				122	

3.2 SiC Schottky Diode Ratings Characteristics (Per SiC Diode)

This section shows the SiC Schottky diode ratings and characteristics of the device.

Table 5 • SiC Schottky Diode Ratings and Characteristics

Symbol	Characteristic	Test Conditions	Min	Typ	Max	Unit
V_{RRM}	Peak repetitive reverse voltage				1200	V
I_{RRM}	Reverse leakage current	$V_R = 1200\text{ V}$	$T_J = 25\text{ °C}$	90	1800	μA
			$T_J = 175\text{ °C}$		1350	
I_F	Forward current			270		A
V_F	Diode forward voltage	$I_F = 270\text{ A}$	$T_J = 25\text{ °C}$	1.5	1.8	V
			$T_J = 175\text{ °C}$		2.1	
Q_C	Total capacitive charge	$V_R = 600\text{ V}$		1170		nC
C	Total capacitance	$f = 1\text{ MHz}, V_R = 400\text{ V}$		1269		pF
		$f = 1\text{ MHz}, V_R = 800\text{ V}$		945		
R_{thJC}	Junction-to-case thermal resistance				0.12	$^{\circ}\text{C/W}$

3.3 Thermal and Package Characteristics

This section shows the thermal and package characteristics of the MSCSM120AM027CD3AG device.

Table 6 • Package Characteristics

Symbol	Characteristic	Min	Max	Unit		
V_{ISOL}	RMS isolation voltage, any terminal to case $t = 1\text{ min}, 50/60\text{Hz}$	4000		V		
T_J	Operating junction temperature range	-40	175	$^{\circ}\text{C}$		
T_{JOP}	Recommended junction temperature under switching conditions	-40	$T_{Jmax} - 25$	$^{\circ}\text{C}$		
T_{STG}	Storage temperature range	-40	125	$^{\circ}\text{C}$		
T_C	Operating case temperature	-40	125	$^{\circ}\text{C}$		
Torque	Mounting torque	For terminals	M6	3	5	N.m
		To heatsink	M6	3	5	
Wt	Package weight		350	g		

3.4 Typical SiC MOSFET Performance Curves

This section shows the typical performance curves of the MSCSM120AM027CD3AG SiC MOSFET.

Figure 3 • Maximum Thermal Impedance

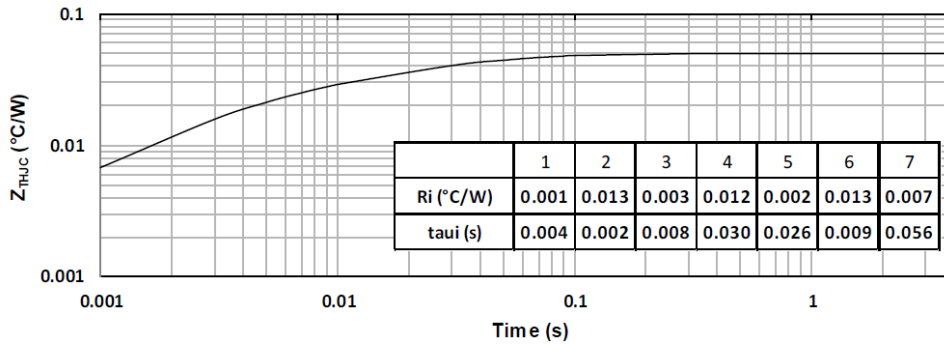


Figure 4 • Output Characteristics, T_J = 25 °C

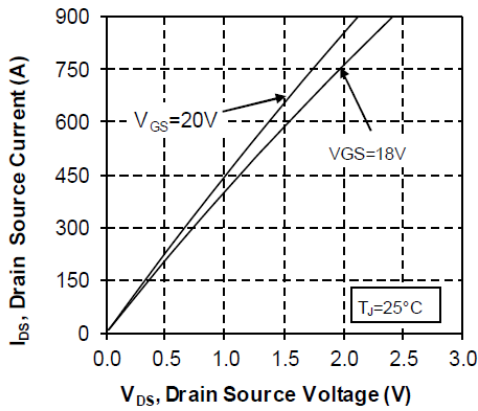


Figure 5 • Output Characteristics, T_J = 175 °C

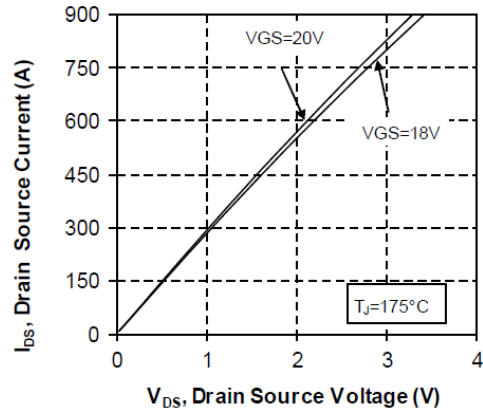


Figure 6 • Normalized R_{DS(on)} vs. Temperature

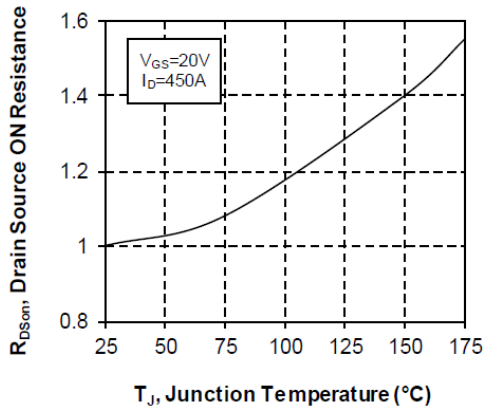


Figure 7 • Transfer Characteristics

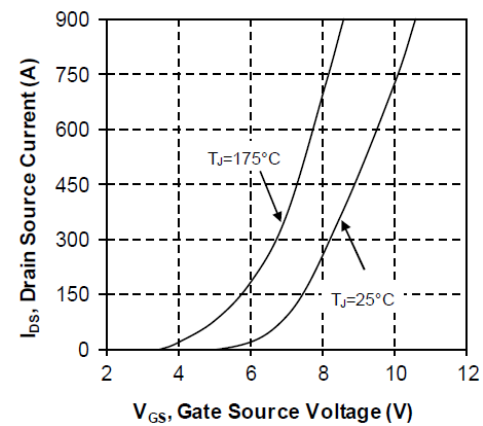


Figure 8 • Switching Energy vs. R_g

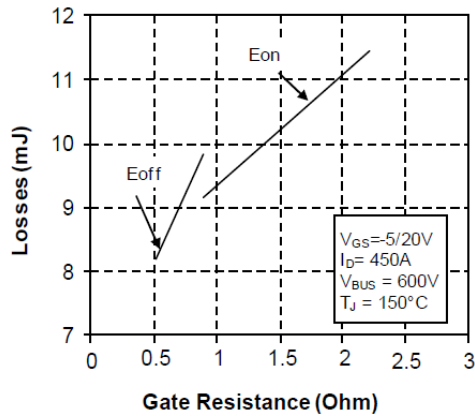


Figure 9 • Switching Energy vs. Current

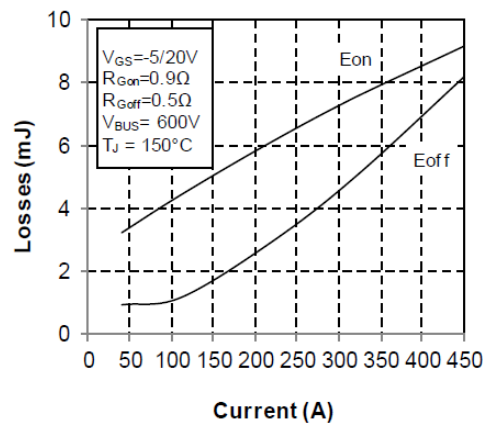


Figure 10 • Capacitance vs. Drain Source Voltage

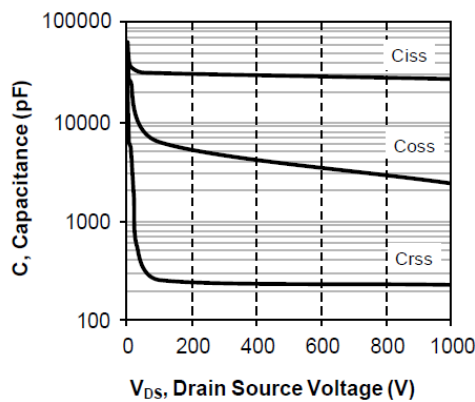


Figure 11 • Gate Charge vs. Gate Source Voltage

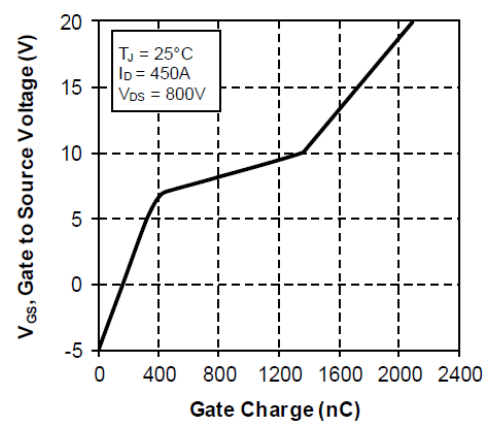


Figure 12 • Body Diode Characteristics, T_J = 25 °C

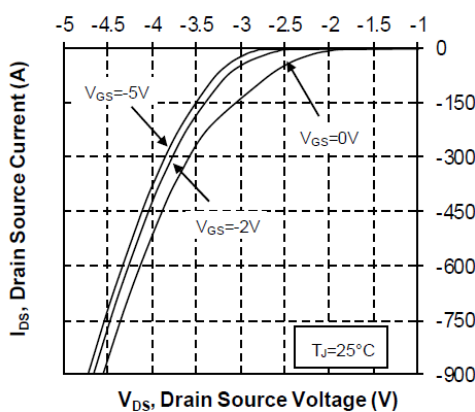


Figure 13 • 3rd Quadrant Characteristics, T_J = 25 °C

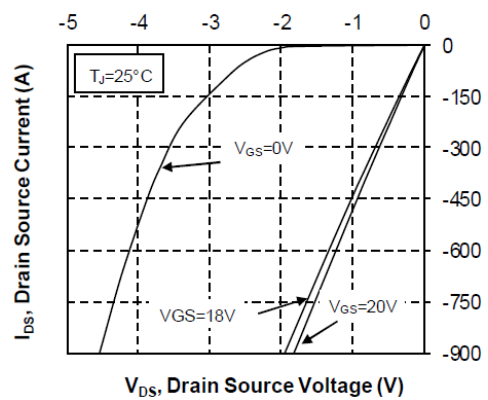


Figure 14 • Body Diode Characteristics, $T_J = 175^\circ\text{C}$

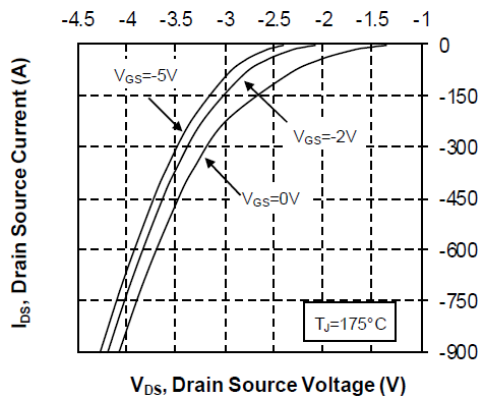


Figure 15 • 3rd Quadrant Characteristics, $T_J = 175^\circ\text{C}$

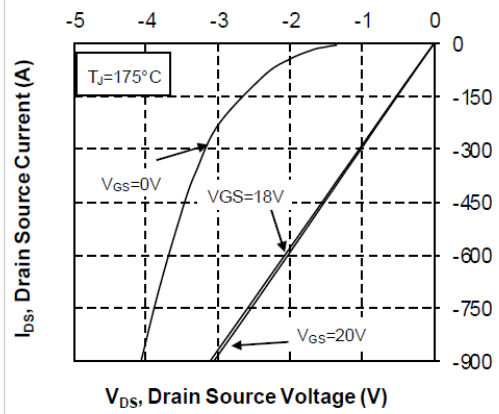
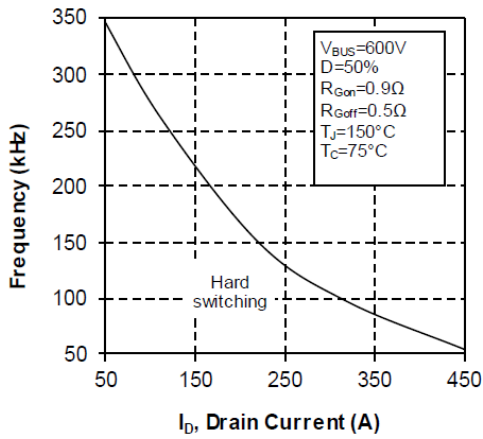


Figure 16 • Operating Frequency vs. Drain Current



3.5 Typical SiC Diode Performance Curves

This section shows the typical performance curves of the MSCSM120AM027CD3AG SiC diode.

Figure 17 • Maximum Thermal Impedance

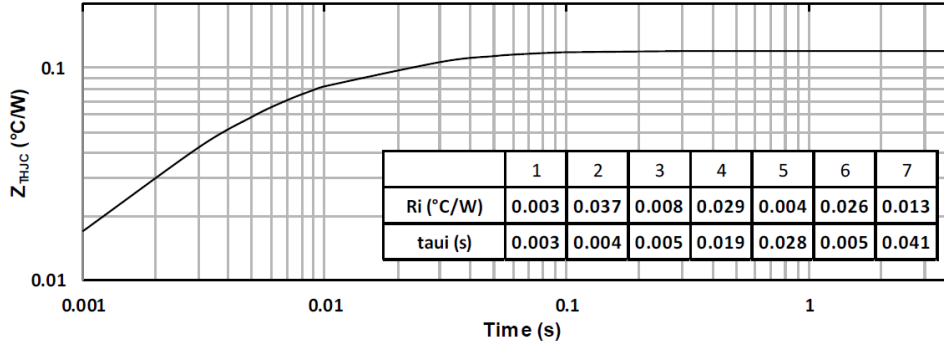


Figure 18 • Forward Characteristics

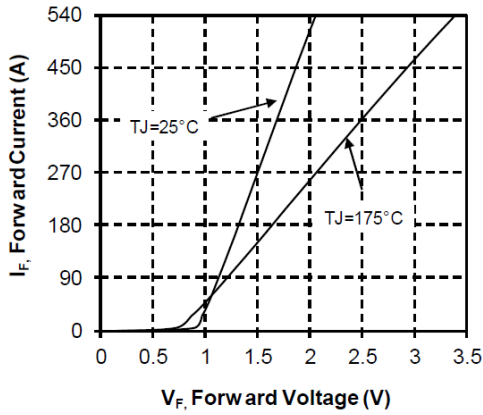
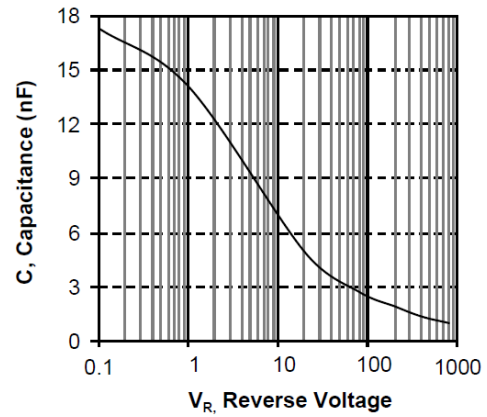


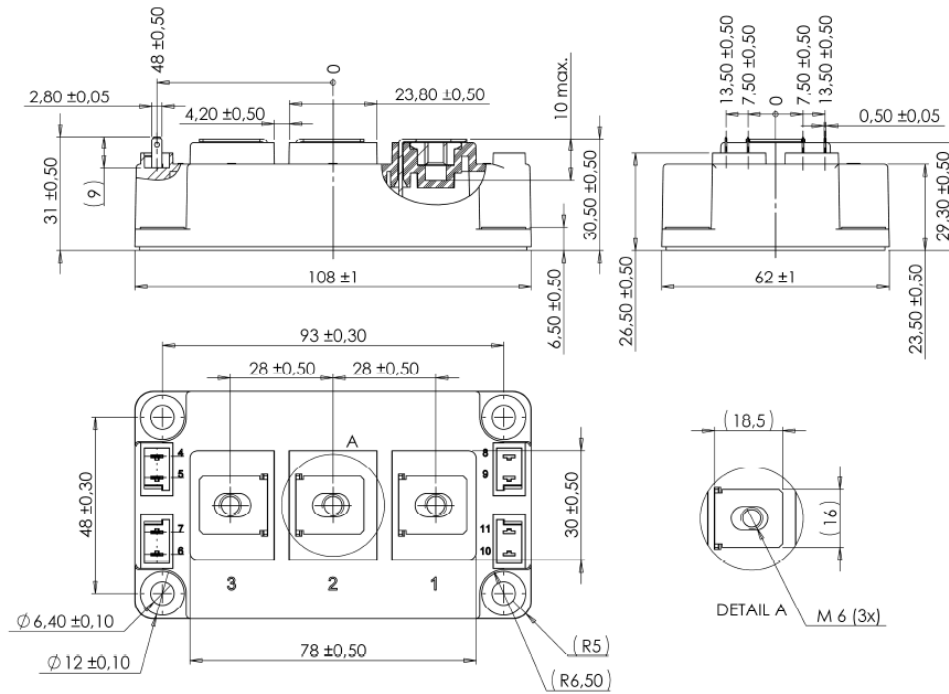
Figure 19 • Capacitance vs. Reverse Voltage



4 Package Specifications

This section shows the package outline of the MSCSM120AM027CD3AG device. All dimensions are in millimeters.

Figure 20 • Package Outline



See application note 1908 – Mounting instructions for D3 and D4 power modules on www.microsemi.com.

**Microsemi**

2355 W. Chandler Blvd.
 Chandler, AZ 85224 USA

Within the USA: +1 (480) 792-7200
 Fax: +1 (480) 792-7277

www.microsemi.com © 2020 Microsemi and its corporate affiliates. All rights reserved. Microsemi and the Microsemi logo are trademarks of Microsemi Corporation and its corporate affiliates. All other trademarks and service marks are the property of their respective owners.

Microsemi's product warranty is set forth in Microsemi's Sales Order Terms and Conditions. Information contained in this publication is provided for the sole purpose of designing with and using Microsemi products. Information regarding device applications and the like is provided only for your convenience and may be superseded by updates. Buyer shall not rely on any data and performance specifications or parameters provided by Microsemi. It is your responsibility to ensure that your application meets with your specifications. THIS INFORMATION IS PROVIDED "AS IS." MICROSEMI MAKES NO REPRESENTATIONS OR WARRANTIES OF ANY KIND WHETHER EXPRESS OR IMPLIED, WRITTEN OR ORAL, STATUTORY OR OTHERWISE, RELATED TO THE INFORMATION, INCLUDING BUT NOT LIMITED TO ITS CONDITION, QUALITY, PERFORMANCE, NON-INFRINGEMENT, MERCHANTABILITY OR FITNESS FOR A PARTICULAR PURPOSE. IN NO EVENT WILL MICROSEMI BE LIABLE FOR ANY INDIRECT, SPECIAL, PUNITIVE, INCIDENTAL OR CONSEQUENTIAL LOSS, DAMAGE, COST OR EXPENSE WHATSOEVER RELATED TO THIS INFORMATION OR ITS USE, HOWEVER CAUSED, EVEN IF MICROSEMI HAS BEEN ADVISED OF THE POSSIBILITY OR THE DAMAGES ARE FORESEEABLE. TO THE FULLEST EXTENT ALLOWED BY LAW, MICROSEMI'S TOTAL LIABILITY ON ALL CLAIMS IN RELATED TO THIS INFORMATION OR ITS USE WILL NOT EXCEED THE AMOUNT OF FEES, IF ANY, YOU PAID DIRECTLY TO MICROSEMI FOR THIS INFORMATION. Use of Microsemi devices in life support, mission-critical equipment or applications, and/or safety applications is entirely at the buyer's risk, and the buyer agrees to defend and indemnify Microsemi from any and all damages, claims, suits, or expenses resulting from such use. No licenses are conveyed, implicitly or otherwise, under any Microsemi intellectual property rights unless otherwise stated.

Microsemi Corporation, a subsidiary of Microchip Technology Inc. (Nasdaq: MCHP), and its corporate affiliates are leading providers of smart, connected and secure embedded control solutions. Their easy-to-use development tools and comprehensive product portfolio enable customers to create optimal designs which reduce risk while lowering total system cost and time to market. These solutions serve more than 120,000 customers across the industrial, automotive, consumer, aerospace and defense, communications and computing markets. Headquartered in Chandler, Arizona, the company offers outstanding technical support along with dependable delivery and quality. Learn more at www.microsemi.com.

MSCC-0344-DS-01053-1.0-0120