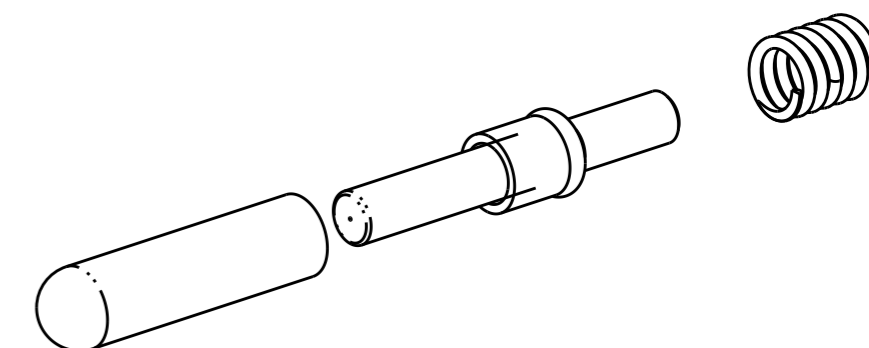


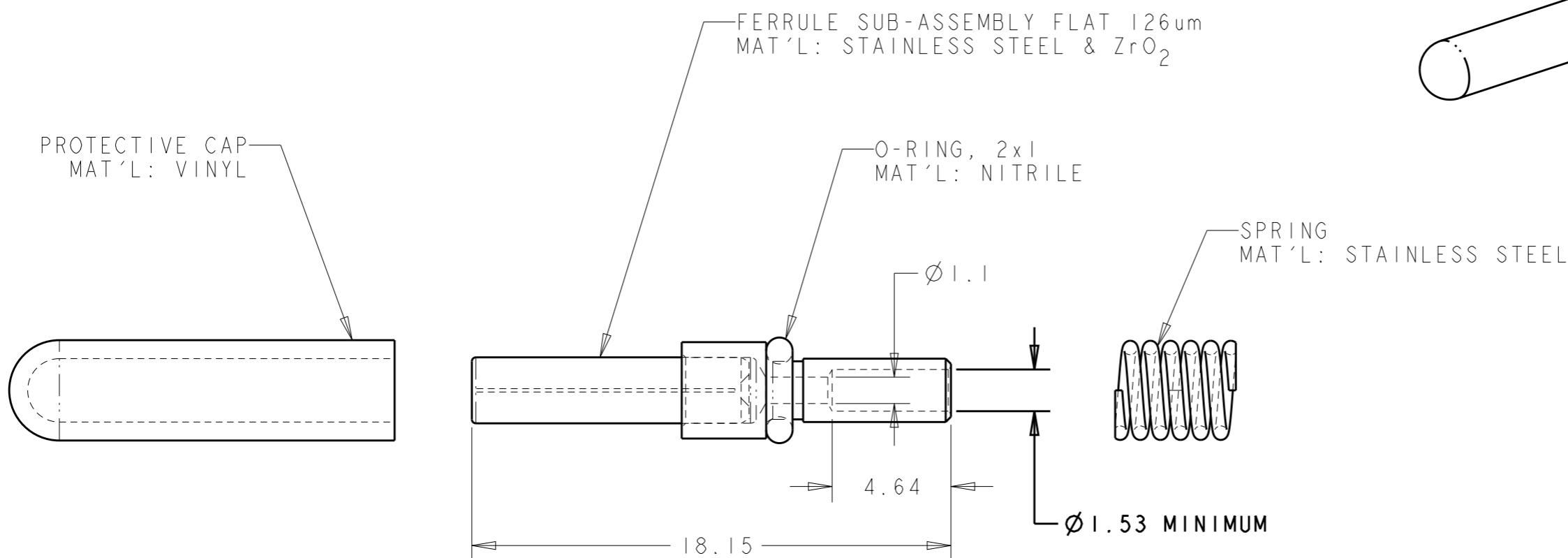
REVISIONS

P	LTR	DESCRIPTION	DATE	DWN	APVD
C		REVISE PER 0A00-0162-04	29APR04	KG	DW
D		ECR-15-003024	01DEC2015	KG	DW
E		ECR-17-000370	13JAN2017	KG	DW
E1		ECR-18-009303	18JUN2018	PHM	DW

1. ALL DIMENSIONS ARE FOR REFERENCE ONLY.



SCALE 3:1



1588700-1

PART NUMBER

THIS DRAWING IS A CONTROLLED DOCUMENT.

DWN K. GLATFELTER 11JUN2002

CHK D. WERTMAN 12JUN02

APVD D. WERTMAN 13JUN02

PRODUCT SPEC -

APPLICATION SPEC -

WEIGHT -

CUSTOMER DRAWING



TE Connectivity

NAME FERRULE KIT, SEALED, MULTIMODE, PRO BEAM JR.

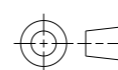
SIZE CAGE CODE DRAWING NO RESTRICTED TO

A300779 C-1588700

SCALE 5:1 SHEET 1 OF 1 REV E1

DIMENSIONS:

mm



TOLERANCES UNLESS OTHERWISE SPECIFIED:

- 0 PLC ±-
- 1 PLC ±-
- 2 PLC ±-
- 3 PLC ±-
- 4 PLC ±-
- ANGLES ±-

MATERIAL AS LISTED

FINISH N/A

# Mouser Electronics

Authorized Distributor

Click to View Pricing, Inventory, Delivery & Lifecycle Information:

[TE Connectivity:](#)

[1588700-1](#)