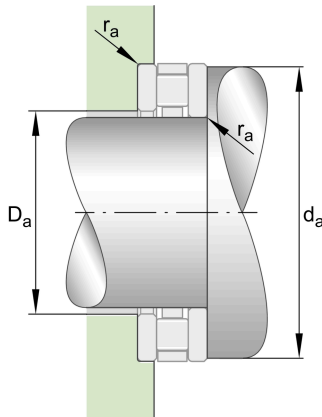
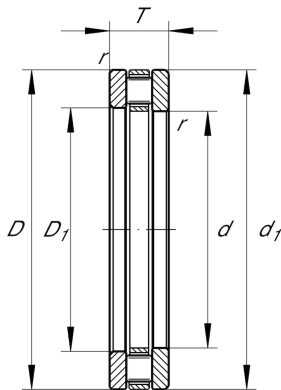
**81184-M**

Axial cylindrical roller bearing

Schaeffler ID:
0016343210000Axial cylindrical roller bearing 811...-M,
single row

Technical information

**Main Dimensions & Performance Data**

d	420 mm	Bore diameter
D	500 mm	Outside diameter
T	65 mm	Height
C_a	1,230,000 N	Basic dynamic load rating, axial
C_{0a}	5,900,000 N	Basic static load rating, axial
C_{ua}	460,000 N	Fatigue load limit, axial
n_G	630 1/min	Limiting speed
n_{gr}	214 1/min	Reference speed
$\approx m$	25.28 kg	Weight

Mounting dimensions

$d_{a \min}$	493 mm	Minimum diameter shaft shoulder
$D_{a \max}$	434 mm	Maximum diameter of housing shoulder
$r_{a \max}$	2 mm	Maximum recess radius

Dimensions

D_1	424 mm	Bore diameter housing washer
d_1	495 mm	Rip diameter shaft washer
r_{\min}	2 mm	Minimum chamfer dimension

Temperature range

T_{\min}	120 °C	Operating temperature min.
T_{\max}	-30 °C	Operating temperature max.

Additional information

K81184-M	Axial roller and cage assembly
GS81184	Housing Washer
WS81184	Shaft washer