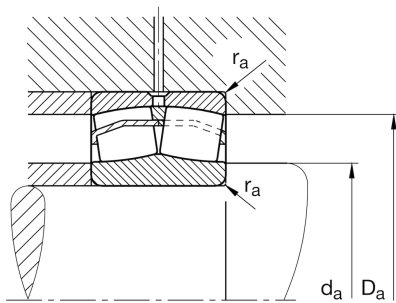
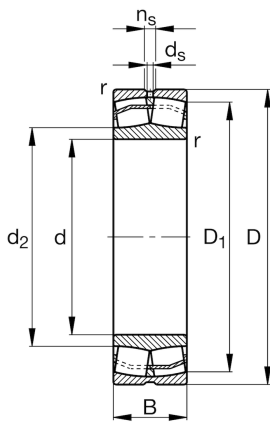


## Technical information



### Main Dimensions & Performance Data

d	100 mm	Bore diameter
D	180 mm	Outside diameter
B	46 mm	Width
C <sub>r</sub>	430,000 N	Basic dynamic load rating, radial
C <sub>0r</sub>	475,000 N	Basic static load rating, radial
C <sub>ur</sub>	53,000 N	Fatigue load limit, radial
n <sub>G</sub>	4,550 1/min	Limiting speed
n <sub>gr</sub>	3,150 1/min	Reference speed
≈m	4.962 kg	Weight

### Mounting dimensions

d <sub>a min</sub>	112 mm	Minimum diameter shaft shoulder
D <sub>a max</sub>	168 mm	Maximum diameter of housing shoulder
r <sub>a max</sub>	2.1 mm	Maximum recess radius

### Dimensions

r <sub>min</sub>	2.1 mm	Minimum chamfer dimension
D <sub>1</sub>	161.4 mm	Bore diameter outer ring
d <sub>2</sub>	119 mm	Raceway diameter of the inner ring
d <sub>s</sub>	4.8 mm	Diameter lubrication hole
n <sub>s</sub>	9.5 mm	Width of lubricating groove

### Temperature range

T <sub>min</sub>	-30 °C	Operating temperature min.
T <sub>max</sub>	200 °C	Operating temperature max.

**Calculation factors**

e	0.24	Limiting value of Fa/Fr for the applicability of diff. Values of factors X and Y
Y <sub>1</sub>	2.84	Dynamic axial load factor
Y <sub>2</sub>	4.23	Dynamic axial load factor
Y <sub>0</sub>	2.78	Static axial load factor