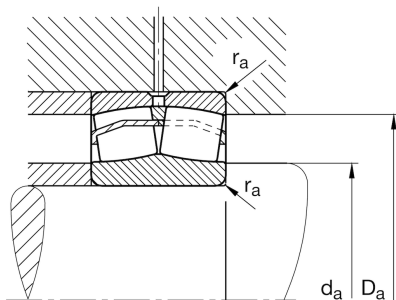
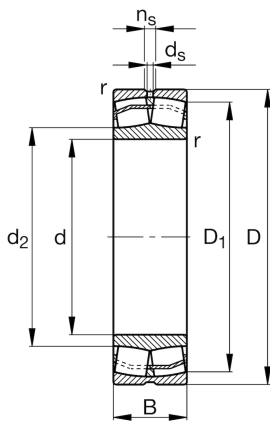


Technical information



23132-E1-XL-TVPB

Spherical Roller Bearing

Schaeffler ID:
0190013710000

Spherical roller bearings 231..-E1, main
dimensions to DIN 635-2

Main Dimensions & Performance Data

d	160 mm	Bore diameter
D	270 mm	Outside diameter
B	86 mm	Width
C_r	1,160,000 N	Basic dynamic load rating, radial
C_{0r}	1,550,000 N	Basic static load rating, radial
C_{ur}	166,000 N	Fatigue load limit, radial
n_G	2,490 1/min	Limiting speed
n_{gr}	1,560 1/min	Reference speed
$\approx m$	18.947 kg	Weight

Mounting dimensions

$d_{a \min}$	172 mm	Minimum diameter shaft shoulder
$D_{a \max}$	258 mm	Maximum diameter of housing shoulder
$r_{a \max}$	2.1 mm	Maximum recess radius

Dimensions

r_{\min}	2.1 mm	Minimum chamfer dimension
D_1	238.3 mm	Bore diameter outer ring
d_2	183.2 mm	Raceway diameter of the inner ring
d_s	8 mm	Diameter lubrication hole
n_s	15 mm	Width of lubricating groove

Temperature range

T_{\min}	-30 °C	Operating temperature min.
T_{\max}	120 °C	Operating temperature max.

Calculation factors

e	0.29	Limiting value of Fa/Fr for the applicability of diff. Values of factors X and Y
Y ₁	2.32	Dynamic axial load factor
Y ₂	3.45	Dynamic axial load factor
Y ₀	2.26	Static axial load factor